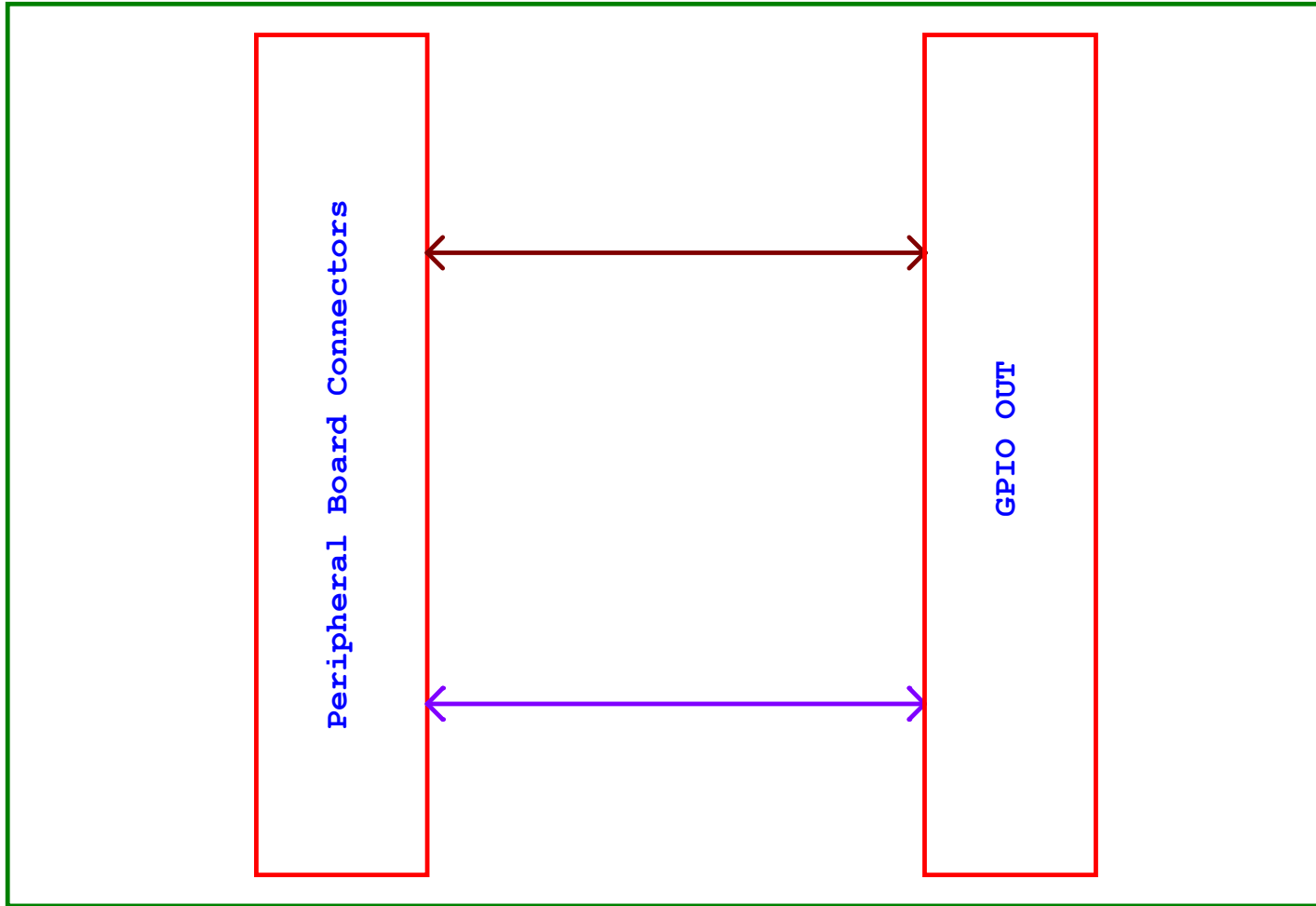

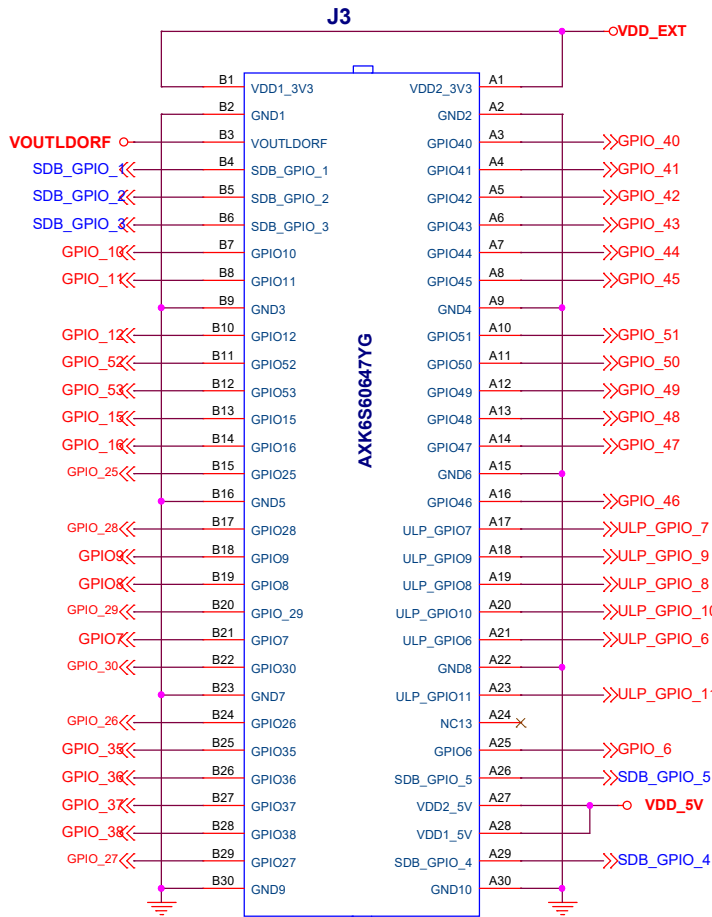


GPIO-PERIPHERAL BOARD

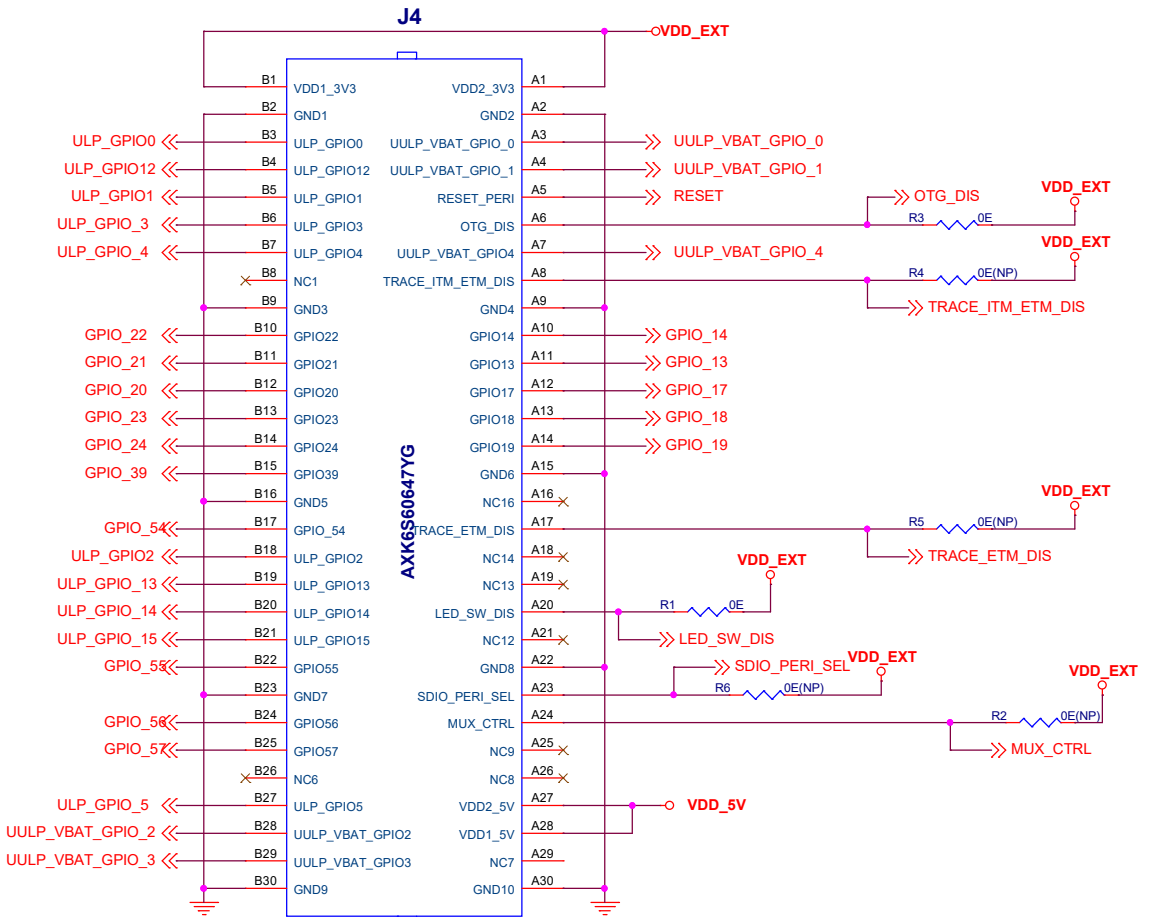


Silicon Labs Confidential

		400 W Cesar Chavez Austin, TX 78701	
Size	Title	GPIO Peripheral Board	
<Part Number>		Document Number	Rev
<Part Number>		Block Diagram	1.2
Date:	Thursday, September 24, 2020	Sheet	1 of 3




Peripheral Board Connector
Left Side

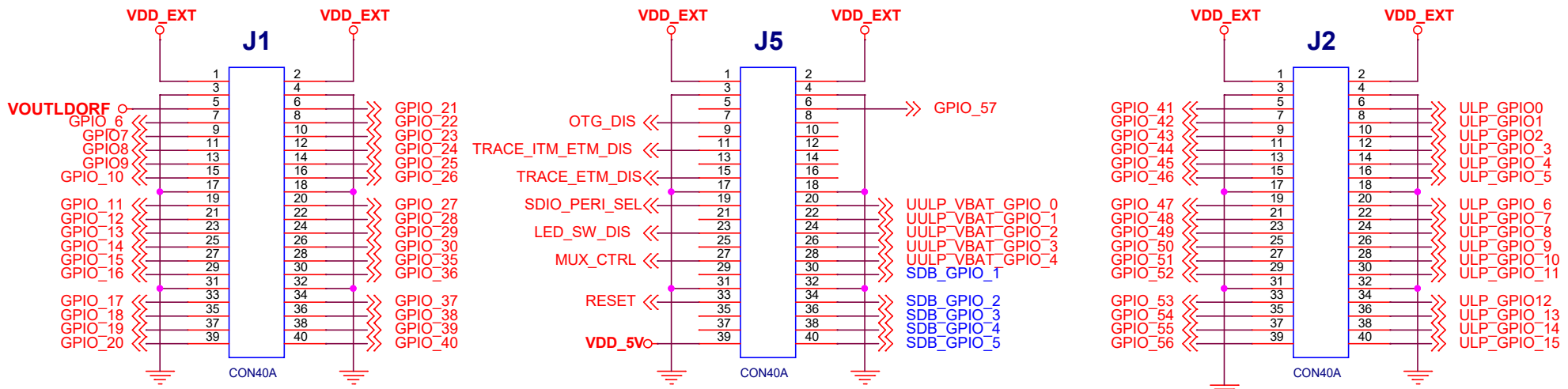


Peripheral Board Connector
Right Side

Peripheral Board Connectors


Silicon Labs Confidential

 400 W Cesar Chavez Austin, TX 78701		GPIO Peripheral Board	
Part Number <Part Number>	Document Number CONNECTORS BOTTOM	Date:	Rev 1.2
Thursday, September 24, 2020		Sheet	2 of 3



GPIO HEADERS

Silicon Labs Confidential

 400 W Cesar Chavez Austin, TX 78701		
Size	Title	
GPIO Peripheral Board		
Part Number <Part Number>	Document Number IO HEADERS	Rev 1.2
Date: Thursday, September 24, 2020		Sheet 3 of 3