

EFR32xG24 2.4 GHz 20 dBm Antenna Diversity Radio Board BRD4188B Reference Manual



The BRD4188B Radio Board enables developers to develop smart home, lighting, building automation, and AI/ML applications. The board contains a 2.4 GHz Wireless Gecko Wireless System-on-Chip and is optimized for operating at 20 dBm output power. Radiated and conducted testing is supported with the on-board printed antenna and UFL connector.

The BRD4188B Radio Board plugs into the Wireless Starter Kit Mainboard, which is included with the Wireless Gecko Starter Kit and gives access to the debug interface, Virtual COM port, packet trace, display, buttons, LEDs, and additional features from expansion boards. With the supporting Simplicity Studio suite of tools, developers can take advantage of graphical wireless application development and visual energy profiling and optimization. The board also serves as an RF reference design for applications targeting 2.4 GHz wireless operation with 20 dBm output power.

This document contains a brief introduction and description of the BRD4188B Radio Board features, focusing on the RF sections and performance.

RADIO BOARD FEATURES

- Wireless SoC:
EFR32MG24B220F1536IM48
 - CPU core: ARM[®] Cortex[®]-M33
 - Flash memory: 1536 kB
 - RAM: 256 kB
- Operation frequency: 2.4 GHz
- Transmit power: 20 dBm
- Two SMA connectors for antenna diversity
- Crystals for LFXO and HFXO: 32.768 kHz and 39 MHz
- 8 Mbit low-power serial flash for over-the-air updates

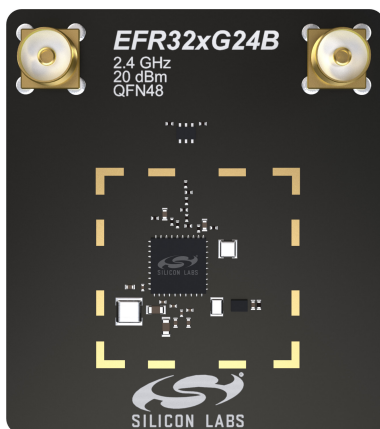


Table of Contents

1. Introduction	4
2. Radio Board Connector	5
2.1 Introduction	5
2.2 Radio Board Connector Pin Associations	5
3. Radio Board Block Summary	6
3.1 Introduction	6
3.2 Radio Board Block Diagram	6
3.3 Radio Board Block Description	6
3.3.1 Wireless MCU	6
3.3.2 LF Crystal Oscillator (LFXO)	6
3.3.3 HF Crystal Oscillator (HFXO)	6
3.3.4 Matching Network for 2.4 GHz	6
3.3.5 SMA Connector	7
3.3.6 Radio Board Connectors	7
3.3.7 Serial Flash	7
3.3.8 Serial EEPROM	7
4. RF Section	8
4.1 Introduction	8
4.2 RF Section Schematic	8
4.2.1 2.4 GHz RF Matching Description	8
4.3 Bill of Materials for the 2.4 GHz Matching Network	8
5. Mechanical Details	9
6. EMC Compliance	10
6.1 Introduction	10
6.2 EMC Regulations for 2.4 GHz	10
6.2.1 ETSI EN 300-328 Emission Limits for the 2400-2483.5 MHz Band	10
6.2.2 FCC15.247 Emission Limits for the 2400-2483.5 MHz Band	10
6.2.3 Applied Emission Limits for the 2.4 GHz Band	10
7. RF Performance	11
7.1 Conducted Power Measurements	11
7.1.1 Conducted Power Measurements with Unmodulated Carrier	11
7.1.2 Conducted Power Measurements with Modulated Carrier	12
7.2 Radiated Power Measurements	12
7.2.1 Maximum Radiated Power Measurements	13
8. EMC Compliance Recommendations	14
8.1 Recommendations for 2.4 GHz ETSI EN 300-328 Compliance	14
8.2 Recommendations for 2.4 GHz FCC 15.247 Compliance	14
9. Board Revision History	15

10. Errata 16
11. Document Revision History 17

1. Introduction

The EFR32 Wireless Gecko Radio Boards provide a development platform (together with the Wireless Starter Kit Mainboard) for the Silicon Labs EFR32 Wireless Gecko Wireless System-on-Chips and serve as reference designs for the matching network of the RF interface.

The BRD4188B Radio Board is designed to operate in the 2400-2483.5 MHz band with the RF matching network optimized for operating at 20 dBm output power.

To develop and/or evaluate the EFR32 Wireless Gecko, the BRD4188B Radio Board can be connected to the Wireless Starter Kit Mainboard to get access to the debug interface, Virtual COM port, packet trace, display, buttons, LEDs, and additional features from expansion boards, and also to evaluate the performance of the RF interface.

2. Radio Board Connector

2.1 Introduction

The board-to-board connector scheme allows access to all EFR32MG24 GPIO pins as well as the RESETn signal. For more information on the functions of the available pins, see the EFR32MG24 data sheet.

2.2 Radio Board Connector Pin Associations

The figure below shows the mapping between the connector and the EFR32MG24 pins and their function on the Wireless Starter Kit Mainboard.

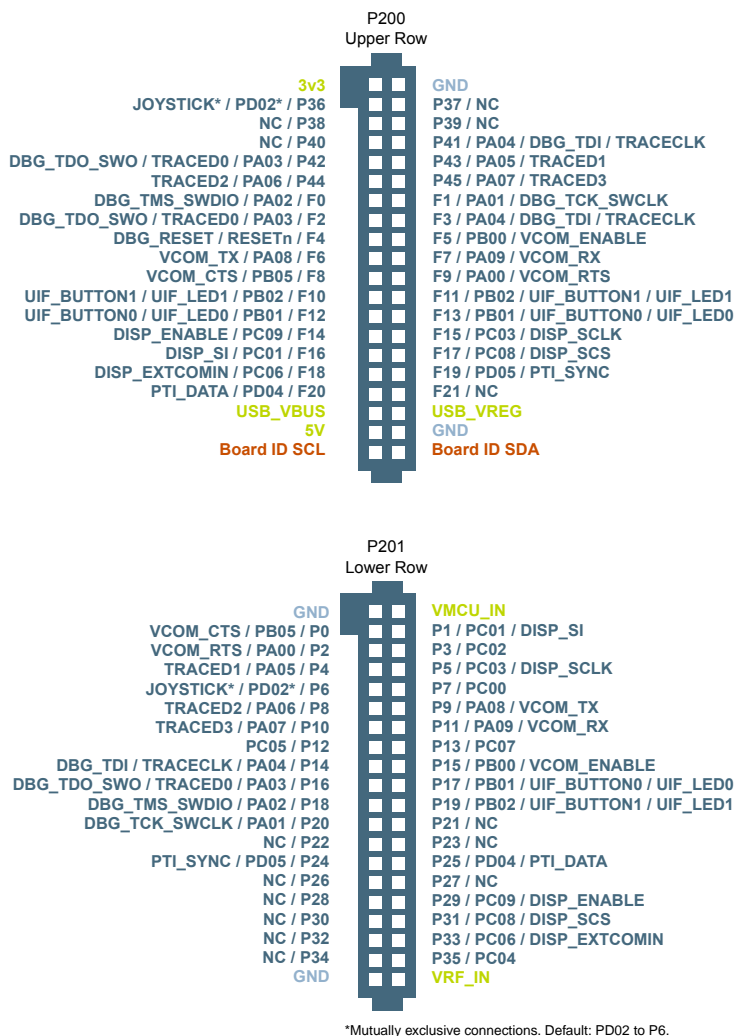


Figure 2.1. BRD4188B Radio Board Connector Pin Mapping

3. Radio Board Block Summary

3.1 Introduction

This section introduces the blocks of the BRD4188B Radio Board.

3.2 Radio Board Block Diagram

The BRD4188B Radio Board block diagram is shown in the figure below.

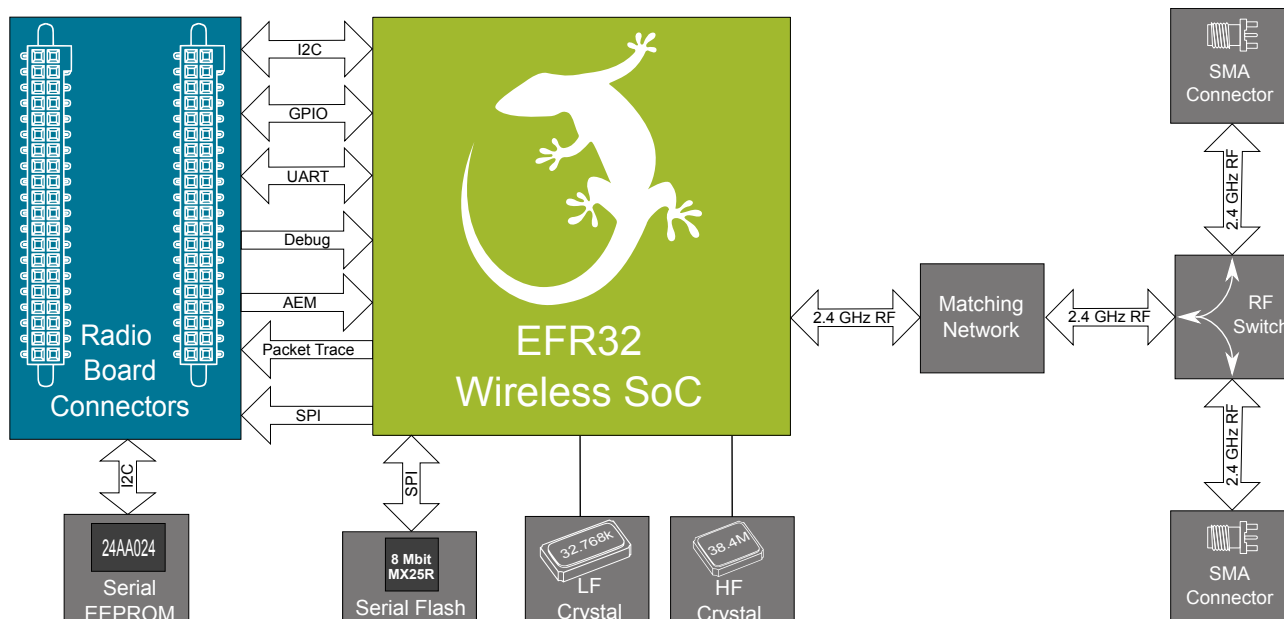


Figure 3.1. BRD4188B Block Diagram

3.3 Radio Board Block Description

3.3.1 Wireless MCU

The BRD4188B Radio Board incorporates an EFR32MG24B220F1536IM48 Wireless System-on-Chip featuring 32-bit Cortex®-M33 core, 1536 kB of flash memory, 256 kB of RAM, and a 2.4 GHz band transceiver with output power up to 20 dBm. For additional information on the EFR32MG24B220F1536IM48, refer to the EFR32MG24 data sheet.

3.3.2 LF Crystal Oscillator (LFXO)

The BRD4188B Radio Board has a 32.768 kHz crystal mounted. For details regarding the crystal configuration, refer to application note [AN0016.2: Oscillator Design Considerations](#).

3.3.3 HF Crystal Oscillator (HFXO)

The BRD4188B Radio Board has a 39 MHz crystal mounted. For details regarding the crystal configuration, refer to application note [AN0016.2: Oscillator Design Considerations](#).

3.3.4 Matching Network for 2.4 GHz

The BRD4188B Radio Board incorporates a 2.4 GHz matching network which connects the 2.4 GHz RF input/output of the EFR32MG24 to the one on-board printed Inverted-F antenna. The component values were optimized for the 2.4 GHz band RF performance and current consumption with 20 dBm output power.

For a detailed description of the matching network, see section [4.2.1 2.4 GHz RF Matching Description](#).

3.3.5 SMA Connector

To be able to perform conducted measurements or mount external antenna for radiated measurements, range tests, etc., Silicon Labs added two SMA connectors to the radio board. The connector allows external 50 Ohm cables or antennas to be connected during design verification or testing.

3.3.6 Radio Board Connectors

Two dual-row, 0.05" pitch polarized connectors make up the BRD4188B Radio Board interface to the Wireless Starter Kit Mainboard.

For more information on the pin mapping between the EFR32MG24B220F1536IM48 and the connectors, refer to section [2.2 Radio Board Connector Pin Associations](#).

3.3.7 Serial Flash

The BRD4188B Radio Board is equipped with an 8-Mbit Macronix MX25R SPI flash that is connected directly to the EFR32MG24 to support over-the-air (OTA) updates. For additional information on the pin mapping, see the BRD4188B schematic.

3.3.8 Serial EEPROM

The BRD4188B Radio Board is equipped with a serial I²C EEPROM for board identification and to store additional, board-related information.

4. RF Section

4.1 Introduction

This section gives a short introduction to the RF section of the BRD4188B Radio Board.

4.2 RF Section Schematic

BRD4188B Radio Board RF section schematic is shown in the following figure.

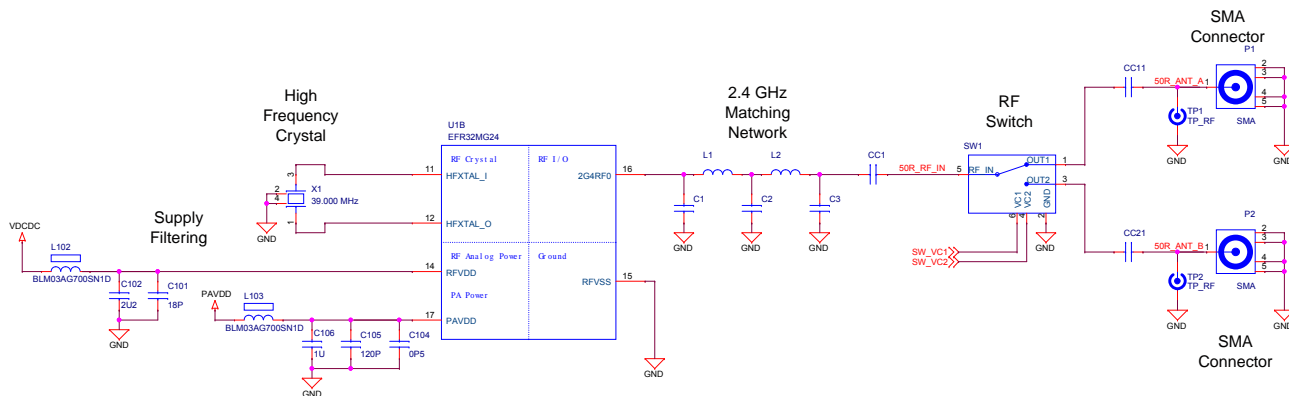


Figure 4.1. BRD4188B RF Section Schematic

4.2.1 2.4 GHz RF Matching Description

The 2.4 GHz RF matching connects the 2G4RF1 pin to the on-board, Single-Pole-Double-Through RF switch. The component values were optimized for the 2.4 GHz band RF performance and current consumption with the targeted 20 dBm output power.

The matching network consists of a five-element impedance matching and harmonic filter circuitry and a DC blocking capacitor (not required for the 20 dBm part, but required for the RF switch).

By the RF switch, the matching network output can be connected to either of the two on-board SMA connectors.

4.3 Bill of Materials for the 2.4 GHz Matching Network

The bill of materials for the BRD4188B Radio Board 2.4 GHz matching network is shown in the following table.

Table 4.1. Bill of Materials for the BRD4188B 2.4 GHz RF Matching Network

Component Name	Value	Manufacturer	Part Number
L1	2.9 nH	Murata	LQP03HQ2N9B02D
L2	1.2 nH	Murata	LQP03HQ1N2W02D
C1	2.3 pF	Murata	GRM0335C1H2R3WA01D
C2	1.6 pF	Murata	GRM0335C1H1R6WA01D
C3	0.3 pF	Murata	GRM0335C1HR30WA01D
CC1	18 pF	Murata	GJM0335C1E180GB01D

5. Mechanical Details

The BRD4188B Radio Board is illustrated in the figures below.

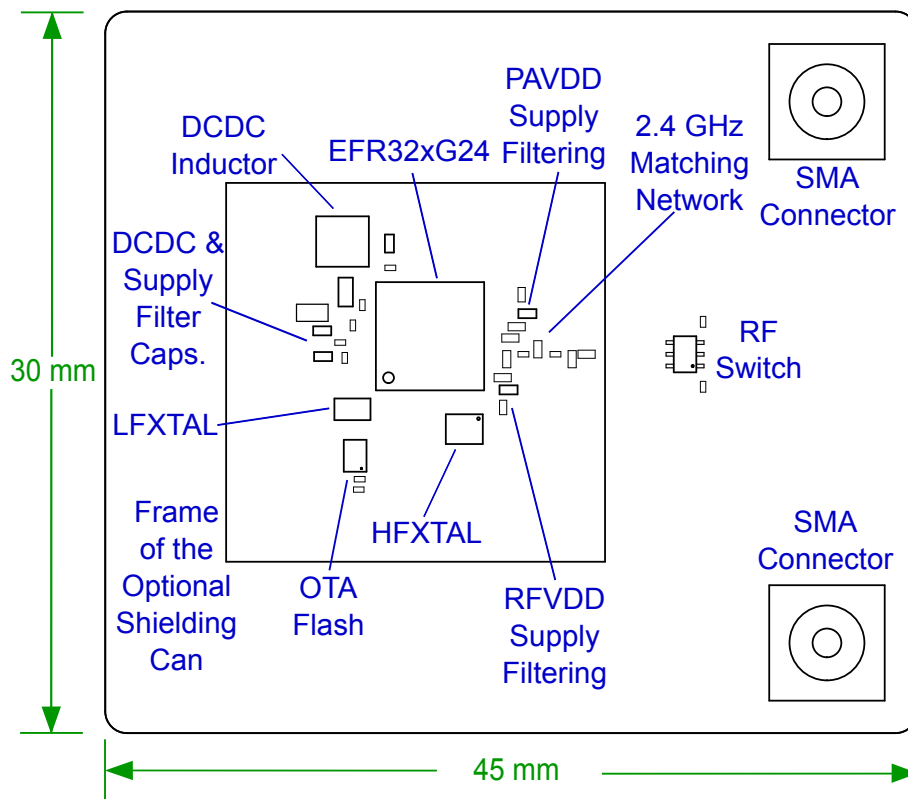


Figure 5.1. BRD4188B Top View

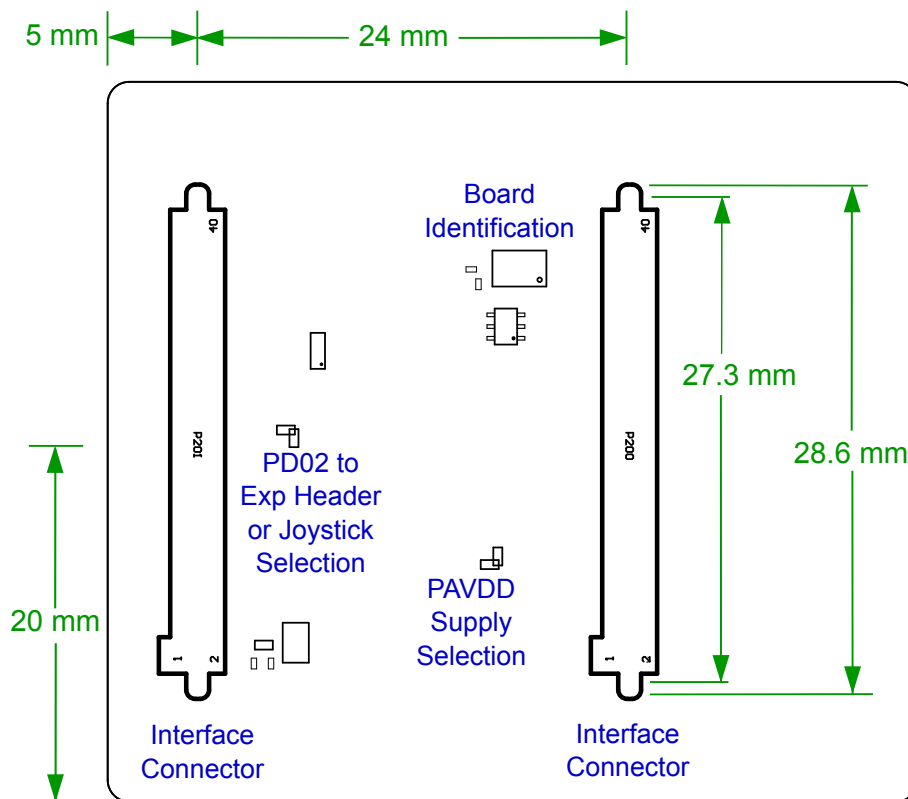


Figure 5.2. BRD4188B Bottom View

6. EMC Compliance

6.1 Introduction

BRD4188B Radio Board fundamental and harmonic levels compliance is tested against the following standards:

- 2.4 GHz:
 - ETSI EN 300-328
 - FCC 15.247

6.2 EMC Regulations for 2.4 GHz

6.2.1 ETSI EN 300-328 Emission Limits for the 2400-2483.5 MHz Band

Based on ETSI EN 300-328, the allowed maximum fundamental power for the 2400-2483.5 MHz band is 20 dBm EIRP. For the unwanted emissions in the 1 GHz to 12.75 GHz domain, the specific limit is -30 dBm EIRP.

6.2.2 FCC15.247 Emission Limits for the 2400-2483.5 MHz Band

FCC 15.247 allows conducted output power up to 1 W (30 dBm) in the 2400-2483.5 MHz band. For spurious emissions, the limit is -20 dBc based on either conducted or radiated measurement, if the emission is not in a restricted band. The restricted bands are specified in FCC 15.205. In these bands, the spurious emission levels must meet the levels set out in FCC 15.209. In the range from 960 MHz to the frequency of the 5th harmonic, it is defined as 0.5 mV/m at 3 m distance, which equals to -41.2 dBm in EIRP.

If operating in the 2400-2483.5 MHz band, the 2nd, 3rd, and 5th harmonics can fall into restricted bands. As a result, for those harmonics the -41.2 dBm limit should be applied. For the 4th harmonic, the -20 dBc limit should be applied.

6.2.3 Applied Emission Limits for the 2.4 GHz Band

The above ETSI limits are applied both for conducted and radiated measurements.

The FCC restricted band limits are radiated limits only. In addition, Silicon Labs applies the same restrictions to the conducted spectrum. By doing so, compliance with the radiated limits can be estimated based on the conducted measurement by assuming the use of an antenna with 0 dB gain at the fundamental and the harmonic frequencies.

The overall applied limits are shown in the table below. For the harmonics that fall into the FCC restricted bands, the FCC 15.209 limit is applied. ETSI EN 300-328 limit is applied for the rest.

Table 6.1. Applied Limits for Spurious Emissions for the 2.4 GHz Band

Harmonic	Frequency	Limit
2nd	4800~4967 MHz	-41.2 dBm
3rd	7200~7450.5 MHz	-41.2 dBm
4th	9600~9934 MHz	-30.0 dBm
5th	12000~12417.5 MHz	-41.2 dBm

7. RF Performance

7.1 Conducted Power Measurements

During measurements, the BRD4188B Radio Board was attached to a Wireless Starter Kit Mainboard, which was supplied by USB. The voltage supply for the radio board (VMCU) and the power amplifier (PAVDD) was 3.3 V.

7.1.1 Conducted Power Measurements with Unmodulated Carrier

The transceiver was operated in unmodulated carrier transmission mode. The output power of the radio was set to 20 dBm. The typical output spectrum is shown in the following figure.

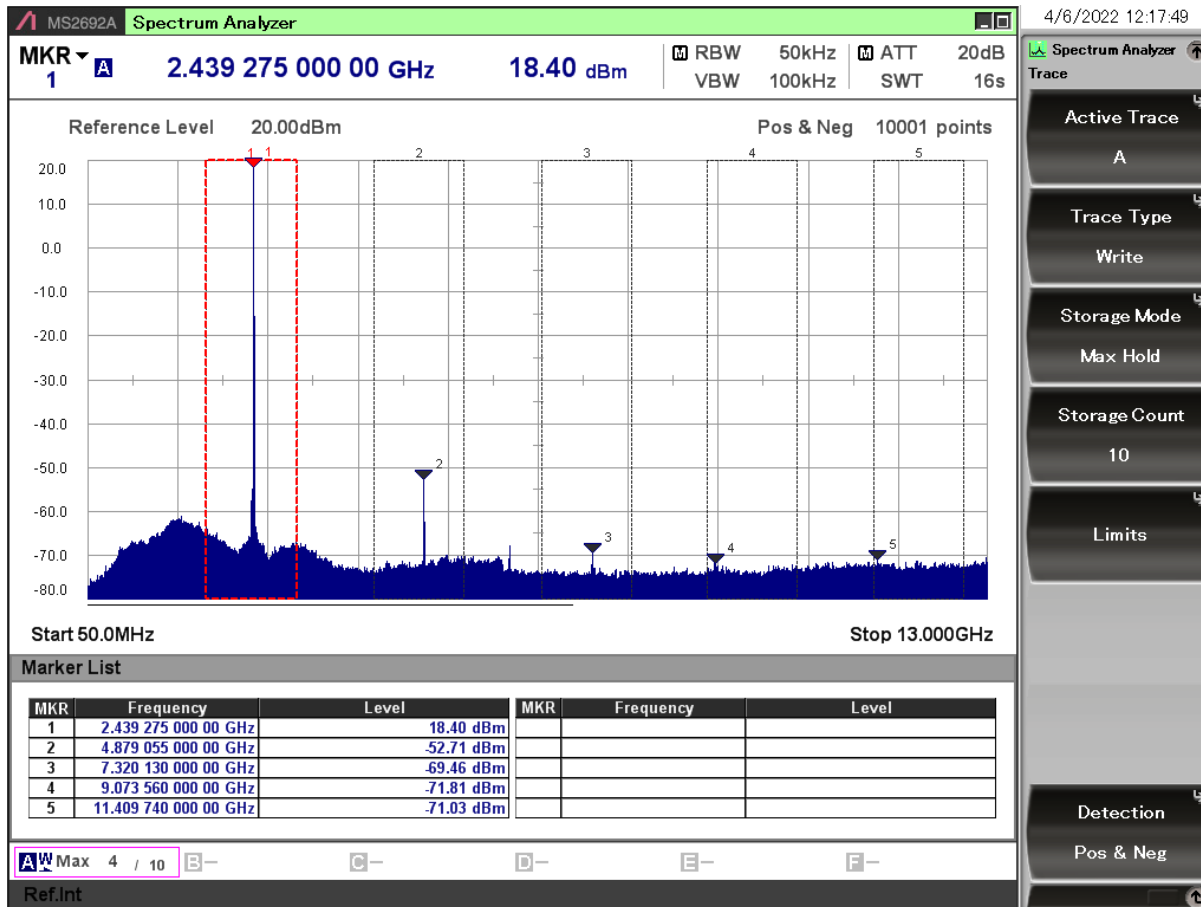


Figure 7.1. Typical Output Spectrum of the BRD4188B; PAVDD = 3.3 V

As shown in the figure, the fundamental is a bit lower than 20 dBm and all of the unwanted emissions are under the -41.2 dBm limit.

Note: The conducted measurement is performed by connecting the on-board UFL connector to a spectrum analyzer through an SMA conversion adapter (P/N: HRMJ-U.FLP(40)). This connection itself introduces approximately 0.3 dB insertion loss.

7.1.2 Conducted Power Measurements with Modulated Carrier

Depending on the applied modulation scheme and the spectrum analyzer settings specified by the relevant EMC regulations, the measured power levels are usually lower compared to the results with unmodulated carrier. These differences are measured and used as relaxation factors on the results of the radiated measurement performed with unmodulated carrier. This way, the radiated compliance with modulated transmission can be evaluated.

In this case, both the ETSI EN 300-328 and the FCC 15.247 regulations define the following spectrum analyzer settings for measuring the unwanted emissions above 1 GHz:

- Detector: Average
- RBW: 1 MHz

The table below shows the measured differences for the supported modulation schemes.

Table 7.1. Measured Relaxation Factors for the Supported Modulation Schemes

Applied Modulation (Packet Length: 255 bytes)	BLE Coded PHY: 125 Kb/s (PRBS9) [dB]	BLE Coded PHY: 500 Kb/s (PRBS9) [dB]	BLE 1M PHY: 1 Mb/s (PRBS9) [dB]	BLE 2M PHY: 2 Mb/s (PRBS9) [dB]
2nd harmonic	-2.7	-3.1	-3.3	-9.1
3rd harmonic	-4.8	-5.2	-5.2	-10.7
4th harmonic	-5.5	-6.5	-6.7	-11.9
5th harmonic	-6.3	-6.5	-6.7	-11.4

As shown, the BLE 125 Kb/s coded modulation scheme has the lowest relaxation factors. These values will be used as the worst case relaxation factors for the radiated measurements.

7.2 Radiated Power Measurements

During measurements, the BRD4188B Radio Board was attached to a Wireless Starter Kit Mainboard which was supplied by USB. The voltage supply for the radio board was 3.3 V. The radiated power was measured in an antenna chamber by rotating the board 360 degrees with horizontal and vertical reference antenna polarizations in the XY, XZ, and YZ cuts. The measurement planes are illustrated in the figure below.

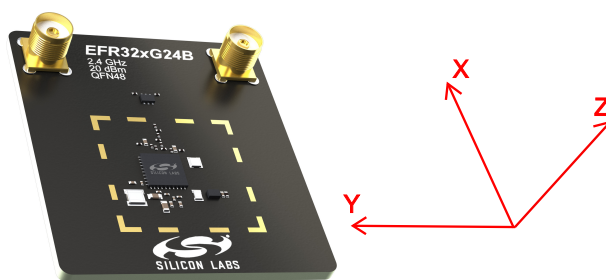


Figure 7.2. Illustration of Reference Planes with a Radio Board

Note: The radiated measurement results presented in this document were recorded in an unlicensed antenna chamber. Also, the radiated power levels may change depending on the actual application (PCB size, antenna used, and so on). Therefore, the absolute levels and margins of the final application are recommended to be verified in a licensed EMC testhouse.

7.2.1 Maximum Radiated Power Measurements

During the measurement, bendable whip antennas (P/N: KLS1-WIFI-2.4G-04-MS) were attached to both of the BRD4188B Radio Board SMA connectors. The on-chip DC-DC converter provided 1.8 V power supply for the RF section (RFVDD). For the 2.4 GHz power amplifier (PAVDD), 3.3 V supply was provided by the VMCU line. For details, see the BRD4188B schematic. The transceiver was operated in unmodulated carrier transmission mode. The output power of the radio was set to 20 dBm based on the conducted measurement.

The orientation of the whip antennas is shown in the figure below. The antenna connected to the right side SMA connector was used as the transmitter antenna.



Figure 7.3. Illustration of the Antenna Orientations Radio Board

The results are shown in the tables below. The correction factors are applied based on the BLE 125 Kb/s coded modulation, shown in section 7.1.2 [Conducted Power Measurements with Modulated Carrier](#). For the rest of the supported modulation schemes, the correction factors are larger, thus the related calculated margins would be higher compared to the ones shown in the table below. Thus, the margins below can be considered as worst case margins.

Table 7.2. Maximums of the Measured Radiated Powers in EIRP [dBm] and the Calculated Modulated Margins in [dB] with the Wireless Starter Kit Mainboard; PAVDD = 3.3 V

Frequency (2440 MHz)	Measured Un-modulated EIRP [dBm]	Orientation	BLE 125 Kb/s Coded Modulation			Limit in EIRP [dBm]
			Correction Factor [dB]	Calculated Modulated EIRP [dBm]	Modulated Margin [dB]	
Fund	22.5	XZ/H	NA (0 is used)	22.5	7.5	30.0
2nd	-46.7	XZ/V	-2.7	-49.7	-8.2	-41.2
3rd	-40.9	YZ/H	-4.8	-45.7	-4.5	-41.2
4th	-54.3	XZ/V	-5.5	-59.8	-29.8	-30.0
5th	-39.9	XZ/V	-6.3	-46.2	-5.0	-41.2

As shown in the table, with 20 dBm output power, the radiated power of the fundamental is higher than 20 dBm due to the high antenna gain. The 3rd and the 5th harmonics are above the limit with the Wireless Starter Kit Mainboard in case of the unmodulated carrier transmission. But with the relaxation of the supported modulation schemes, the margins are 4.5 dB and 5.0 dB, respectively.

8. EMC Compliance Recommendations

8.1 Recommendations for 2.4 GHz ETSI EN 300-328 Compliance

As shown in section [7.2 Radiated Power Measurements](#), the power of the BRD4188B fundamental with 20 dBm output exceeds the 20 dBm limit of the ETSI EN 300-328 regulation during the radiated power measurement due to the high antenna gain. To be compliant, the fundamental power must be reduced by approximately 2.5 dB. The harmonics are compliant with the relevant limits even with the maximum output power. Although the BRD4188B Radio Board has an option for mounting a shielding can, it is not required for compliance.

8.2 Recommendations for 2.4 GHz FCC 15.247 Compliance

As shown in section [7.2 Radiated Power Measurements](#), the power of the BRD4188B fundamental with 20 dBm output is compliant with the 20 dBm limit of the ETSI EN 300-328 regulation. With the supported modulation schemes, the harmonics are also compliant with the relevant limits. Although the BRD4188B Radio Board has an option for mounting a shielding can, it is not required for compliance.

9. Board Revision History

The board revision is laser engraved in the Board Info field on the bottom side of the PCB, as outlined in the figure below. The revision printed on the silkscreen is the PCB revision.

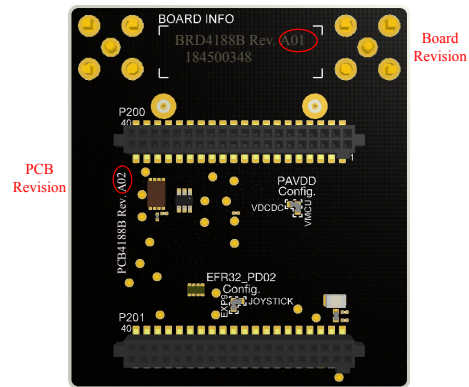


Figure 9.1. Revision Info

Table 9.1. BRD4188B Radio Board Revision History

Board Revision	Description
A01	U1 with new factory calibrations, C3 mounted.
A00	Initial release

10. Errata

Table 10.1. BRD4188B Radio Board Errata

Board Revision	Problem	Description
A00-A01	Slightly reduced fundamental power.	The SMA connector pin has a small keep-out to the ground planes, which introduces impedance mismatch, so the output power measured at the SMA connector is reduced by approx. 0.5 dB.

11. Document Revision History

Revision 1.0

May, 2022

- Initial document release.

Simplicity Studio

One-click access to MCU and wireless tools, documentation, software, source code libraries & more. Available for Windows, Mac and Linux!



IoT Portfolio

www.silabs.com/loT



SW/HW

www.silabs.com/simplicity



Quality

www.silabs.com/quality



Support & Community

www.silabs.com/community

Disclaimer

Silicon Labs intends to provide customers with the latest, accurate, and in-depth documentation of all peripherals and modules available for system and software implementers using or intending to use the Silicon Labs products. Characterization data, available modules and peripherals, memory sizes and memory addresses refer to each specific device, and "Typical" parameters provided can and do vary in different applications. Application examples described herein are for illustrative purposes only. Silicon Labs reserves the right to make changes without further notice to the product information, specifications, and descriptions herein, and does not give warranties as to the accuracy or completeness of the included information. Without prior notification, Silicon Labs may update product firmware during the manufacturing process for security or reliability reasons. Such changes will not alter the specifications or the performance of the product. Silicon Labs shall have no liability for the consequences of use of the information supplied in this document. This document does not imply or expressly grant any license to design or fabricate any integrated circuits. The products are not designed or authorized to be used within any FDA Class III devices, applications for which FDA premarket approval is required, or Life Support Systems without the specific written consent of Silicon Labs. A "Life Support System" is any product or system intended to support or sustain life and/or health, which, if it fails, can be reasonably expected to result in significant personal injury or death. Silicon Labs products are not designed or authorized for military applications. Silicon Labs products shall under no circumstances be used in weapons of mass destruction including (but not limited to) nuclear, biological or chemical weapons, or missiles capable of delivering such weapons. Silicon Labs disclaims all express and implied warranties and shall not be responsible or liable for any injuries or damages related to use of a Silicon Labs product in such unauthorized applications.

Trademark Information

Silicon Laboratories Inc.®, Silicon Laboratories®, Silicon Labs®, SiLabs® and the Silicon Labs logo®, Bluegiga®, Bluegiga Logo®, ClockBuilder®, CMEMS®, DSPLL®, EFM®, EFM32®, EFR, Ember®, Energy Micro, Energy Micro logo and combinations thereof, "the world's most energy friendly microcontrollers", Ember®, EZLink®, EZRadio®, EZRadioPRO®, Gecko®, Gecko OS, Gecko OS Studio, ISOModem®, Precision32®, ProSLIC®, Simplicity Studio®, SiPHY®, Telegesis, the Telegesis Logo®, USBXpress®, Zentri, the Zentri logo and Zentri DMS, Z-Wave®, and others are trademarks or registered trademarks of Silicon Labs. ARM, CORTEX, Cortex-M3 and THUMB are trademarks or registered trademarks of ARM Holdings. Keil is a registered trademark of ARM Limited. Wi-Fi is a registered trademark of the Wi-Fi Alliance. All other products or brand names mentioned herein are trademarks of their respective holders.



Silicon Laboratories Inc.
400 West Cesar Chavez
Austin, TX 78701
USA

<http://www.silabs.com>