



EFM32PG12 Pearl Gecko STK	
Board Function	Page
Title Page	1
User Interface	2
EFM32 Signal Assignments	3
EFM32 Power	4
EFM32 I/O	5
STK Board Controller	6
Advanced Energy Monitor	7
Debug Interface	8
Board Controller	9
Power & Misc	10

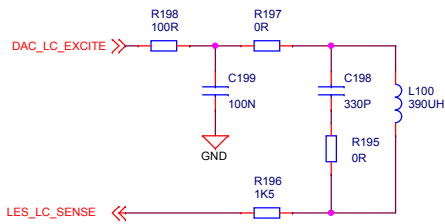
Revision History	
Rev.	Description
A00	Initial release
A01	Changed to rev B of EFM32

LEGAL NOTICE:
 SILICON LABORATORIES INC. ("SILICON LABS") AND/OR ITS LICENSORS DO NOT WARRANT THE ACCURACY OR COMPLETENESS OF THIS SCHEMATIC OR ANY INFORMATION CONTAINED WITHIN THIS SCHEMATIC. IT IS PROVIDED "AS-IS" FOR REFERENCE ONLY. SILICON LABS DOES NOT WARRANT THAT THIS DESIGN WILL MEET THE SPECIFICATIONS, BE SUITABLE FOR YOUR APPLICATION OR FIT FOR ANY PARTICULAR PURPOSE, OR WILL OPERATE IN YOUR IMPLEMENTATION. SILICON LABS AND ITS LICENSORS DO NOT WARRANT THAT THE DESIGN IMPLIED IN THIS SCHEMATIC IS PRODUCTION-WORTHY. YOU SHOULD COMPLETELY VALIDATE AND TEST YOUR DESIGN IMPLEMENTATION TO CONFIRM SYSTEM FUNCTIONALITY FOR YOUR APPLICATION.

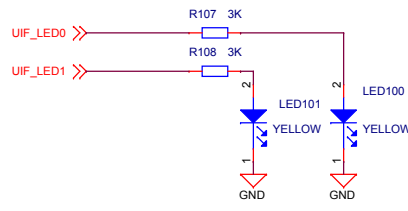


/ EFM32PG STK		Schematic Title	
		EFM32PG12 Pearl Gecko Starter Kit	
Designed: HEL Approved: JNO		Page Title Title Page	
Size: A3 BOM Doc No: <Cage Code>	Document number BRD2501A	Revision A02	Sheet Modified Date Tuesday, January 03, 2017
Design Created Date: Wednesday, December 03, 2008	Sheet Created Date Saturday, March 21, 2009	Sheet Modified Date Tuesday, January 03, 2017	Sheet 1 of 10

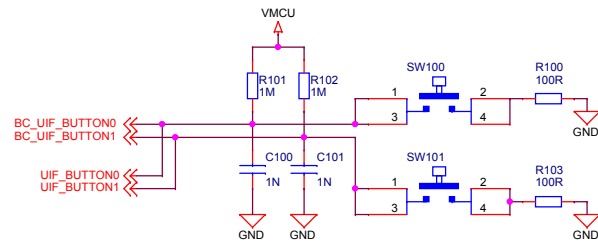
LESENSE LC-Sensor



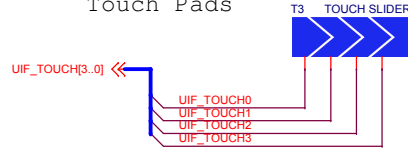
User LEDs



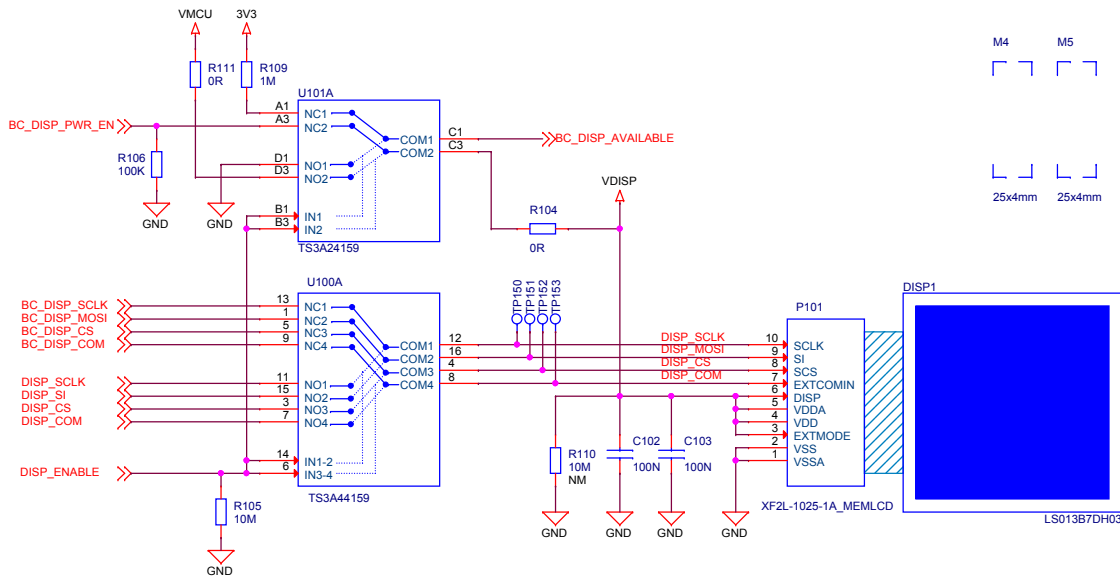
User Pushbuttons



Touch Pads

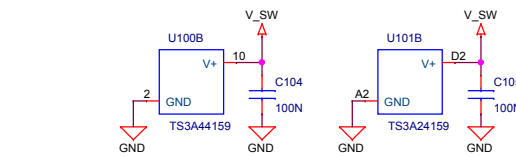


Memory LCD-TFT Display & Multiplexer

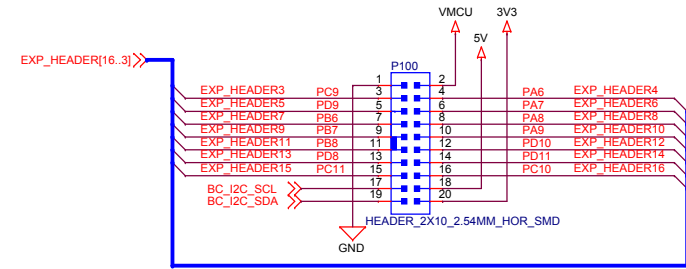


EFM_DISP_ENABLE	DISP_CTRL	VDISP	BC_DISP_AVAILABLE
1	EFM	VMCU	0
0	BC	BC_DISP_PWR_EN	1

The EFM32 always controls ownership of the display using the EFM_DISP_ENABLE signal.



EXP Header

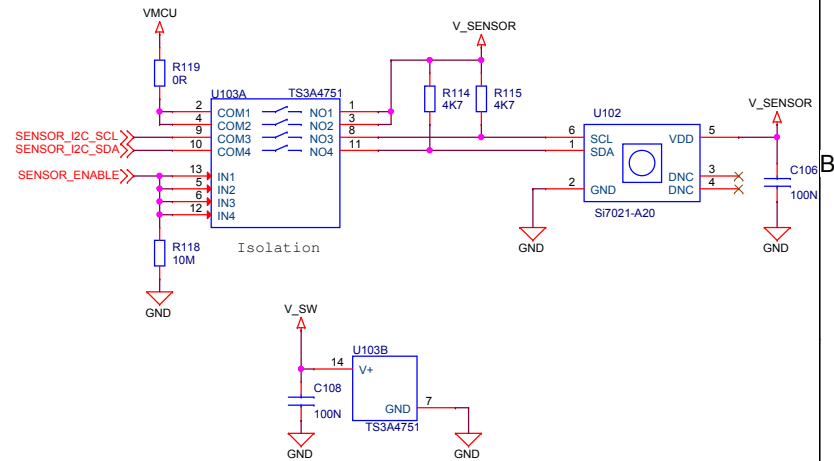


EXP-Header Functionality

Pin	Signal	Function
1	GND	
3	PC9	
5	PD9	
7	PB6	US3_TX #10
9	PB7	US3_RX #10
11	PB8	US3_CLK #10
13	PD8	US3_CS #29
15	PC11	I2C0_SCL #15
17		Reserved for EXP Board Identification
19		Reserved for EXP Board Identification

Pin	Signal	Function
2	VMCU	
4	PA6	US2_TX #1
6	PA7	US2_RX #1
8	PA8	US2_CLK #1
10	PA9	US2_CS #1
12	PD10	LEU0_TX #18
14	PD11	LEU0_RX #18
16	PC10	I2C0_SDA #15
18	5V	
20	3V3	

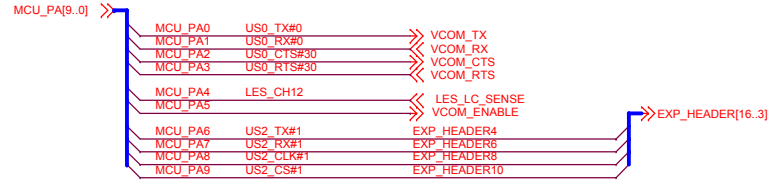
Relative Humidity & Temperature Sensor



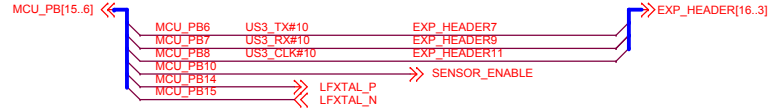
EFM32PG STK

		Schematic Title	
		EFM32PG12 Pearl Gecko Starter Kit	
Design: HEL Size: A3		Page Title	
		User Interfaces	
Approved: JNO BOM Doc No:		Document number BRD2501A	
Design Created Date: Wednesday, December 03, 2008		Sheet Created Date Friday, October 31, 2014	Sheet Modified Date Monday, February 06, 2017
		Revision	Sheet
		A02	2 of 10

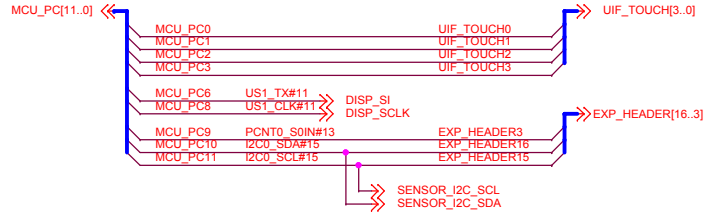
PA Connections



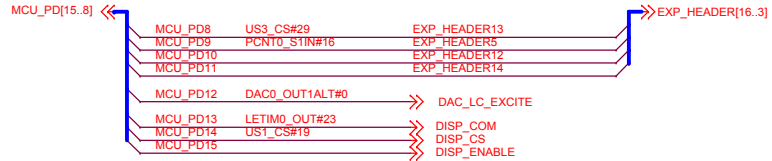
PB Connections



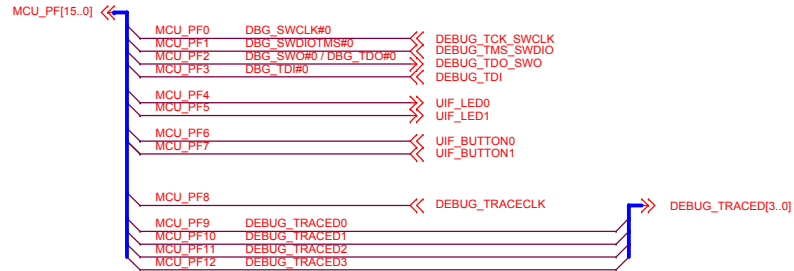
PC Connections



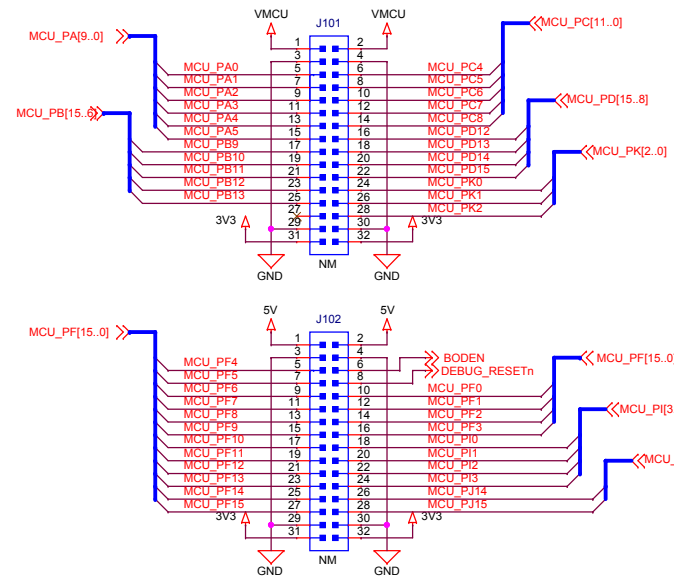
PD Connections



PF Connections



Breakout Connections



Breakout header labels:

VMCU	VMCU
GND	GND
PA0	PC4
PA1	PC5
PA2	PC6
PA3	PC7
PA4	PC8
PA5	PD12
PB9	PD13
PB10	PD14
PB11	PD15
PB12	PK0
PB13	PK1
NC	PK2
GND	GND
3V3	3V3

5V	5V
GND	GND
PF4	BODEN
PF5	RST
PF6	PFO
PF7	PF1
PF8	PF2
PF9	PF3
PF10	PIO
PF11	PI1
PF12	PI2
PF13	PI3
PF14	PI4
PF15	PI5
GND	GND
3V3	3V3

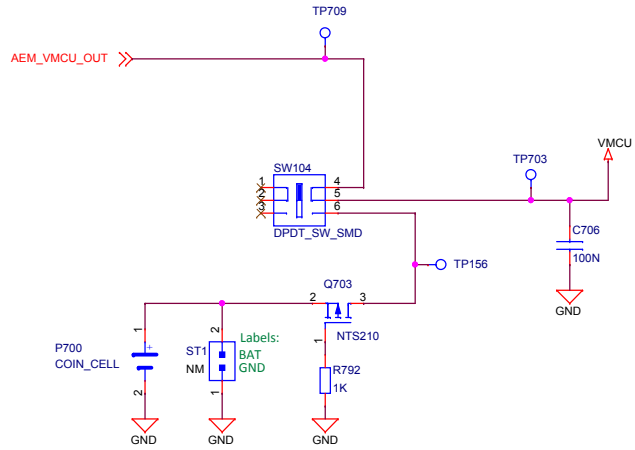


Schematic Title
EFM32PG12 Pearl Gecko Starter Kit

Page Title
EFM32 Signal Assignments

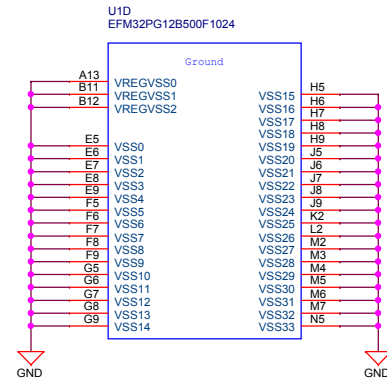
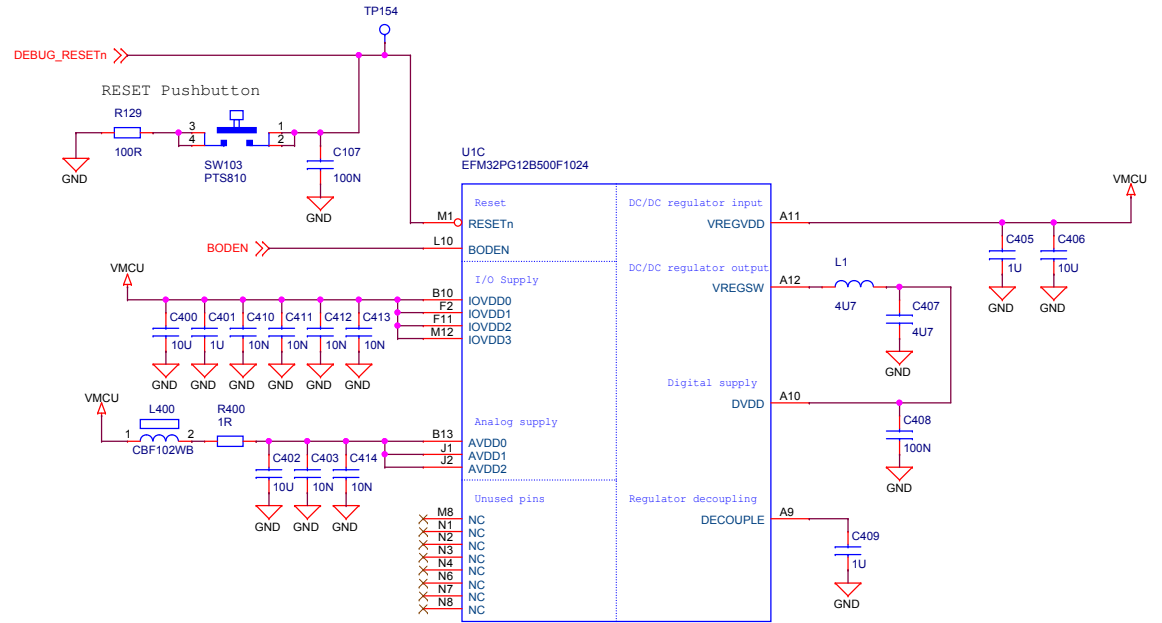
Designed: HEL	Approved: JNO	Document number BRD2501A	Revision A02
Size A3	BOM Doc No: <Cage Code>	Sheet Created Date Friday, October 31, 2014	Sheet Modified Date Monday, February 06, 2017
Design Created Date: Wednesday, December 03, 2008		Sheet 3 of 10	


Power Select Switch: AEM/BAT

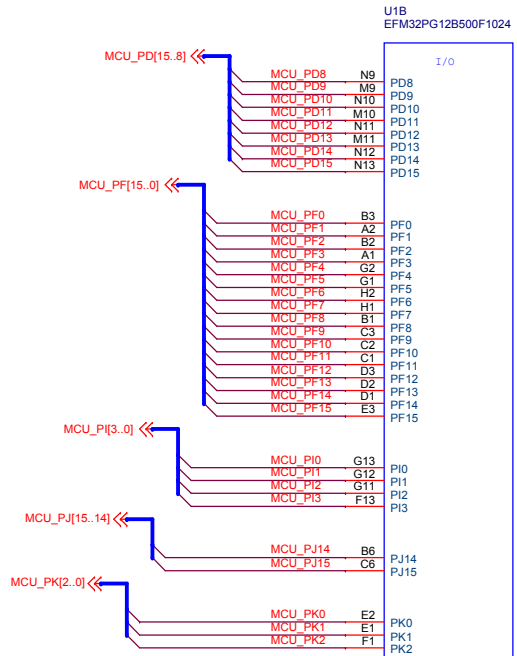
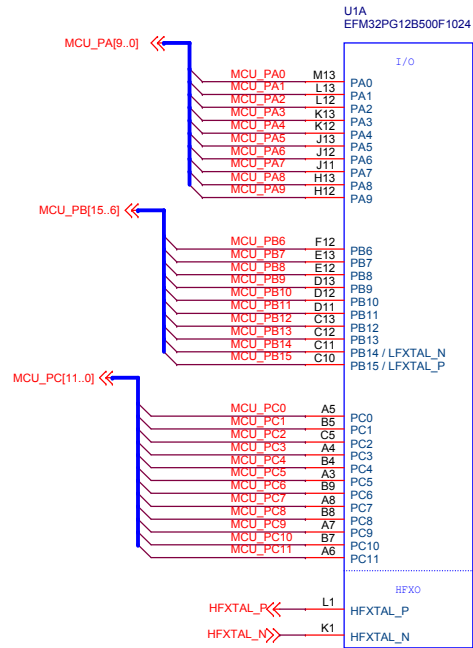


SWITCH POS	MODE DESCRIPTION
AEM	AEM Enabled, VMCU sourced from external 3.3V LDO powered by BC USB 5V supply
BAT	AEM Disabled, VMCU sourced from coin-cell battery or external power supply

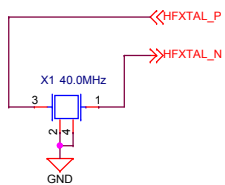
EFM32 Power and Decoupling



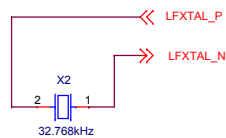
		Schematic Title	
		EFM32PG12 Pearl Gecko Starter Kit	
Designed: HEL Approved: JNO		Page Title	
		EFM32 Power	
Size: A3	BOM Doc No: <Cage Code>	Document number	
Design Created Date: Wednesday, December 03, 2008		BRD2501A	
Sheet Created Date: Friday, October 31, 2014		Revision	
Sheet Modified Date: Friday, October 27, 2017		A02	
Sheet 4 of 10			



High Frequency Clock



Low Frequency Clock



Schematic Title
EFM32PG12 Pearl Gecko Starter Kit

Page Title
EFM32 I/O

Designed:
HEL

Approved:
JNO

Document number
BRD2501A

Revision
A02

Size
A3

BOM Doc No:
<Cage Code>

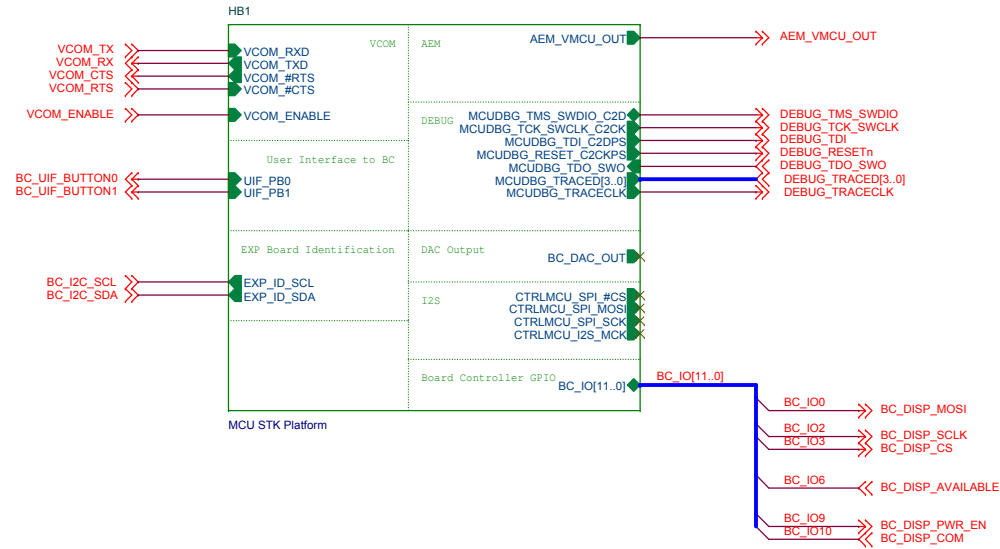
Design Created Date:
Wednesday, December 03, 2008


Sheet Created Date
Monday, November 17, 2014

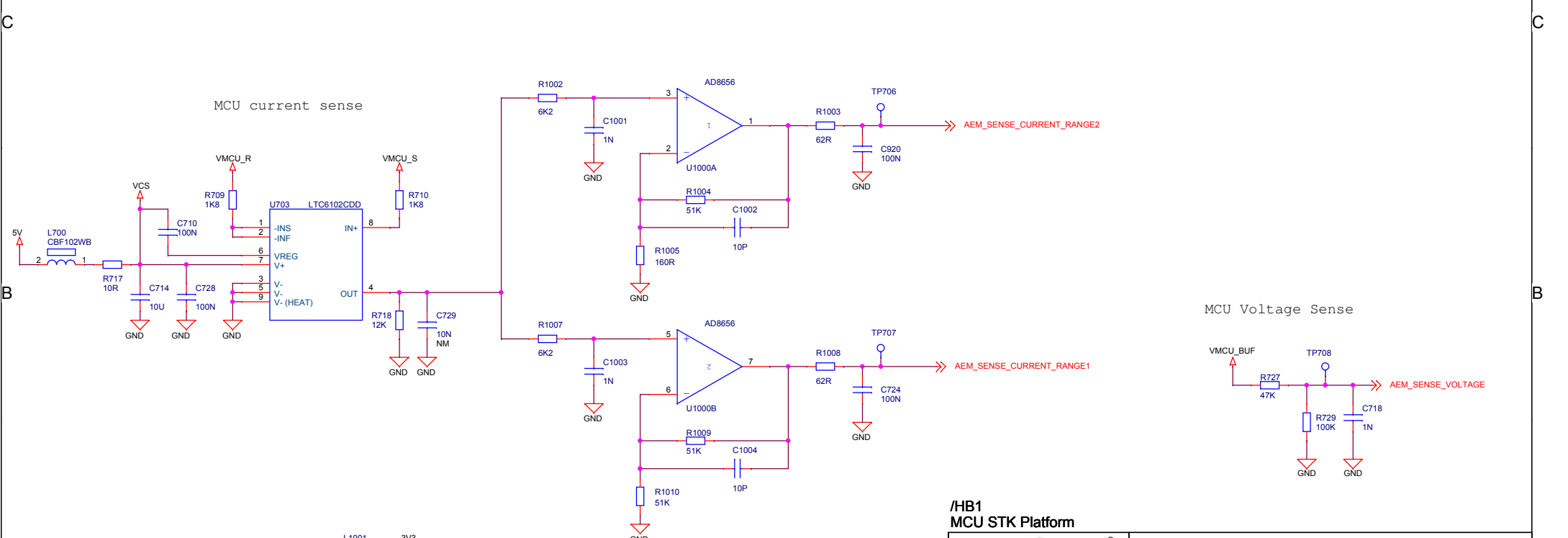
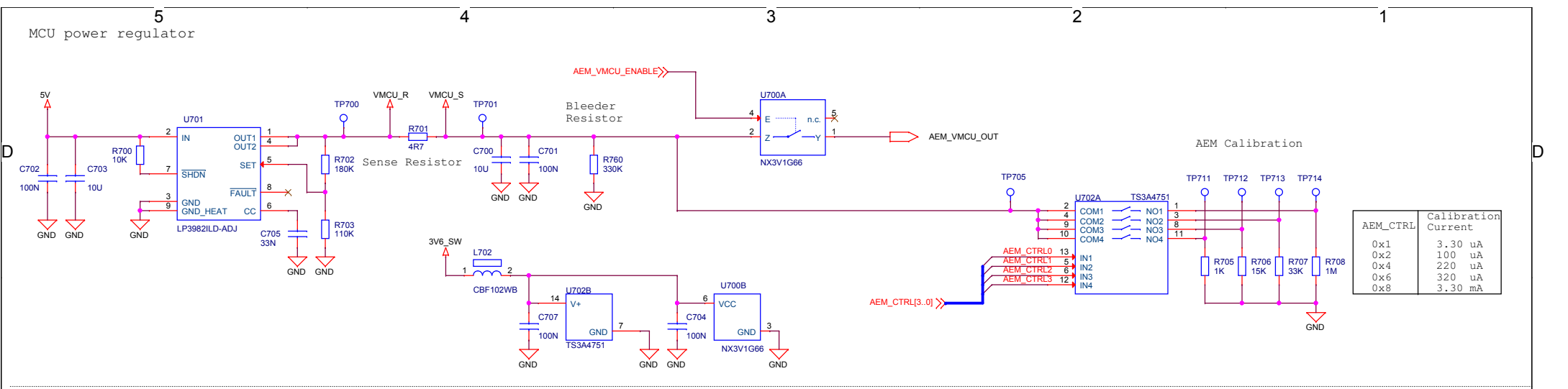
Sheet Modified Date
Friday, October 27, 2017

Sheet
5 of 10

Board Controller Functional Block



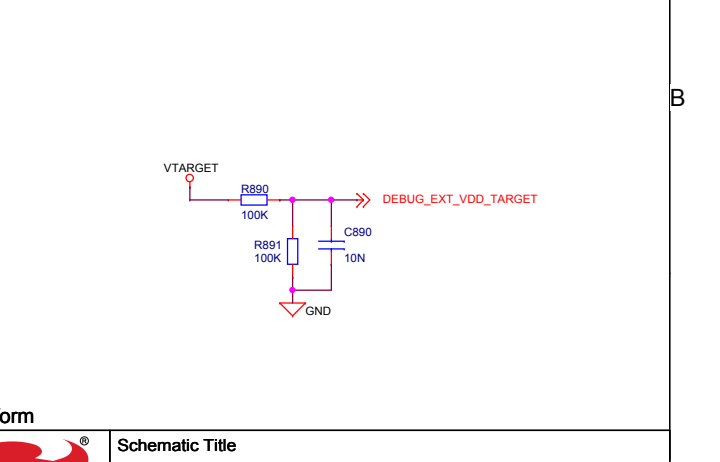
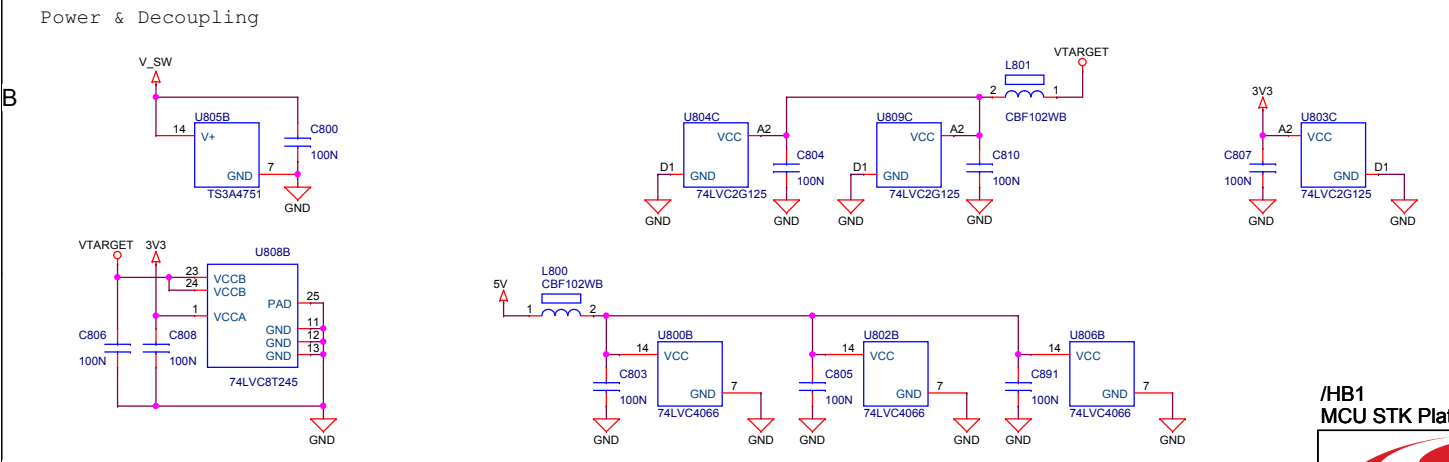
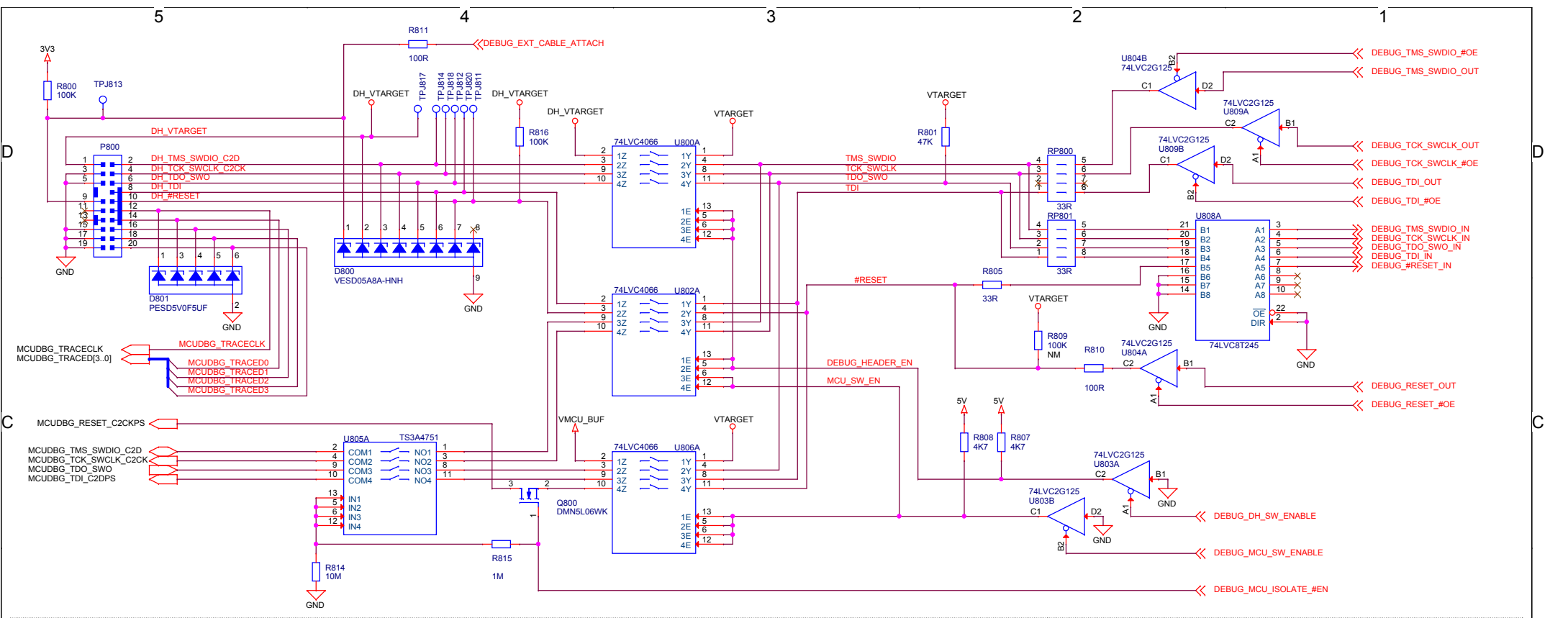
 SILICON LABS		Schematic Title	
		EFM32PG12 Pearl Gecko Starter Kit	
Designed: HEL Approved: JNO		Page Title	
		STK Board Controller	
Size: A3	BOM Doc No: <Cage Code>	Document number	Revision
Design Created Date: Wednesday, December 03, 2008		BRD2501A	A02
	Sheet Created Date: Friday, October 31, 2014	Sheet Modified Date: Monday, February 06, 2017	Sheet 6 of 10



**/HB1
MCU STK Platform**

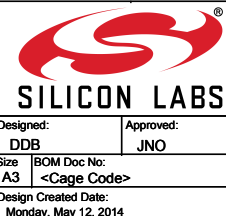
SILICON LABS

Designed: DDB		Approved: JNO	
Size: A3	BOM Doc No: <Cage Code>	Schematic Title: EFM32PG12 Pearl Gecko Starter Kit	
Design Created Date: Monday, May 12, 2014		Page Title: Advanced Energy Monitor	
Document number: BRD2501A		Revision: A02	
Sheet Created Date: Tuesday, May 13, 2014	Sheet Modified Date: Thursday, December 15, 2016	Sheet 7 of 10	

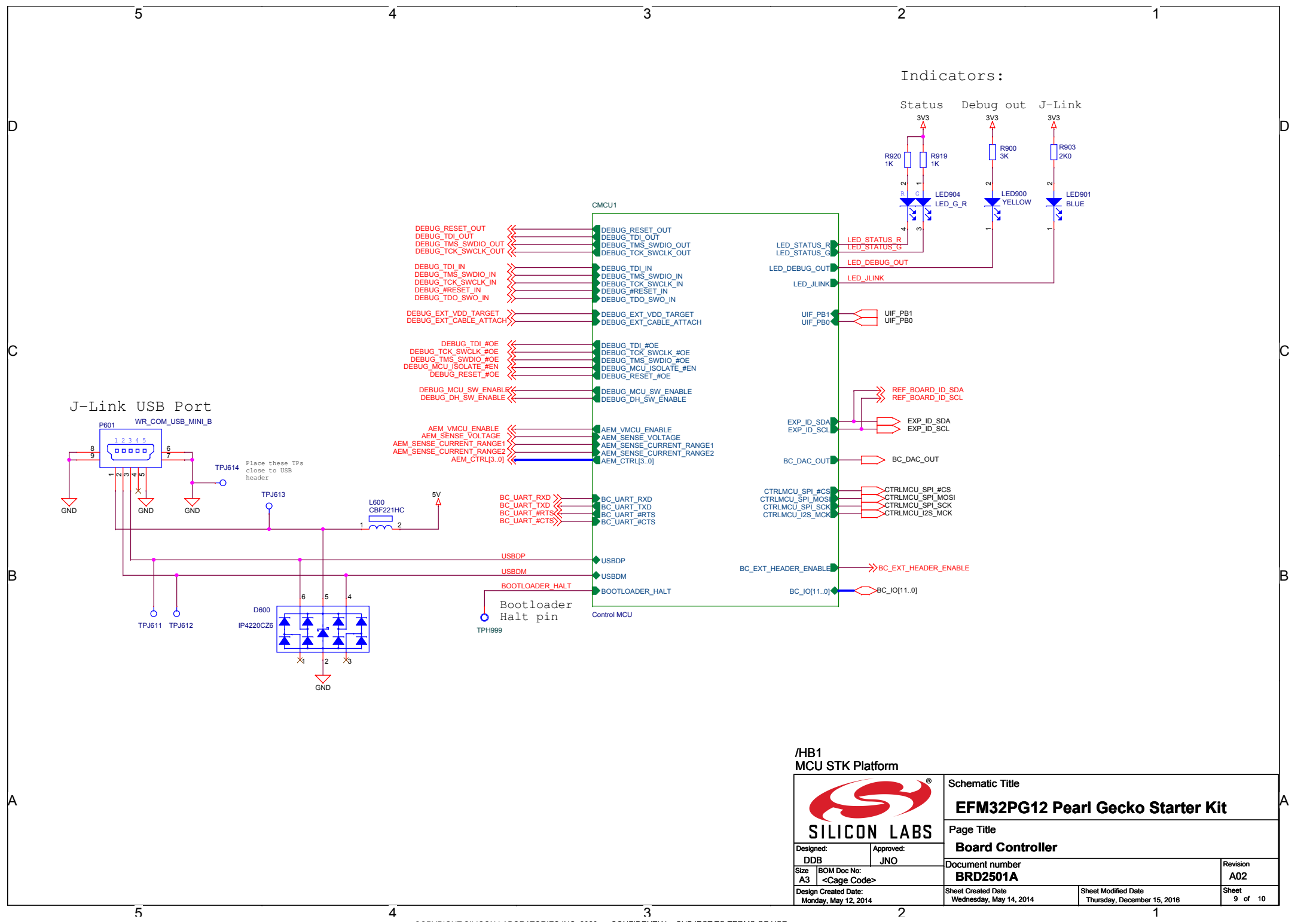


Mode	DEBUG_MCU_SW_ENABLE	DEBUG_DH_SW_ENABLE	DEBUG_BUF_#OE	ISOLATE_#EN	DH_VTARGET	VTARGET
Debug Out	0	1	0	0	External voltage	External voltage
MCU Debug	1	0	0	1	Disconnected	VMCU
Debug In	1	1	1	1	VMCU	VMCU
Debug Off	1	1	1	0	-	-

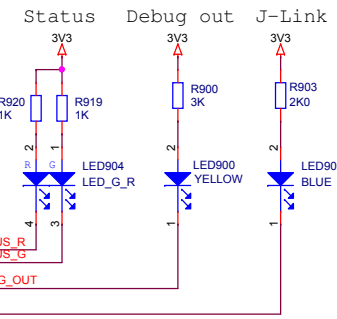
/HB1
MCU STK Platform




Schematic Title		
EFM32PG12 Pearl Gecko Starter Kit		
Page Title		
Debug Interface		
Designed: DDB	Approved: JNO	Document number
Size A3	BOM Doc No: <Cage Code>	BRD2501A
Design Created Date: Monday, May 12, 2014	Sheet Created Date Monday, May 12, 2014	Sheet Modified Date Thursday, December 15, 2016
		Revision A02 Sheet 8 of 10

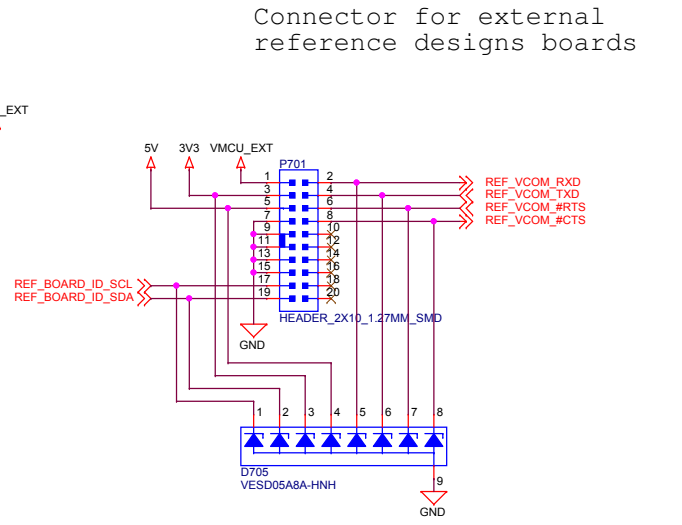
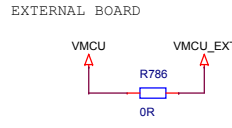
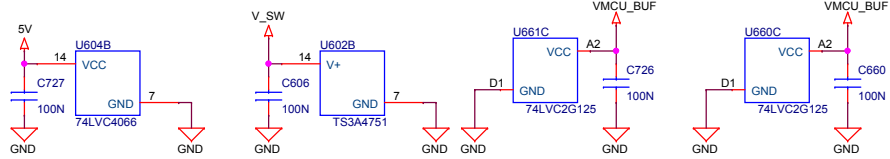
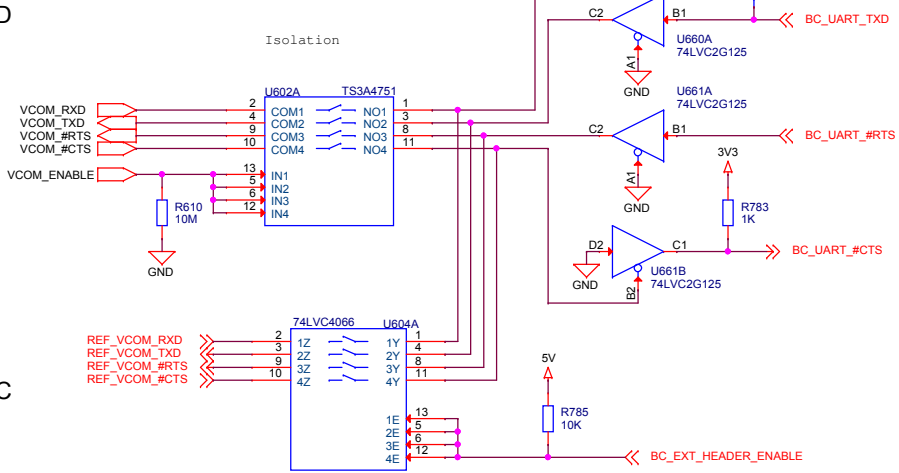


Indicators:

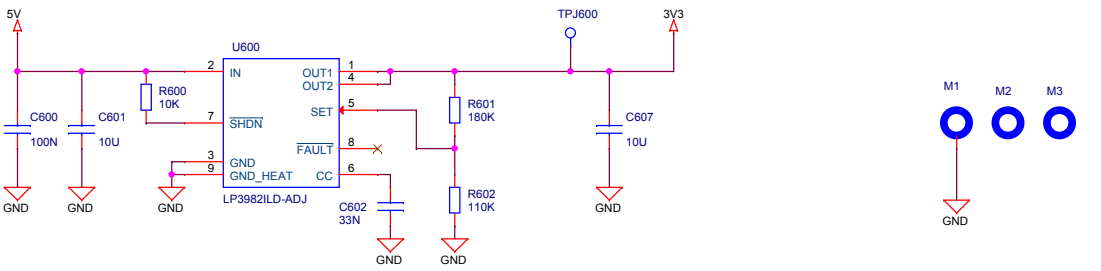


 SILICON LABS		Schematic Title	
		EFM32PG12 Pearl Gecko Starter Kit	
Designed: DDB Approved: JNO		Page Title	
		Board Controller	
Size: A3	BOM Doc No: <Cage Code>	Document number	Revision
Design Created Date: Monday, May 12, 2014		BRD2501A	A02
		Sheet Created Date: Wednesday, May 14, 2014	Sheet Modified Date: Thursday, December 15, 2016
			Sheet 9 of 10

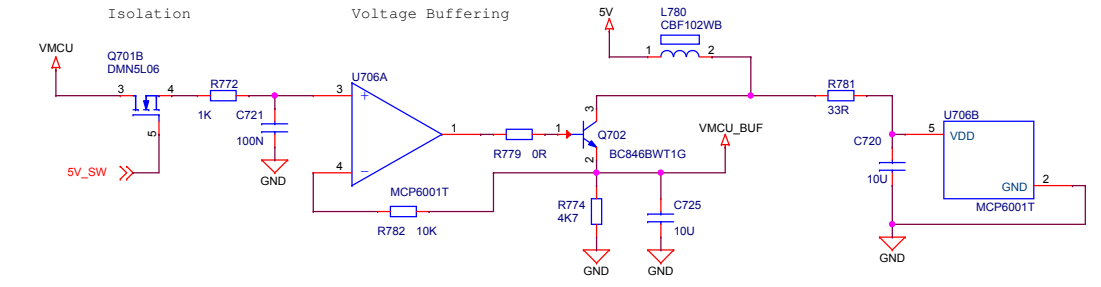
Virtual COM Port Interface



3V3 Regulator



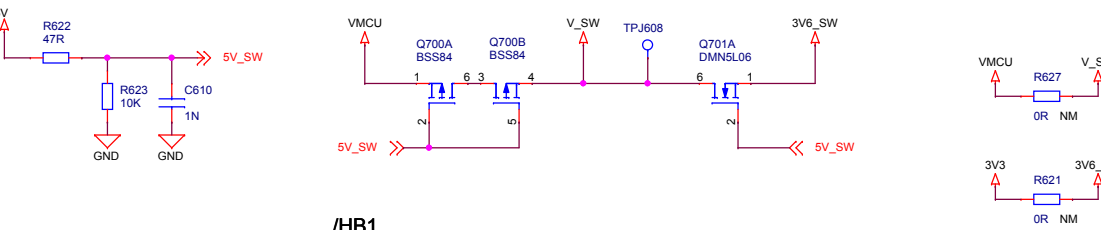
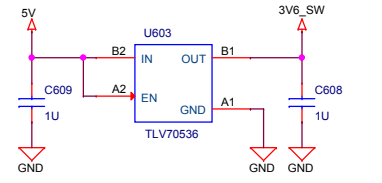
VMCU Voltage Mirror



Power Supply for Analog Switches

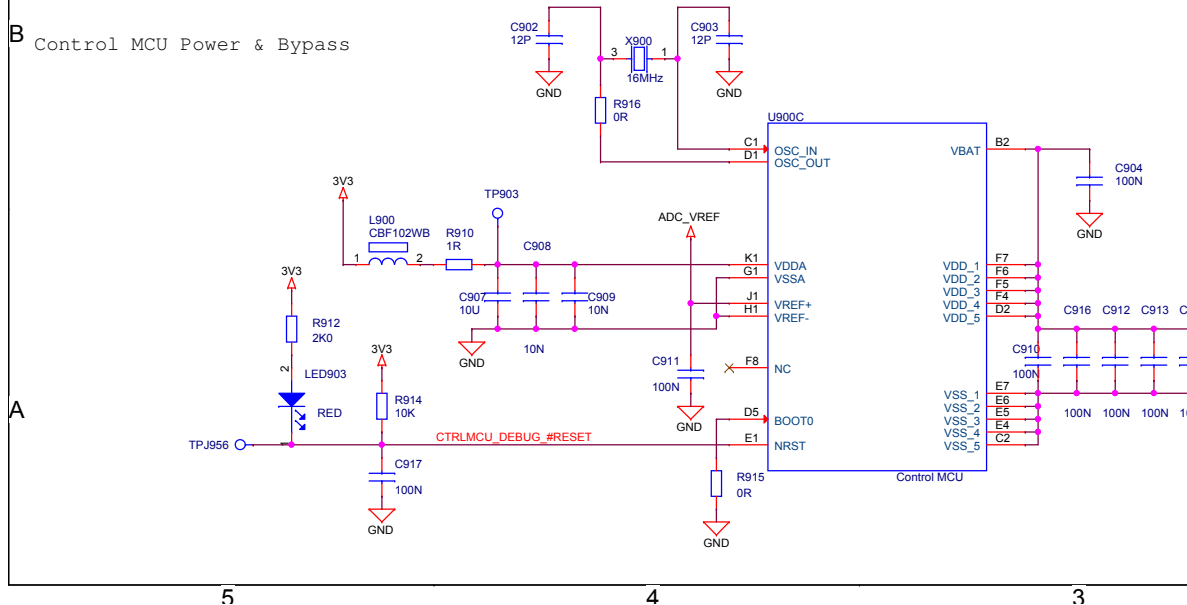
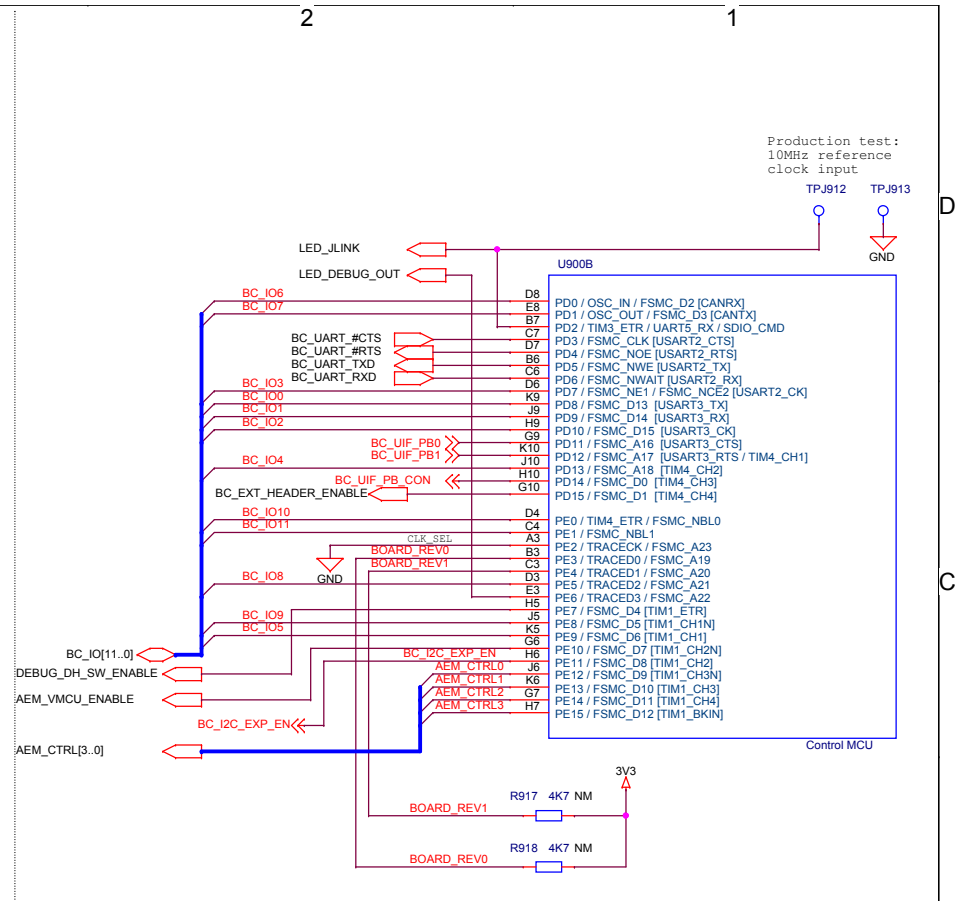
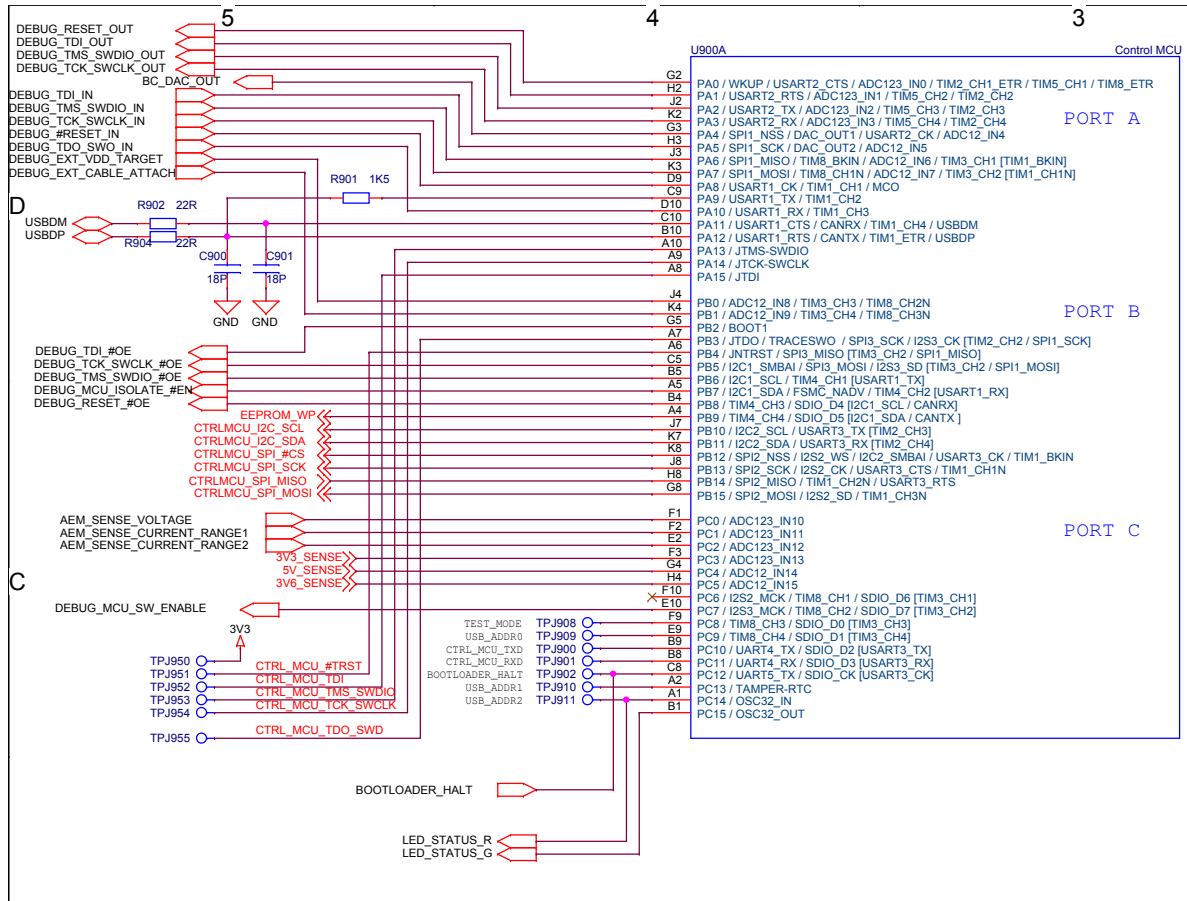
The USB VBUS voltage is used to bias these transistors, turning the P-Channel MOSFETs (Q700) off, and the N-Channel MOSFETs (Q701) on.

J-Link USB Cable	PMOS State	NMOS State	V_SW	VMCU_SENSE
Connected	Off	ON	3.6V	VMCU
Disconnected	ON	OFF	VMCU	Isolated



/HB1
MCU STK Platform

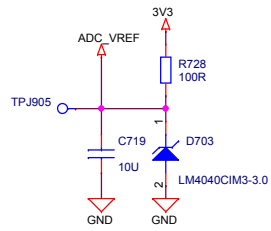
		Schematic Title	
		EFM32PG12 Pearl Gecko Starter Kit	
Designed: DDB Approved: JNO		Page Title	
		Power & Misc	
Size: A3		Document number	
BOM Doc No: <Cage Code>		BRD2501A	
Design Created Date: Monday, May 12, 2014		Revision	
		A02	
Sheet Created Date: Monday, May 12, 2014		Sheet Modified Date: Thursday, December 15, 2016	
		Sheet 10 of 10	



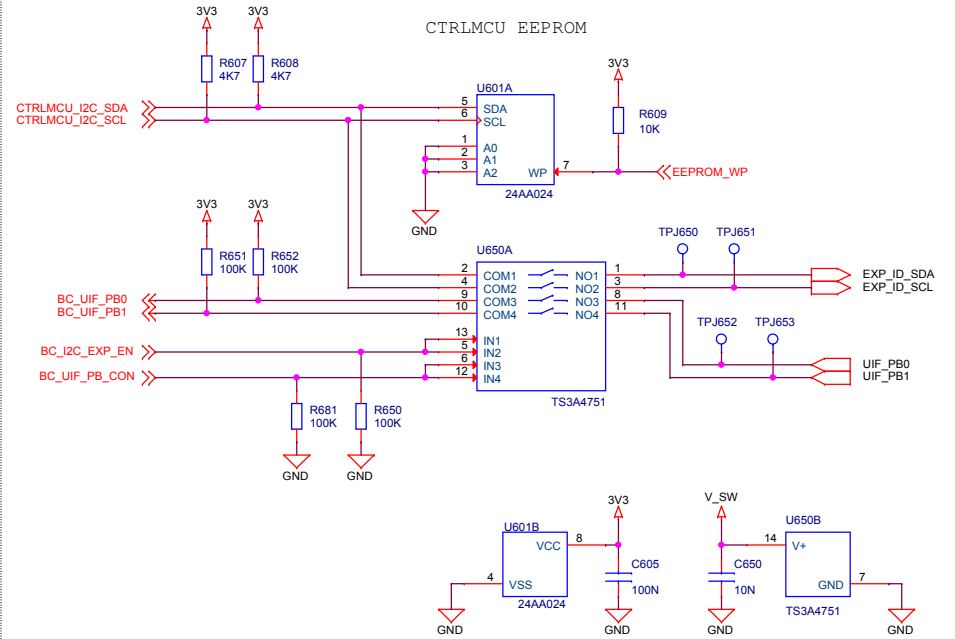
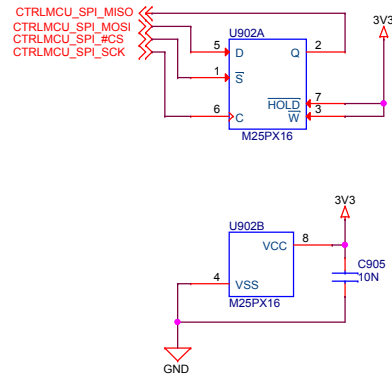
/HB1/CMCU1 Control MCU

Schematic Title		EFM32PG12 Pearl Gecko Starter Kit	
Page Title		Control MCU	
Designed: DDB		Approved: JNO	
Size: A3	BOM Doc No: <Cage Code>	Document number	Revision
Design Created Date: Monday, May 12, 2014		BRD2501A	A02
Sheet Created Date: Wednesday, February 11, 2015		Sheet Modified Date: Wednesday, October 12, 2016	Sheet 11 of 10

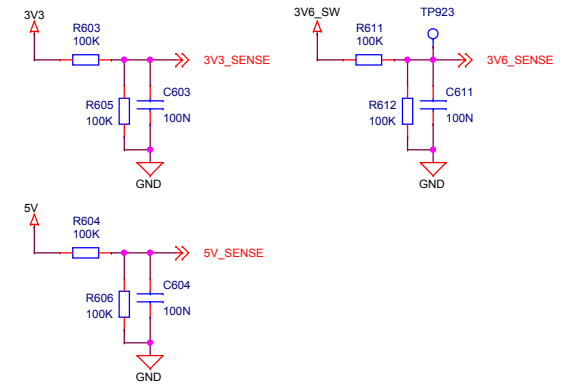
ADC reference voltage




CTRLMCU SERIAL FLASH



POWER SENSE



/HB1/CMCU1
Control MCU

 SILICON LABS		Schematic Title	
		EFM32PG12 Pearl Gecko Starter Kit	
Designed: DDB Approved: JNO		Page Title	
		Board Controller Misc	
Size: A3	BOM Doc No: <Cage Code>	Document number	Revision
Design Created Date: Monday, May 12, 2014		BRD2501A	A02
	Sheet Created Date: Wednesday, February 11, 2015	Sheet Modified Date: Friday, October 14, 2016	Sheet 12 of 10