



EFR32 Mighty Gecko Radio Board

2.4 GHz / 868 MHz 10 dBm, VDCDC to PAVDD

Board Function	Page
Title Page	1
RF, Antenna & Power	2
EFR32 Signal Assignments	3
WSTK Connectors & Board ID	4

LEGAL NOTICE:
 SILICON LABORATORIES INC. ("SILICON LABS") AND/OR ITS LICENSORS DO NOT WARRANT THE ACCURACY OR COMPLETENESS OF THIS SCHEMATIC OR ANY INFORMATION CONTAINED WITHIN THIS SCHEMATIC. IT IS PROVIDED "AS-IS" FOR REFERENCE ONLY. SILICON LABS DOES NOT WARRANT THAT THIS DESIGN WILL MEET THE SPECIFICATIONS, BE SUITABLE FOR YOUR APPLICATION OR FIT FOR ANY PARTICULAR PURPOSE, OR WILL OPERATE IN YOUR IMPLEMENTATION. SILICON LABS AND ITS LICENSORS DO NOT WARRANT THAT THE DESIGN IMPLIED IN THIS SCHEMATIC IS PRODUCTION-WORTHY. YOU SHOULD COMPLETELY VALIDATE AND TEST YOUR DESIGN IMPLEMENTATION TO CONFIRM SYSTEM FUNCTIONALITY FOR YOUR APPLICATION.

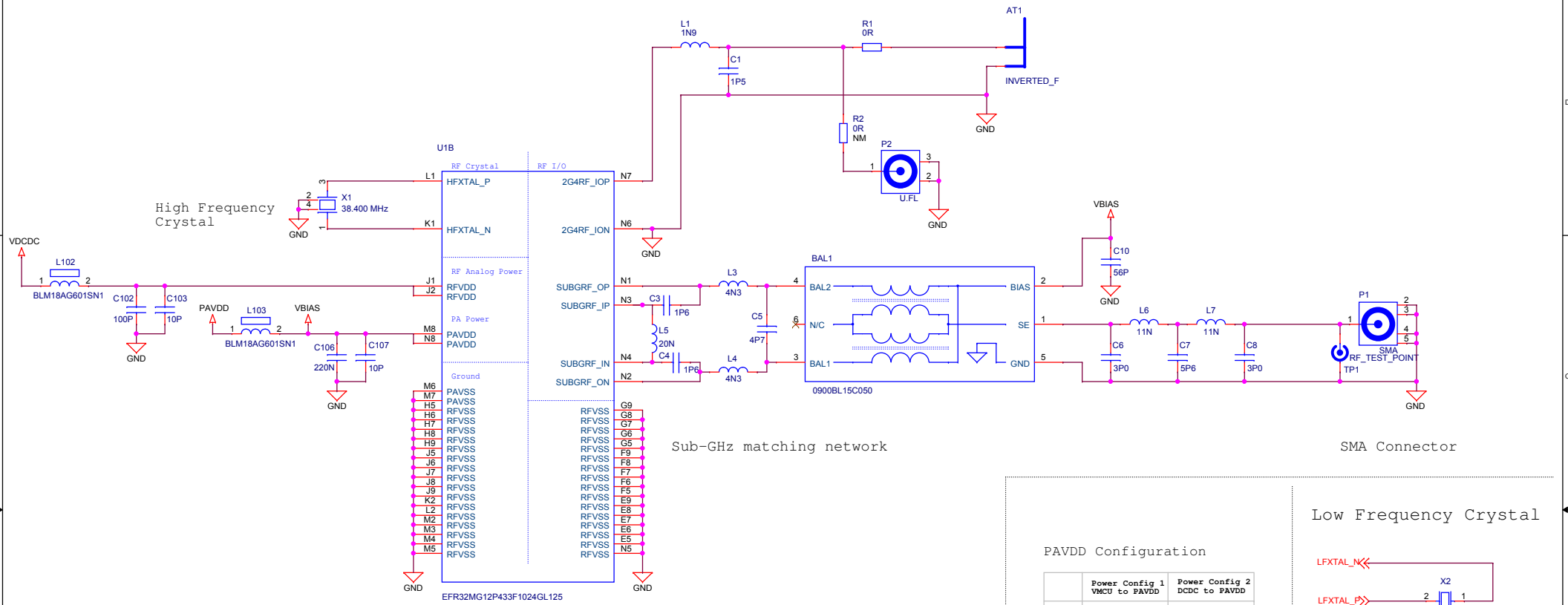


Revision History	
Rev.	Description
A00	Initial version.
A01	Updated EFR32 chip revision and 32 kHz crystal part number.

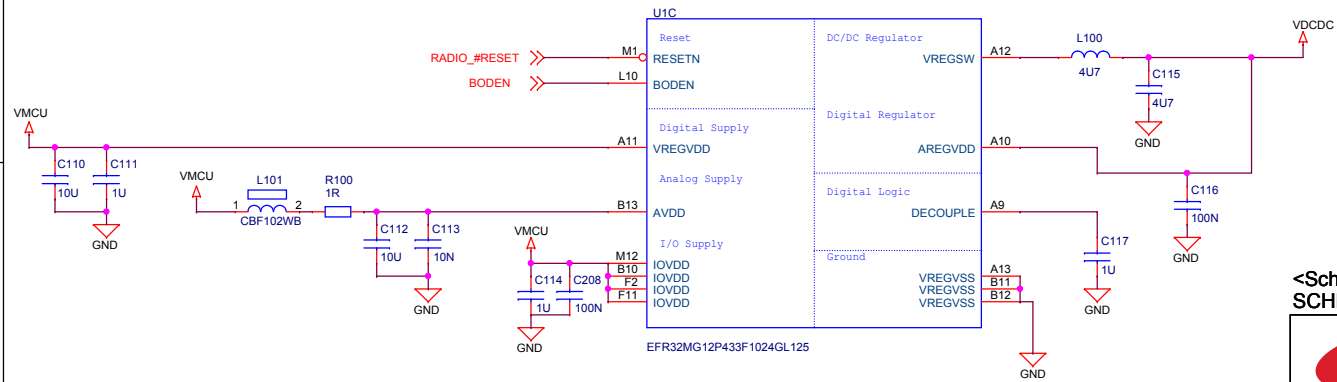
<Schematic Path>
 SCHEMATIC1

		Schematic Title	
		EFR32MG12 Dual Band 2400/868 MHz Radio	
Designed: TAB Approved: <OrgAddr2>		Page Title	
		Title Page	
Size A3	BOM Doc No: <Cage Code>	Document number	Revision
Design Created Date: Monday, April 02, 2012		BRD4163A	A01
Sheet Created Date Monday, April 02, 2012		Sheet Modified Date Thursday, November 17, 2016	Sheet 1 of 4

Antenna & Radio Interface

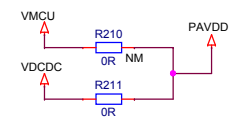


Power & Decoupling

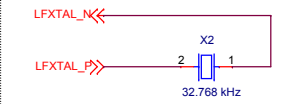


PAVDD Configuration

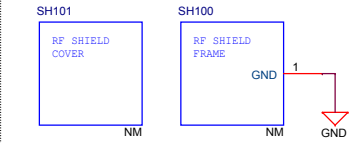
	Power Config 1 VMCU to PAVDD	Power Config 2 DCDC to PAVDD
R210	Mount	Not mount
R211	Not mount	Mount



Low Frequency Crystal



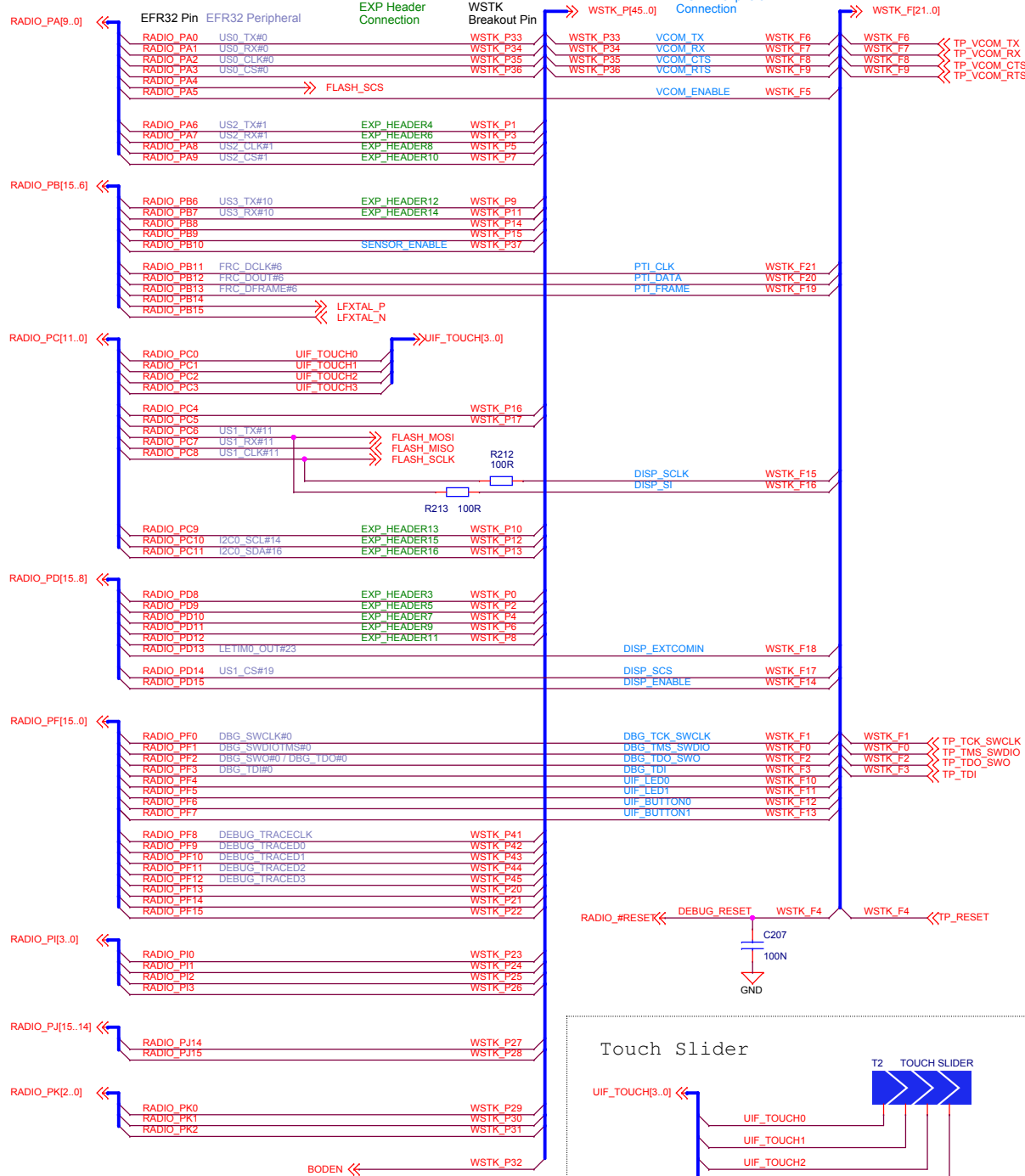
RF Shielding



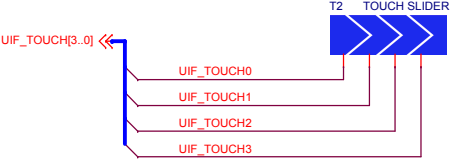
<Schematic Path>
SCHEMATIC1

<p>SILICON LABS</p>		Schematic Title	
		EFR32MG12 Dual Band 2400/868 MHz Radio Bo	
Designed: TAB		Page Title	
Approved: <OrgAddr2>		RF, Antenna & Power	
Size: A3	BOM Doc No: <Cage Code>	Document number	Revision
Design Created Date: Monday, April 02, 2012		BRD4163A	A01
Sheet Created Date: Monday, April 02, 2012	Sheet Modified Date: Thursday, November 17, 2016	Sheet 2 of 4	

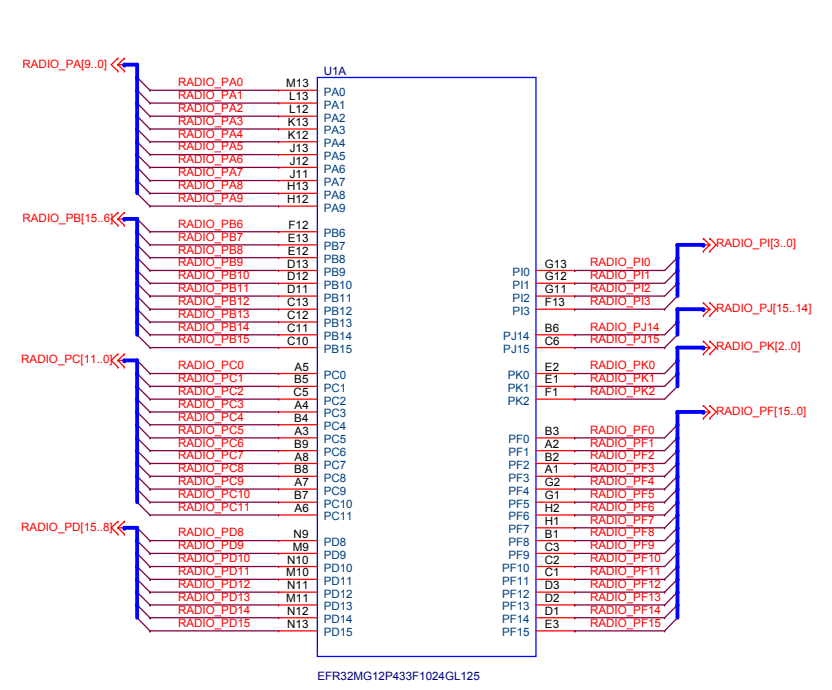
EFR32 Pin Mapping



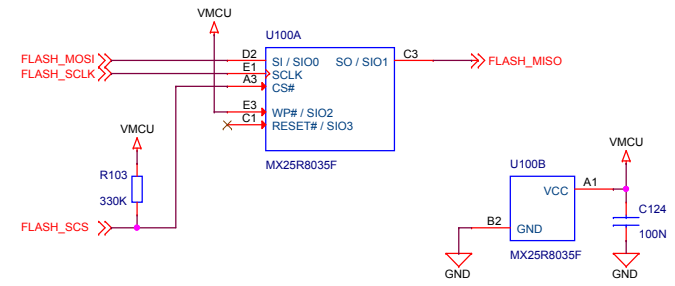
Touch Slider



EFR32 I/O Port Pins



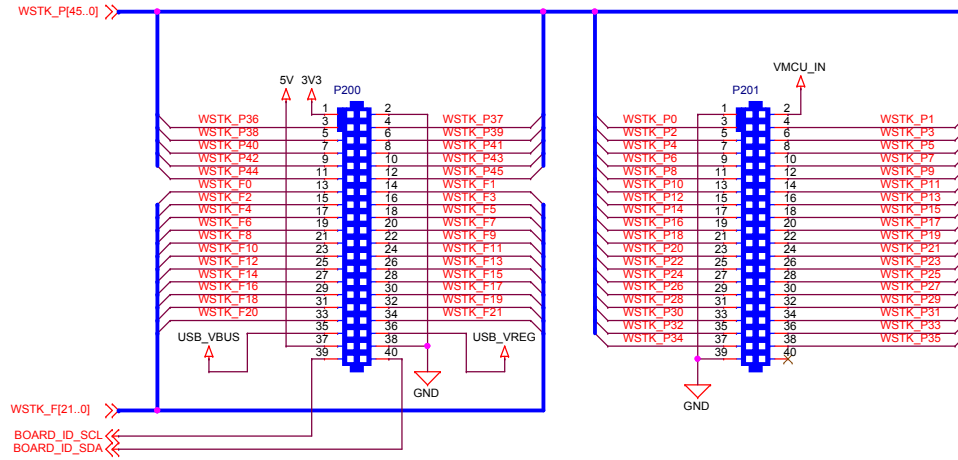
Serial Flash



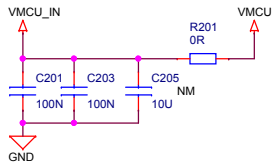
<Schematic Path> SCHEMATIC1

		Schematic Title EFR32MG12 Dual Band 2400/868 MHz Radio Bo	
Page Title EFR32 I/O Port Connections		Document number BRD4163A	
Designed: TAB	Approved: <OrgAddr2>	Revision A01	Sheet 3 of 4
Size A3	BOM Doc No: <Cage Code>	Sheet Created Date Monday, April 02, 2012	Sheet Modified Date Thursday, November 17, 2016

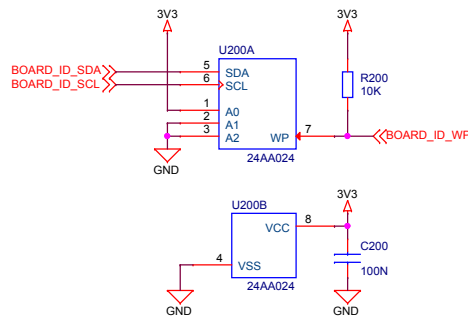
WSTK Connectors



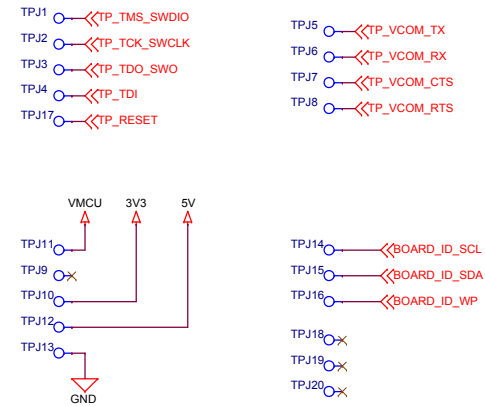
WSTK Power Decoupling



Board Identification



Test Points



<Schematic Path>
SCHEMATIC1

		Schematic Title	
		EFR32MG12 Dual Band 2400/868 MHz Radio Bo	
Designed: TAB Size: A3 Design Created Date: Monday, April 02, 2012		Page Title	
		WSTK Connectors & Board ID	
Approved: <OrgAddr2> BOM Doc No: <Cage Code>		Document number	
		BRD4163A	
Sheet Created Date: Tuesday, April 03, 2012		Sheet Modified Date: Thursday, November 17, 2016	
Revision: A01		Sheet 4 of 4	