



EFR32 Mighty Gecko Radio Board

2.4 GHz / 915 MHz 19 dBm, VMCU to PAVDD

Board Function	Page
Title Page	1
RF, Antenna & Power	2
EFR32 Signal Assignments	3
WSTK Connectors & Board ID	4

Revision History	
Rev.	Description
A00	Initial version.
A01	Fixing EFR part number.
A02	Updated EFR32 chip revision and 32 kHz crystal part number.

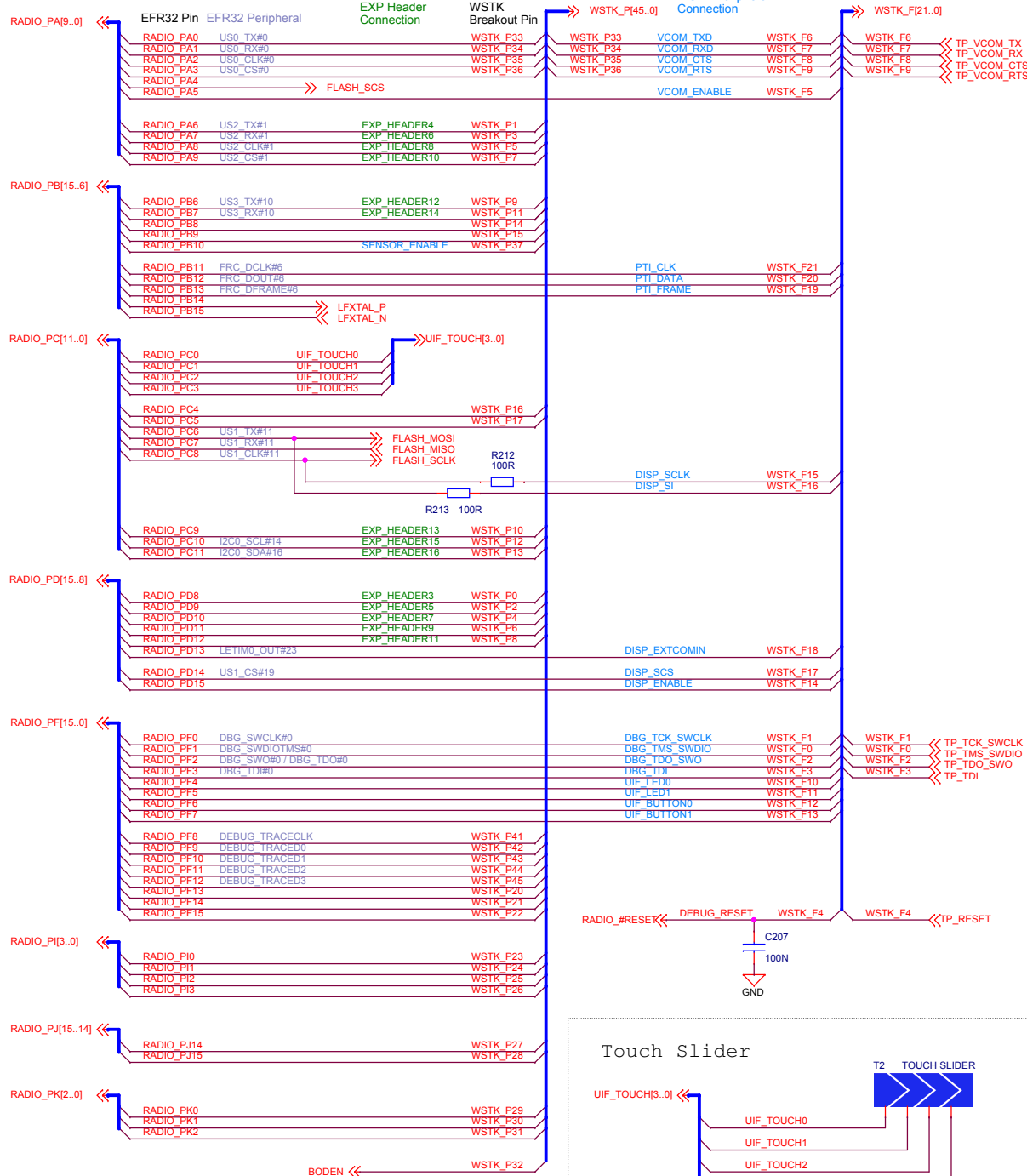
LEGAL NOTICE:
 SILICON LABORATORIES INC. ("SILICON LABS") AND/OR ITS LICENSORS DO NOT WARRANT THE ACCURACY OR COMPLETENESS OF THIS SCHEMATIC OR ANY INFORMATION CONTAINED WITHIN THIS SCHEMATIC. IT IS PROVIDED "AS-IS" FOR REFERENCE ONLY. SILICON LABS DOES NOT WARRANT THAT THIS DESIGN WILL MEET THE SPECIFICATIONS, BE SUITABLE FOR YOUR APPLICATION OR FIT FOR ANY PARTICULAR PURPOSE, OR WILL OPERATE IN YOUR IMPLEMENTATION. SILICON LABS AND ITS LICENSORS DO NOT WARRANT THAT THE DESIGN IMPLIED IN THIS SCHEMATIC IS PRODUCTION-WORTHY. YOU SHOULD COMPLETELY VALIDATE AND TEST YOUR DESIGN IMPLEMENTATION TO CONFIRM SYSTEM FUNCTIONALITY FOR YOUR APPLICATION.



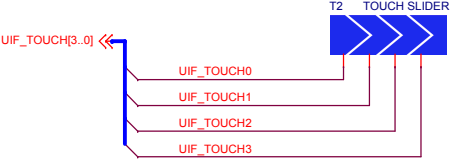
<Schematic Path>
 SCHEMATIC1

		Schematic Title	
		EFR32MG12 Dual Band 2400/915 MHz Radio	
Designed: TAB Approved: <OrgAddr2>		Page Title	
		Title Page	
Size: A3 BOM Doc No: <Cage Code>		Document number	
		BRD4164A	
Design Created Date: Monday, April 02, 2012		Sheet Created Date	Sheet Modified Date
		Monday, April 02, 2012	Thursday, November 17, 2016
Revision		Sheet	
A02		1 of 4	

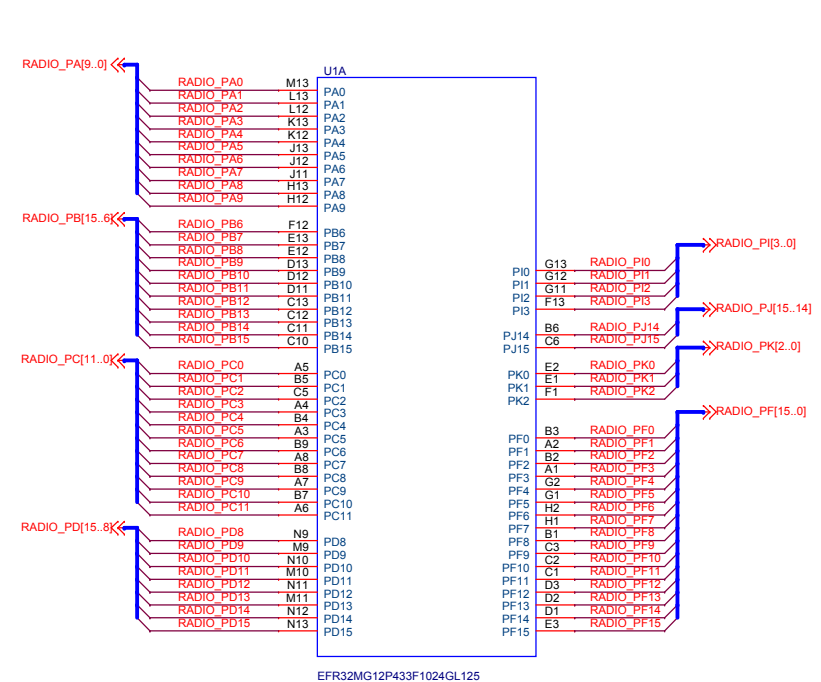
EFR32 Pin Mapping



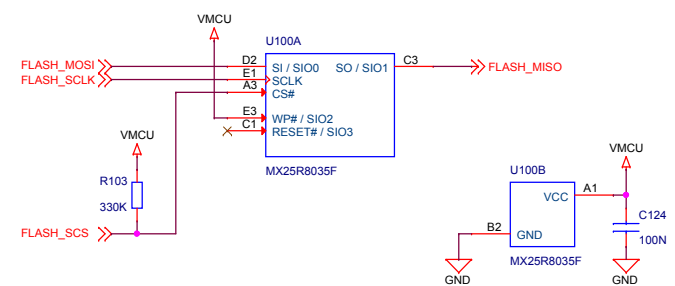
Touch Slider



EFR32 I/O Port Pins



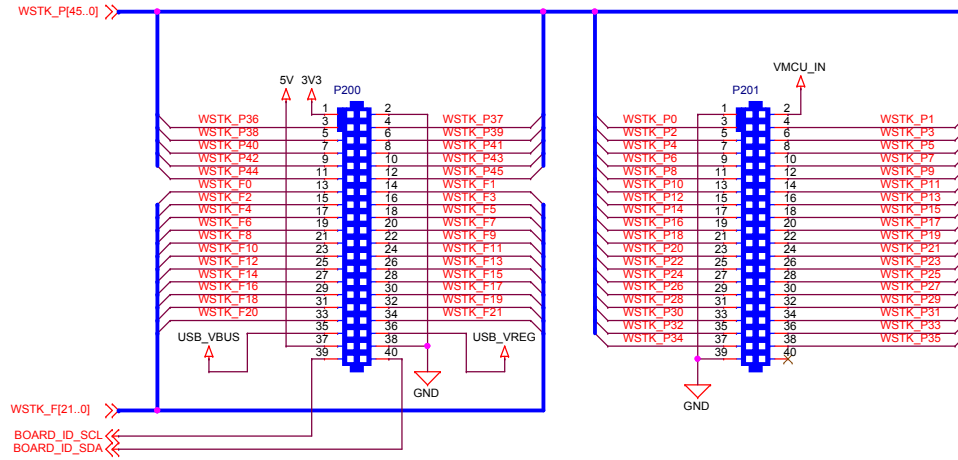
Serial Flash



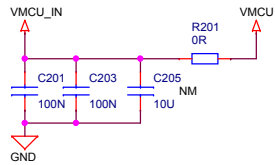
<Schematic Path> SCHEMATIC1

		Schematic Title	
		EFR32MG12 Dual Band 2400/915 MHz Radio Bo	
Designed: TAB Size: A3 Design Created Date: Monday, April 02, 2012		Page Title	
		EFR32 I/O Port Connections	
Approved: <OrgAddr2> BOM Doc No: <Cage Code>		Document number	Revision
Design Created Date: Monday, April 02, 2012		BRD4164A	A02
Sheet Created Date: Wednesday, April 11, 2012		Sheet Modified Date: Thursday, November 17, 2016	Sheet 3 of 4

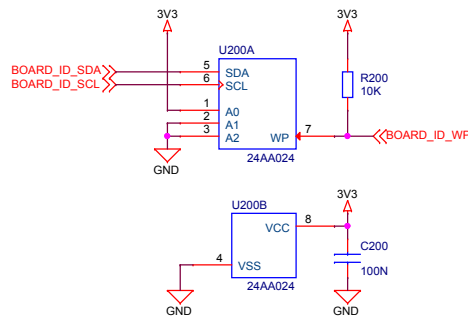
WSTK Connectors



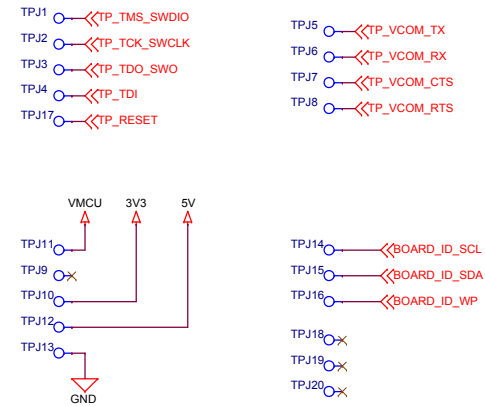
WSTK Power Decoupling



Board Identification



Test Points



<Schematic Path>
SCHEMATIC1

		Schematic Title	
		EFR32MG12 Dual Band 2400/915 MHz Radio Bo	
Designed: TAB Size: A3 Design Created Date: Monday, April 02, 2012		Page Title	
		WSTK Connectors & Board ID	
BOM Doc No: <Cage Code>		Document number	Revision
		BRD4164A	A02
Sheet Created Date: Monday, April 02, 2012		Sheet Created Date: Tuesday, April 03, 2012	Sheet Modified Date: Thursday, November 17, 2016
		4	of 4