



## EFR32MG13 Mighty Gecko Radio Board

2.4 GHz 19 dBm, VMCU to PAVDD

Board Function	Page
Title Page	1
RF, Antenna & Power	2
EFR32 Signal Assignments	3
WSTK Connectors & Board ID	4

LEGAL NOTICE:  
 SILICON LABORATORIES INC. ("SILICON LABS") AND/OR ITS LICENSORS DO NOT WARRANT THE ACCURACY OR COMPLETENESS OF THIS SCHEMATIC OR ANY INFORMATION CONTAINED WITHIN THIS SCHEMATIC. IT IS PROVIDED "AS-IS" FOR REFERENCE ONLY. SILICON LABS DOES NOT WARRANT THAT THIS DESIGN WILL MEET THE SPECIFICATIONS, BE SUITABLE FOR YOUR APPLICATION OR FIT FOR ANY PARTICULAR PURPOSE, OR WILL OPERATE IN YOUR IMPLEMENTATION. SILICON LABS AND ITS LICENSORS DO NOT WARRANT THAT THE DESIGN IMPLIED IN THIS SCHEMATIC IS PRODUCTION-WORTHY. YOU SHOULD COMPLETELY VALIDATE AND TEST YOUR DESIGN IMPLEMENTATION TO CONFIRM SYSTEM FUNCTIONALITY FOR YOUR APPLICATION.

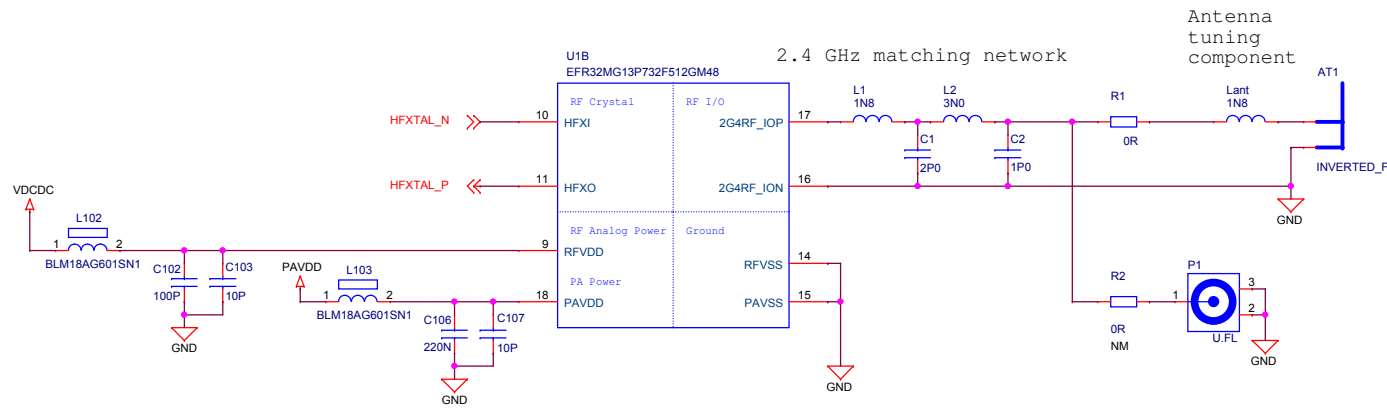


Revision History	
Rev.	Description
A00	Initial revision.
A01	Updated EFR32 revision to Rev. C. Fixing 4.7uF cap voltage rating.
A02	Updated EFR32 revision to Rev. D.

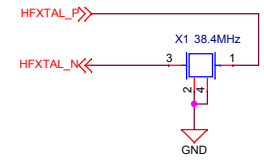
### SCHEMATIC1

*Path Name*		Schematic Title	
		EFR32MG13 2.4 GHz 19 dBm Radio Board	
		Page Title	
Designed: JSH Approved: JNO		Title Page	
Size: A3	BOM Doc No: <Cage Code>	Document number	Revision
Design Created Date: Monday, April 02, 2012		BRD4168A	A02
	Sheet Created Date: Monday, April 02, 2012	Sheet Modified Date: Wednesday, May 15, 2019	Sheet 1 of 4

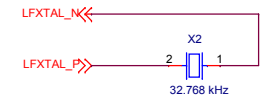
# Antenna & Radio Interface



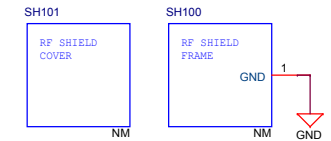
# High Frequency Crystal



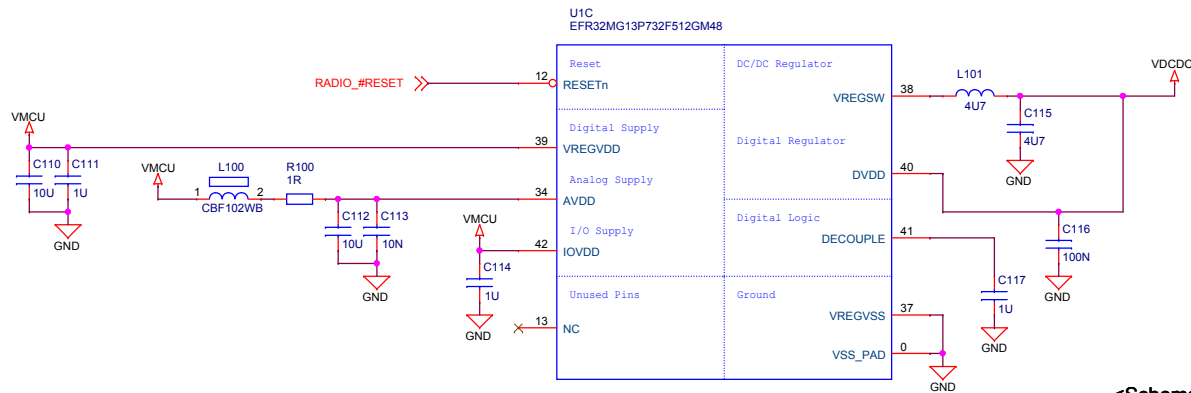
# Low Frequency Crystal



# RF Shielding

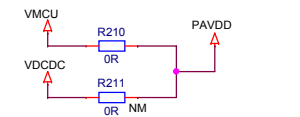


# Power & Decoupling



# PAVDD Configuration

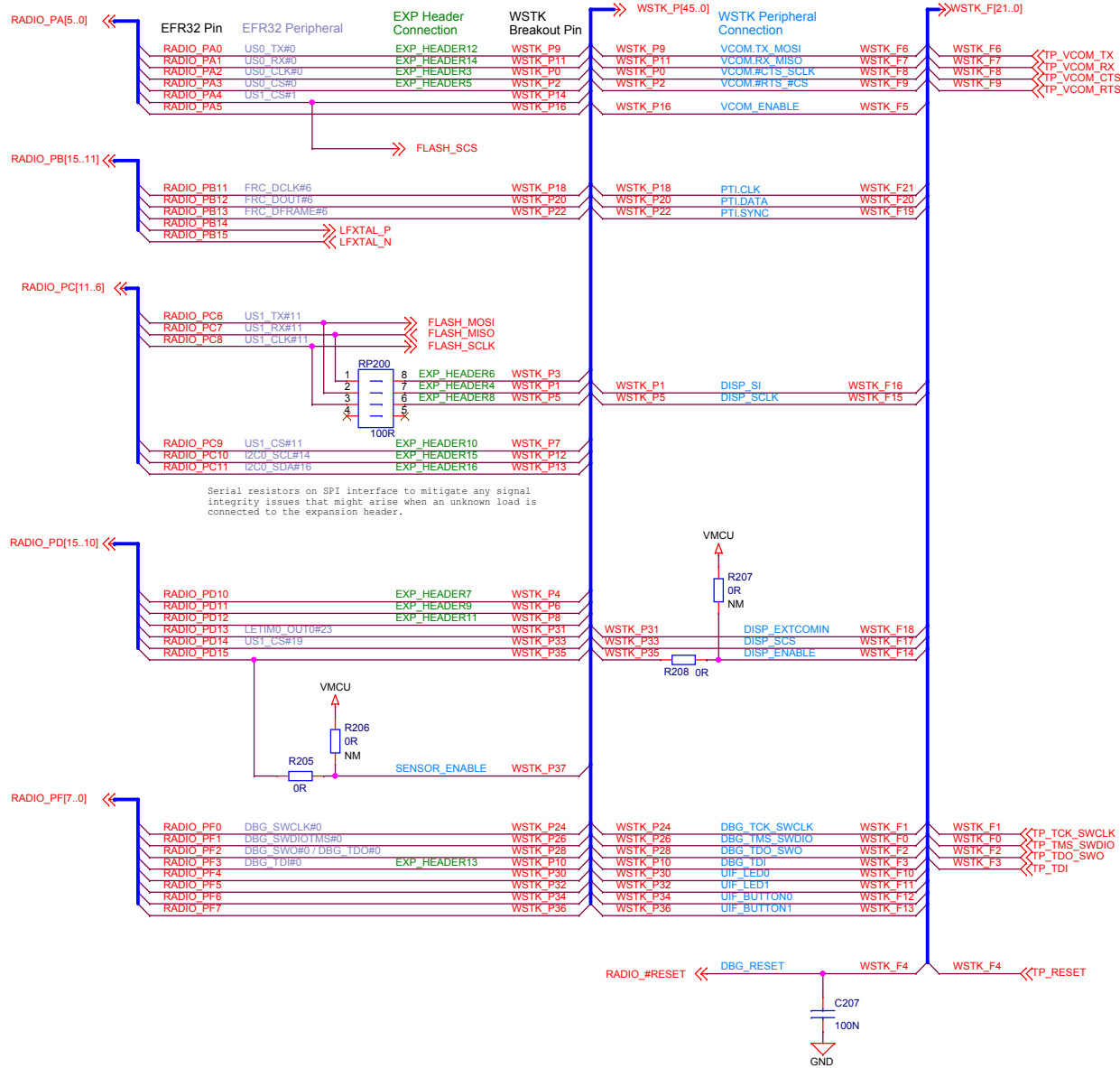
	Power Config 1 VMCU to PAVDD	Power Config 2 DCDC to PAVDD
R210	Mount	Not mount
R211	Not mount	Mount



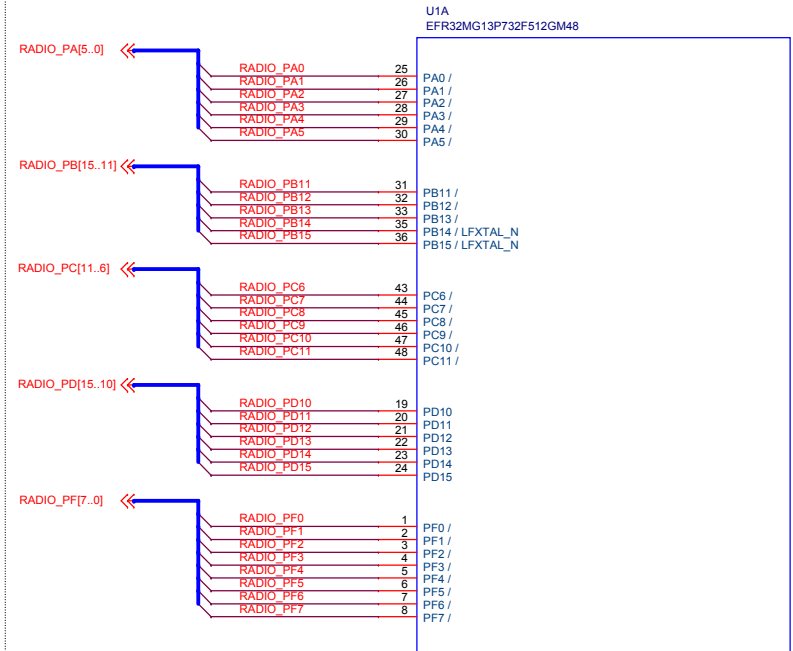
<Schematic Path>  
SCHEMATIC1

		Schematic Title	
		<b>EFR32MG13 2.4 GHz 19 dBm Radio Board</b>	
Designed: JSH Approved: JNO		Page Title	
		<b>RF, Antenna and Power</b>	
Size: A3 BOM Doc No: <Cage Code>		Document number	Revision
Design Created Date: Monday, April 02, 2012		<b>BRD4168A</b>	<b>A02</b>
Sheet Created Date: Monday, April 02, 2012		Sheet Modified Date: Wednesday, May 15, 2019	Sheet 2 of 4

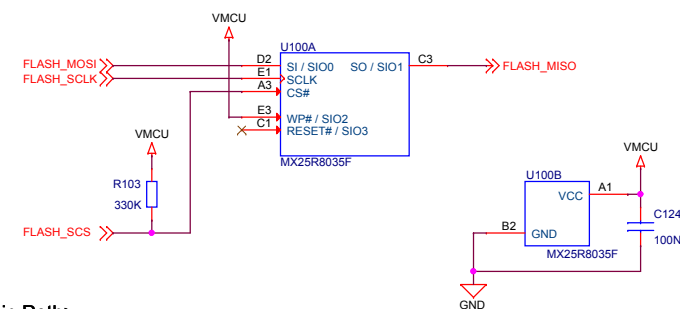
# EFR32 Pin Mapping



# EFR32 I/O Port Pins



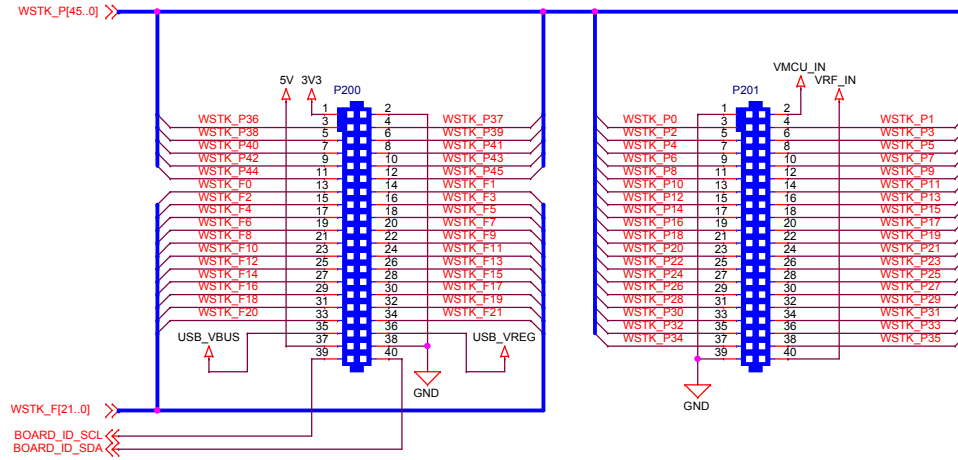
# Serial Flash



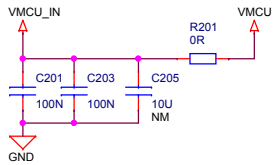
# <Schematic Path> SCHEMATIC1

		Schematic Title	
		<b>EFR32MG13 2.4 GHz 19 dBm Radio Board</b>	
Designed: JSH Approved: JNO		Page Title	
		<b>EFR32 I/O Port Connections</b>	
Size: A3	BOM Doc No: <Cage Code>	Document number	Revision
Design Created Date: Monday, April 02, 2012	Sheet Created Date: Wednesday, April 11, 2012	BRD4168A	A02
	Sheet Modified Date: Wednesday, May 15, 2019		Sheet 3 of 4

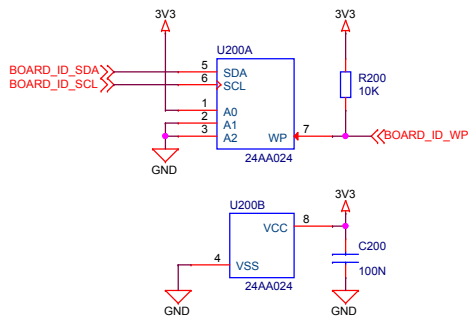
# WSTK Connectors



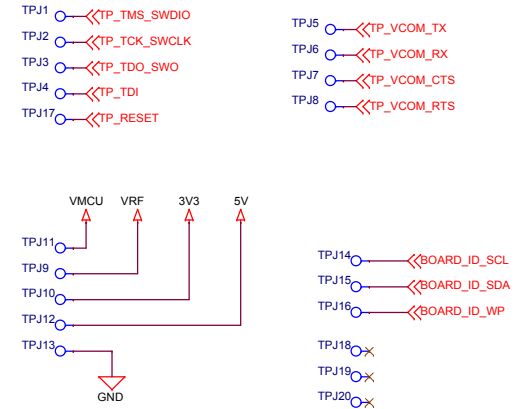
## WSTK Power Decoupling



## Board Identification



## Test Points



<Schematic Path>  
SCHEMATIC1

		Schematic Title	
		<b>EFR32MG13 2.4 GHz 19 dBm Radio Board</b>	
Designed: JSH Approved: JNO		Page Title	
		<b>WSTK Connectors &amp; Board ID</b>	
Size: A3	BOM Doc No: <Cage Code>	Document number	Revision
Design Created Date: Monday, April 02, 2012	Sheet Created Date: Tuesday, April 03, 2012	Document number: <b>BRD4168A</b>	Revision: <b>A02</b>
	Sheet Modified Date: Wednesday, May 15, 2019		Sheet 4 of 4