

5

4

3

2

1




EFR32xG24B Radio Board	
2.4 GHz 10 dBm	
Board Function	Page
Title Page	1
RF, Antenna and Power	2
EFR32 Signal Assignments	3
WSTK Connectors & Board ID	4

Revision History	
Rev.	Description
A00	Initial release.
A01	U1 with new factory calibrations



LEGAL NOTICE:
SILICON LABORATORIES INC. ("SILICON LABS") AND/OR ITS LICENSORS DO NOT WARRANT THE ACCURACY OR COMPLETENESS OF THIS SCHEMATIC OR ANY INFORMATION CONTAINED WITHIN THIS SCHEMATIC. IT IS PROVIDED "AS-IS" FOR REFERENCE ONLY. SILICON LABS DOES NOT WARRANT THAT THIS DESIGN WILL MEET THE SPECIFICATIONS, BE SUITABLE FOR YOUR APPLICATION OR FIT FOR ANY PARTICULAR PURPOSE, OR WILL OPERATE IN YOUR IMPLEMENTATION. SILICON LABS AND ITS LICENSORS DO NOT WARRANT THAT THE DESIGN IMPLIED IN THIS SCHEMATIC IS PRODUCTION-WORTHY. YOU SHOULD COMPLETELY VALIDATE AND TEST YOUR DESIGN IMPLEMENTATION TO CONFIRM SYSTEM FUNCTIONALITY FOR YOUR APPLICATION.

 SILICON LABS		Board Name	
		EFR32xG24B 2.4 GHz 10 dBm Radio Board	
Designed		Approved	
TAB		RGU	
Size	Sheet Modified Date	Board Number	
A3	Monday, January 31, 2022	BRD4186C	
			Revision
			A01
			Sheet
			1 of 4

5

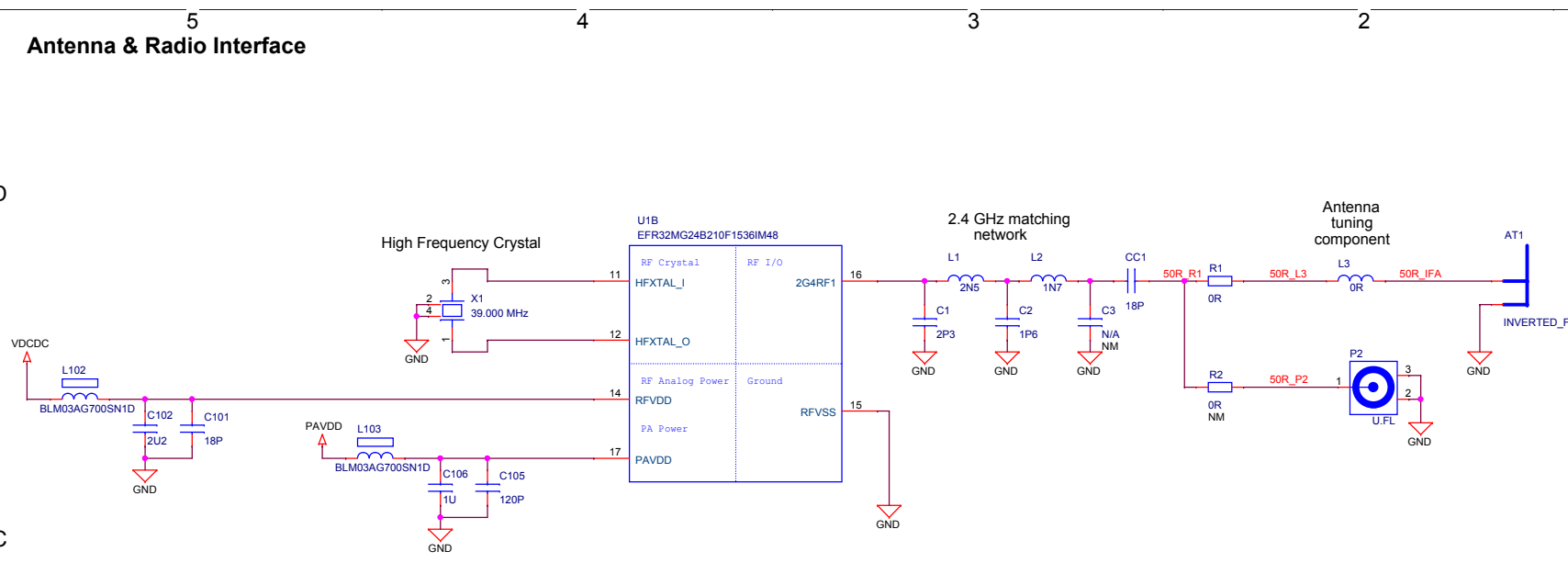
4

3

2

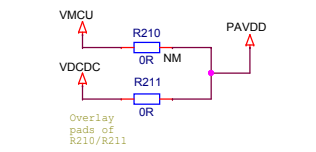
1

Antenna & Radio Interface

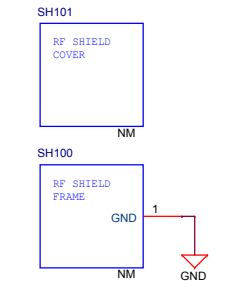


PAVDD Configuration

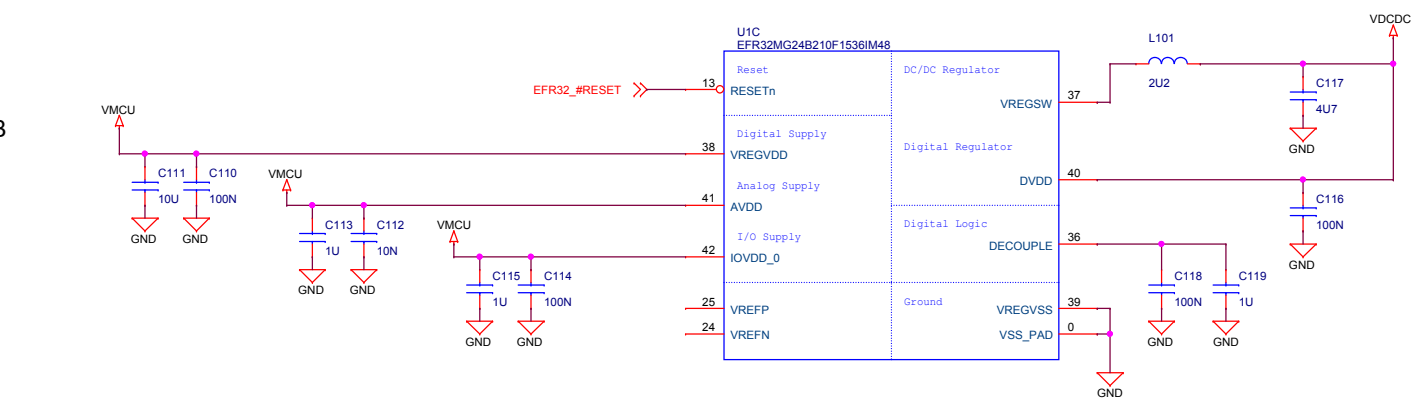
	Power Config 1 VMCU to PAVDD	Power Config 2 DCDC to PAVDD
R210	Mount	Not mount
R211	Not mount	Mount



RF Shielding

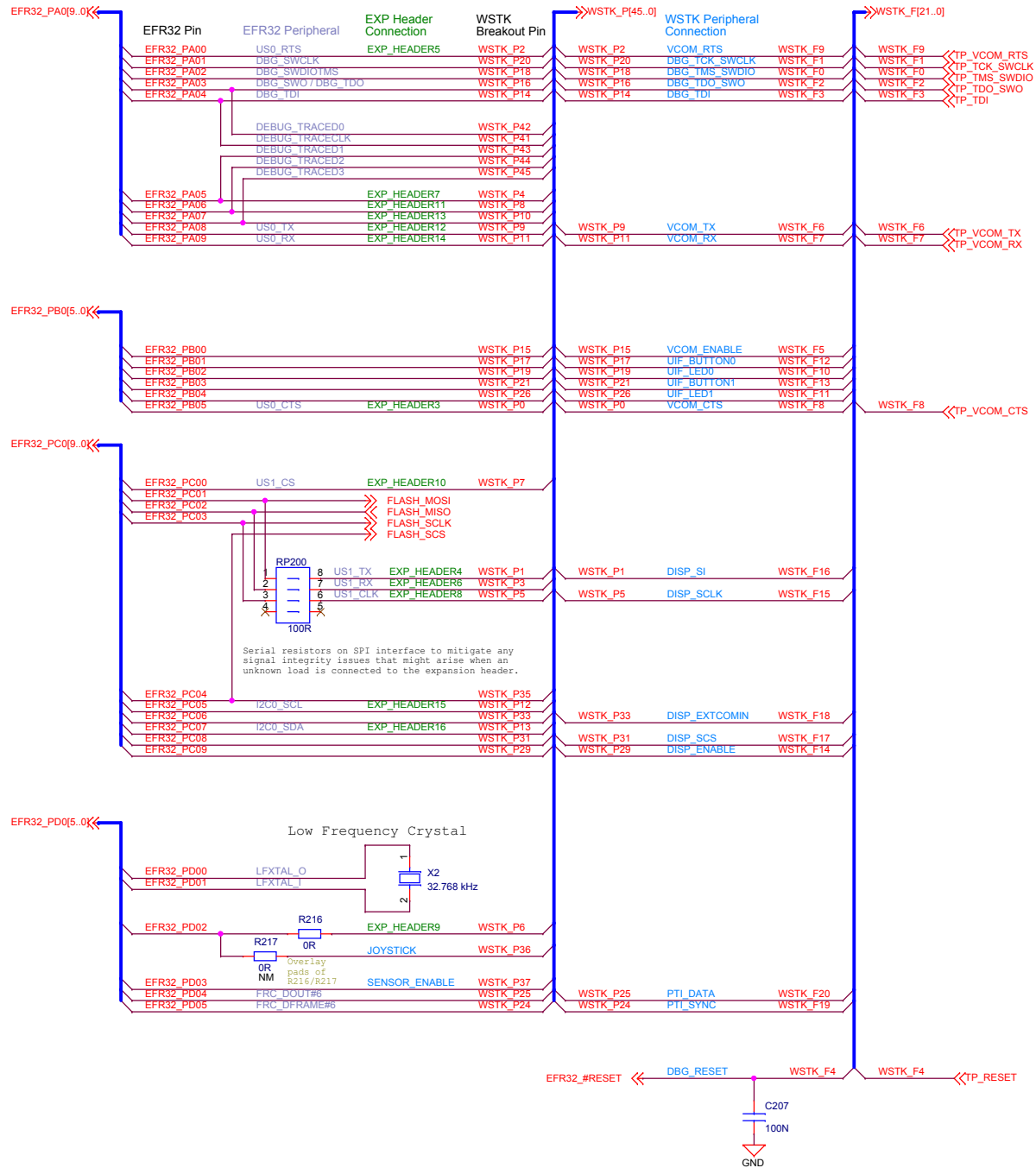


Power & Decoupling

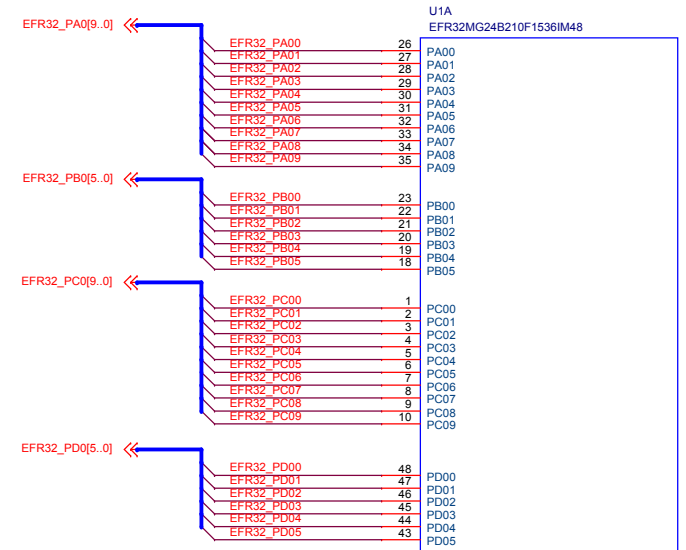


		Board Name	EFR32xG24B 2.4 GHz 10 dBm Radio Board
		Page Title	RF & Power
Designed TAB	Approved RGU	Board Number	BRD4186C
Size A3	Sheet Modified Date Monday, January 31, 2022	Revision	A01
COPYRIGHT SILICON LABORATORIES INC. 2020 CONFIDENTIAL – SUBJECT TO TERMS OF USE			Sheet 2 of 4

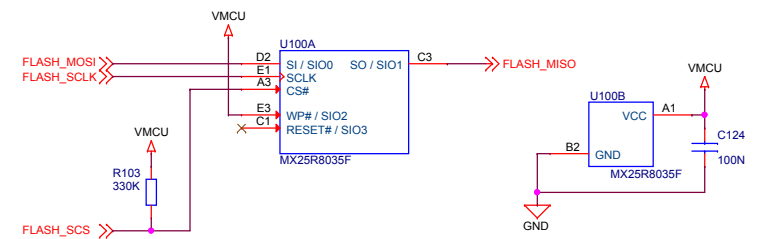
Pin Mapping



I/O Port Pins

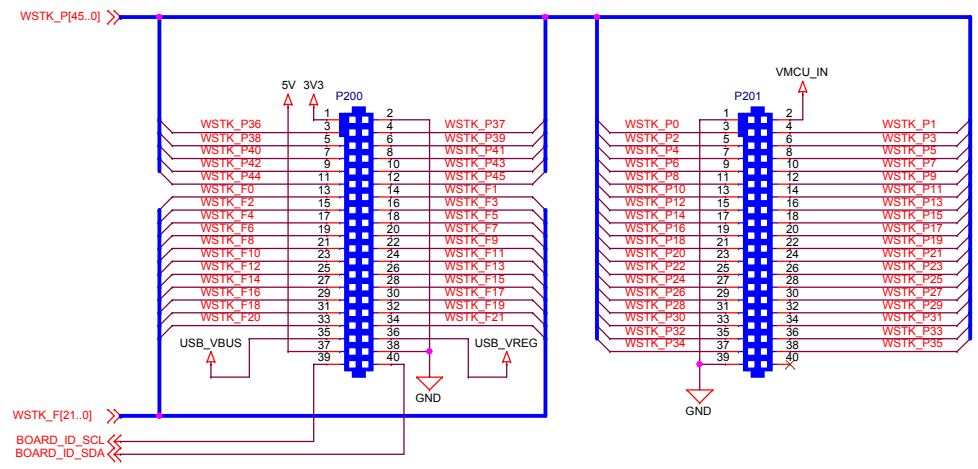


Serial Flash

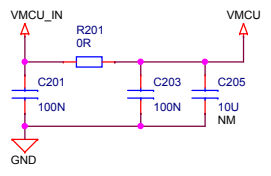


		Board Name	
		EFR32xG24B 2.4 GHz 10 dBm Radio Board	
Designed TAB		Page Title	
		EFR32 Signal Assignments	
Size A3		Board Number	Revision
Sheet Modified Date Monday, January 31, 2022		BRD4186C	A01
COPYRIGHT SILICON LABORATORIES INC. 2020 CONFIDENTIAL – SUBJECT TO TERMS OF USE			
			Sheet 3 of 4

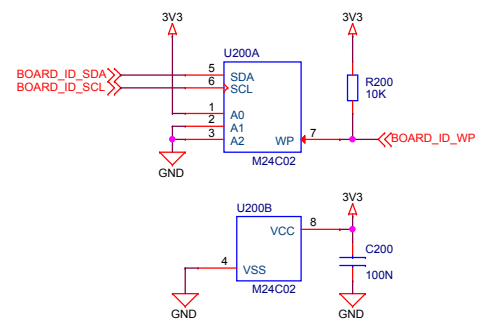
WSTK Connectors



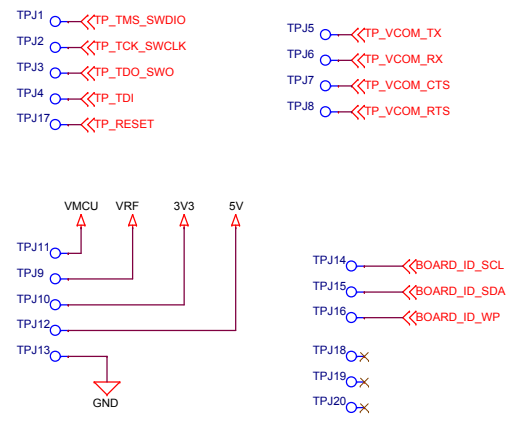
WSTK Power Decoupling



Board Identification



Test Points



		Board Name	
		EFR32xG24B 2.4 GHz 10 dBm Radio Board	
Designed TAB		Page Title	
		WSTK Connectors & Board ID	
Size A3		Board Number	Revision
Sheet Modified Date Monday, January 31, 2022		BRD4186C	A01
COPYRIGHT SILICON LABORATORIES INC. 2020 CONFIDENTIAL – SUBJECT TO TERMS OF USE			
Sheet 4 of 4			