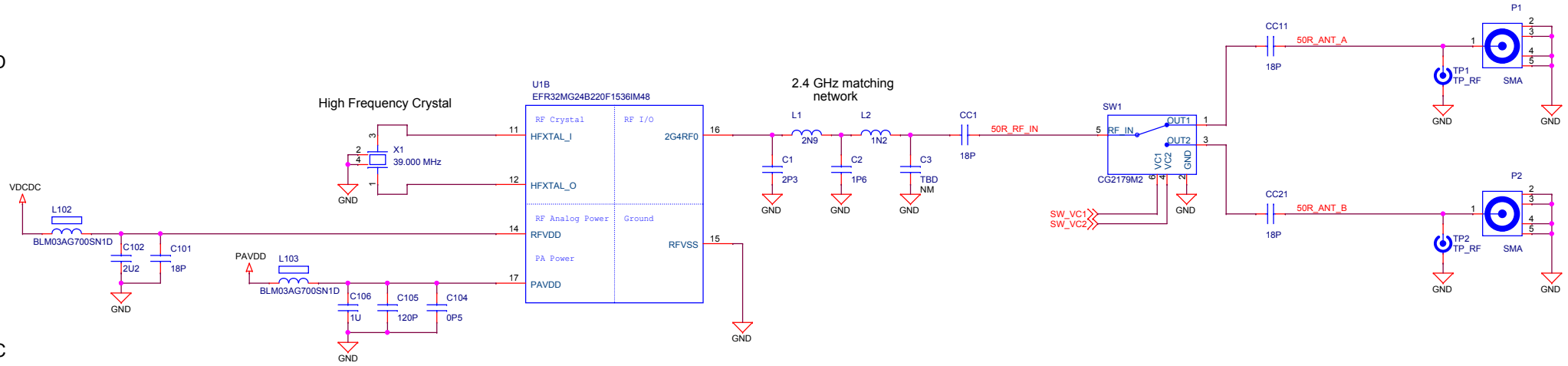
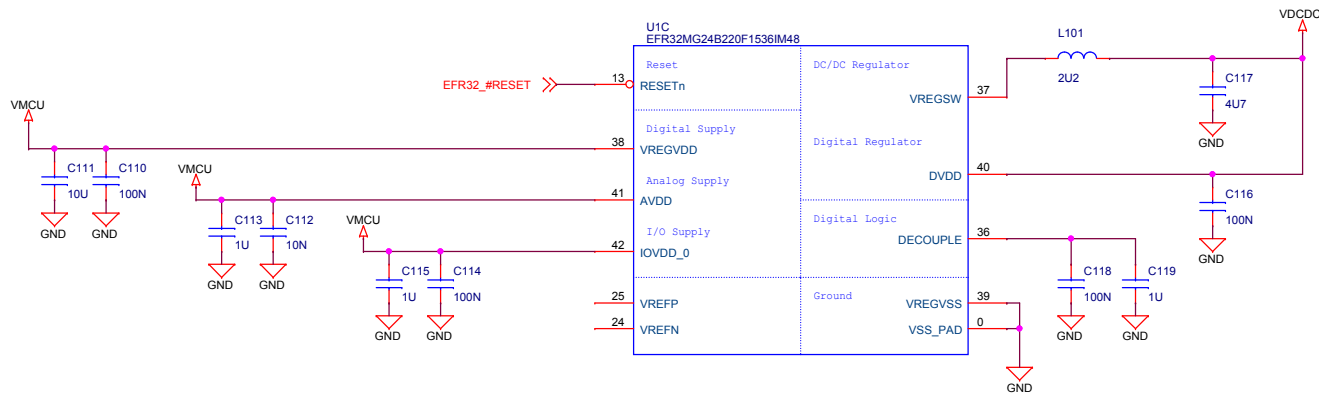




# Antenna & Radio Interface

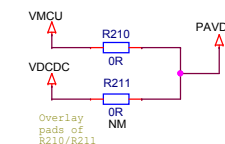


# Power & Decoupling

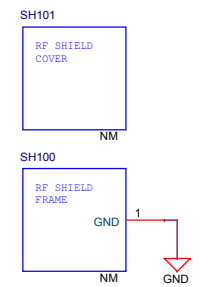


# PAVDD Configuration

	Power Config 1 VMCU to PAVDD	Power Config 2 DCDC to PAVDD
R210	Mount	Not mount
R211	Not mount	Mount

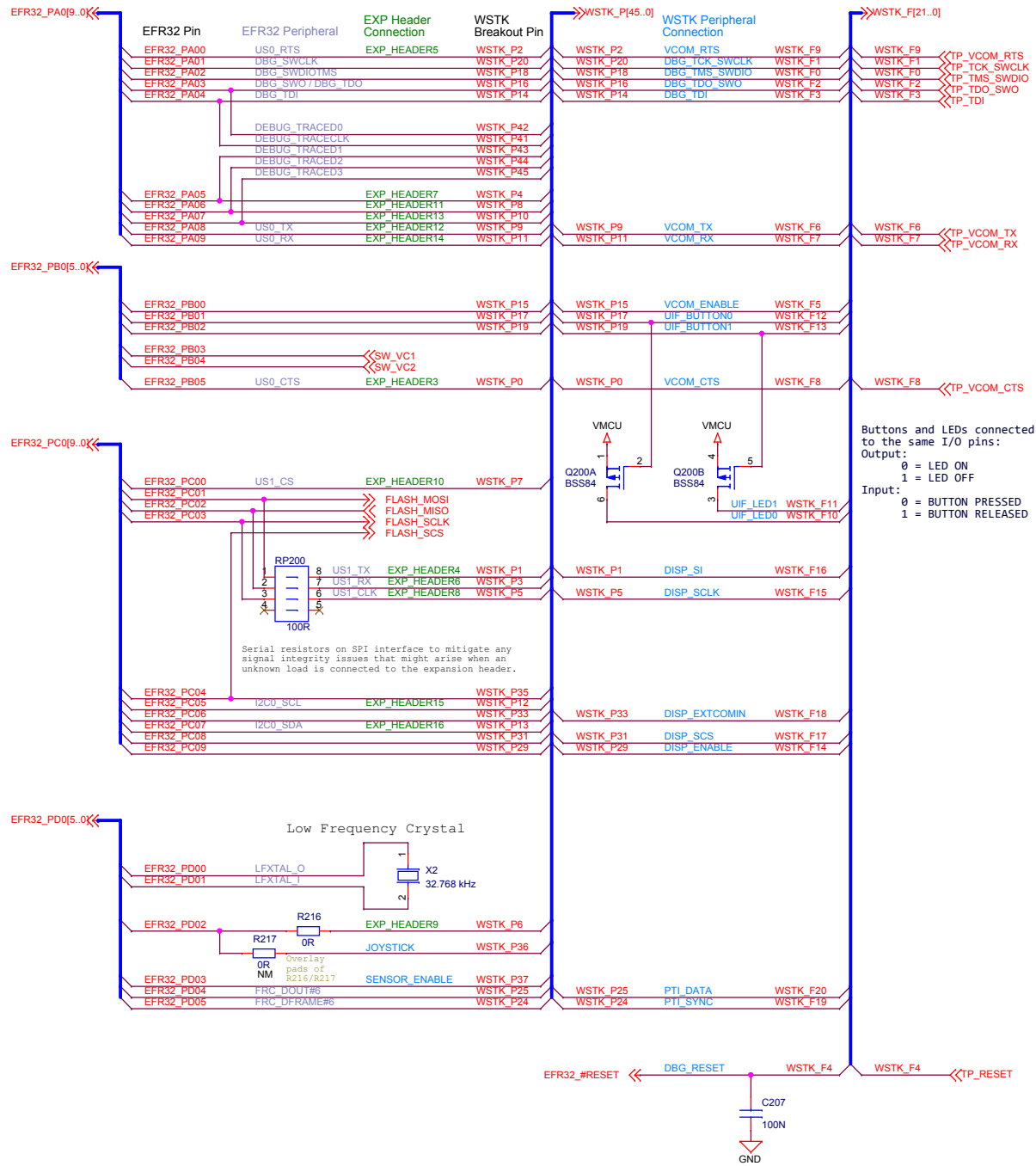


# RF Shielding

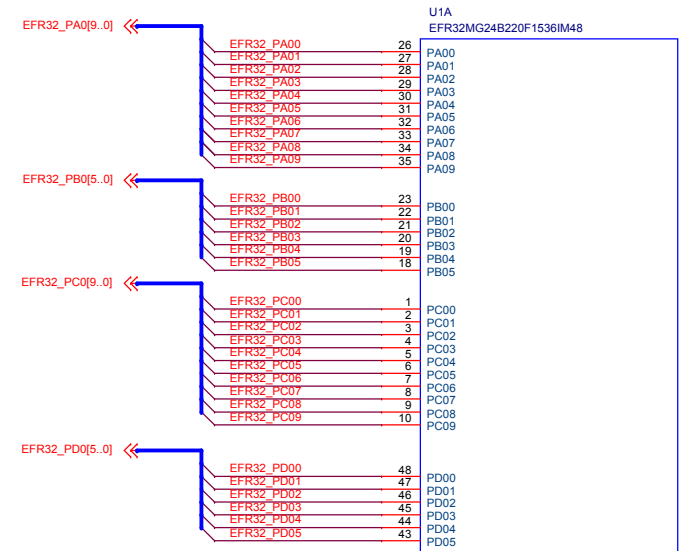


		Board Name	
		EFR32xG24B 2.4 GHz 20 dBm Ant. Div. Radio Board	
Designed TAB		Page Title	
		RF & Power	
Size A3		Board Number	Revision
Sheet Modified Date Friday, September 10, 2021		BRD4188B	A00
COPYRIGHT SILICON LABORATORIES INC. 2020		CONFIDENTIAL - SUBJECT TO TERMS OF USE	
		Sheet 2 of 4	

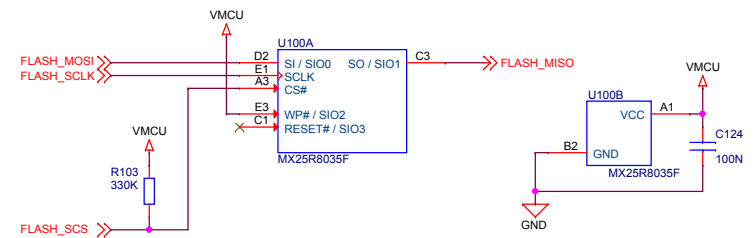
# Pin Mapping



# I/O Port Pins

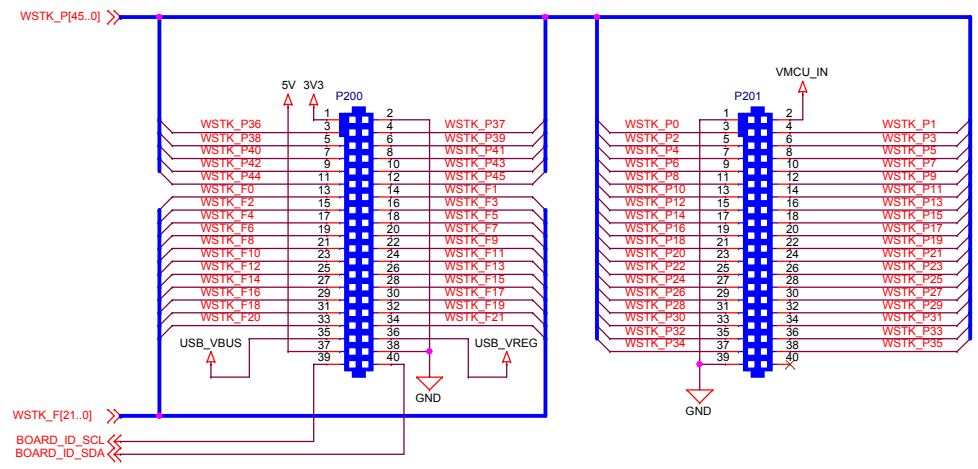


# Serial Flash

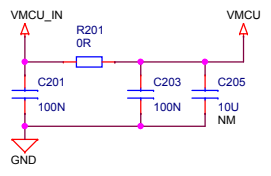


		Board Name	
		<b>EFR32xG24B 2.4 GHz 20 dBm Ant. Div. Radio Board</b>	
<b>SILICON LABS</b>		Page Title	
		<b>EFR32 Signal Assignments</b>	
Designed TAB		Approved RGU	
Size A3	Sheet Modified Date Friday, September 10, 2021	Board Number <b>BRD4188B</b>	Revision <b>A00</b>
COPYRIGHT SILICON LABORATORIES INC. 2020			CONFIDENTIAL – SUBJECT TO TERMS OF USE
			Sheet 3 of 4

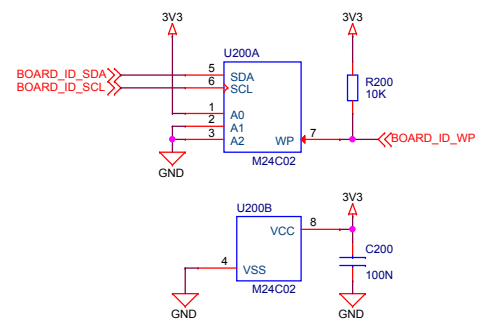
# WSTK Connectors



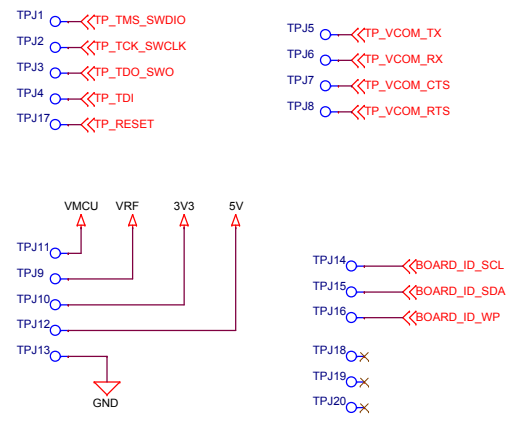
## WSTK Power Decoupling



## Board Identification



## Test Points



		Board Name	
		EFR32xG24B 2.4 GHz 20 dBm Ant. Div. Radio Board	
Designed TAB		Page Title	
		WSTK Connectors & Board ID	
Size A3		Board Number	Revision
Sheet Modified Date Friday, September 10, 2021		BRD4188B	A00
COPYRIGHT SILICON LABORATORIES INC. 2020    CONFIDENTIAL – SUBJECT TO TERMS OF USE			
			Sheet 4 of 4