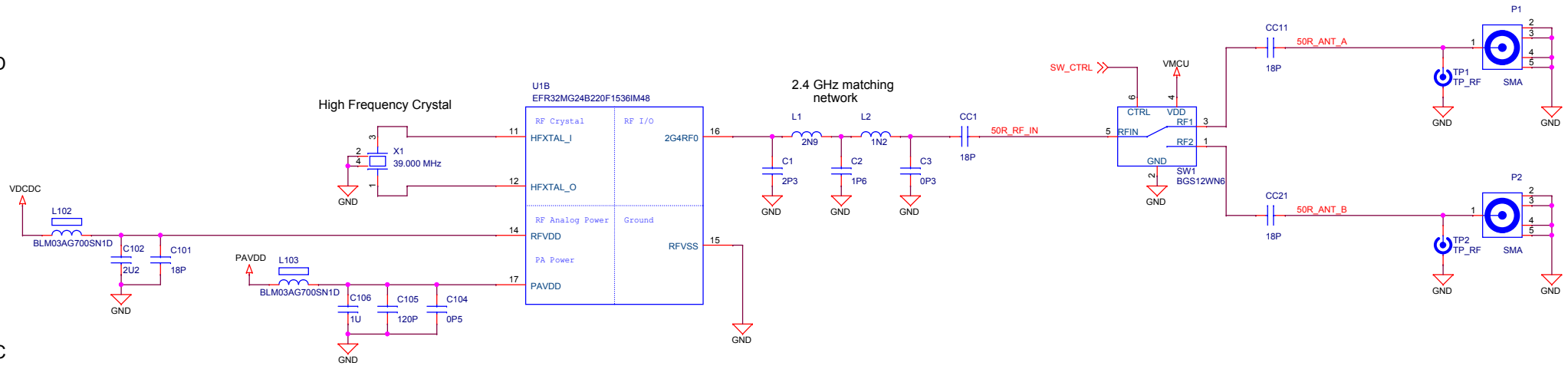
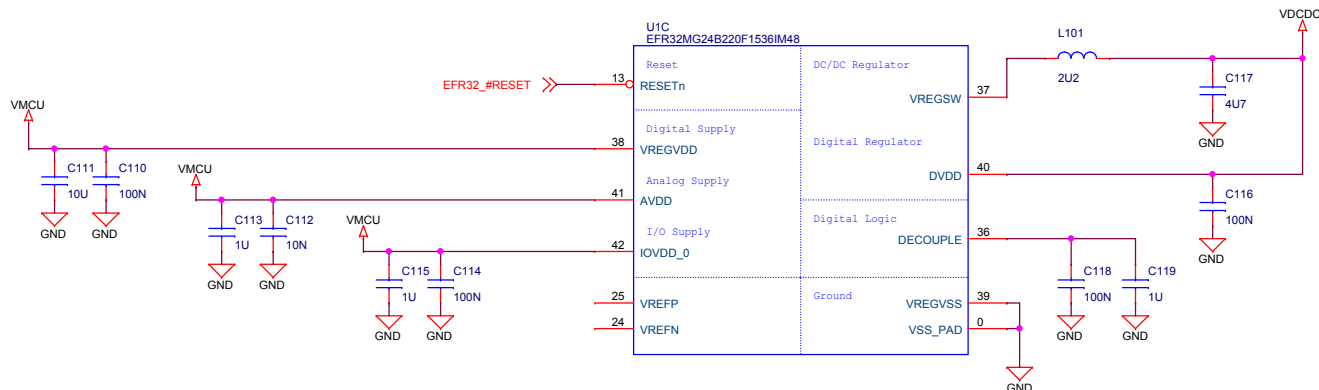


Antenna & Radio Interface

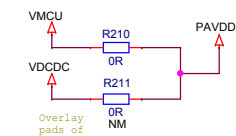


Power & Decoupling

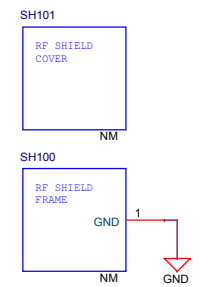


PAVDD Configuration

	Power Config 1 VMCU to PAVDD	Power Config 2 DCDC to PAVDD
R210	Mount	Not mount
R211	Not mount	Mount

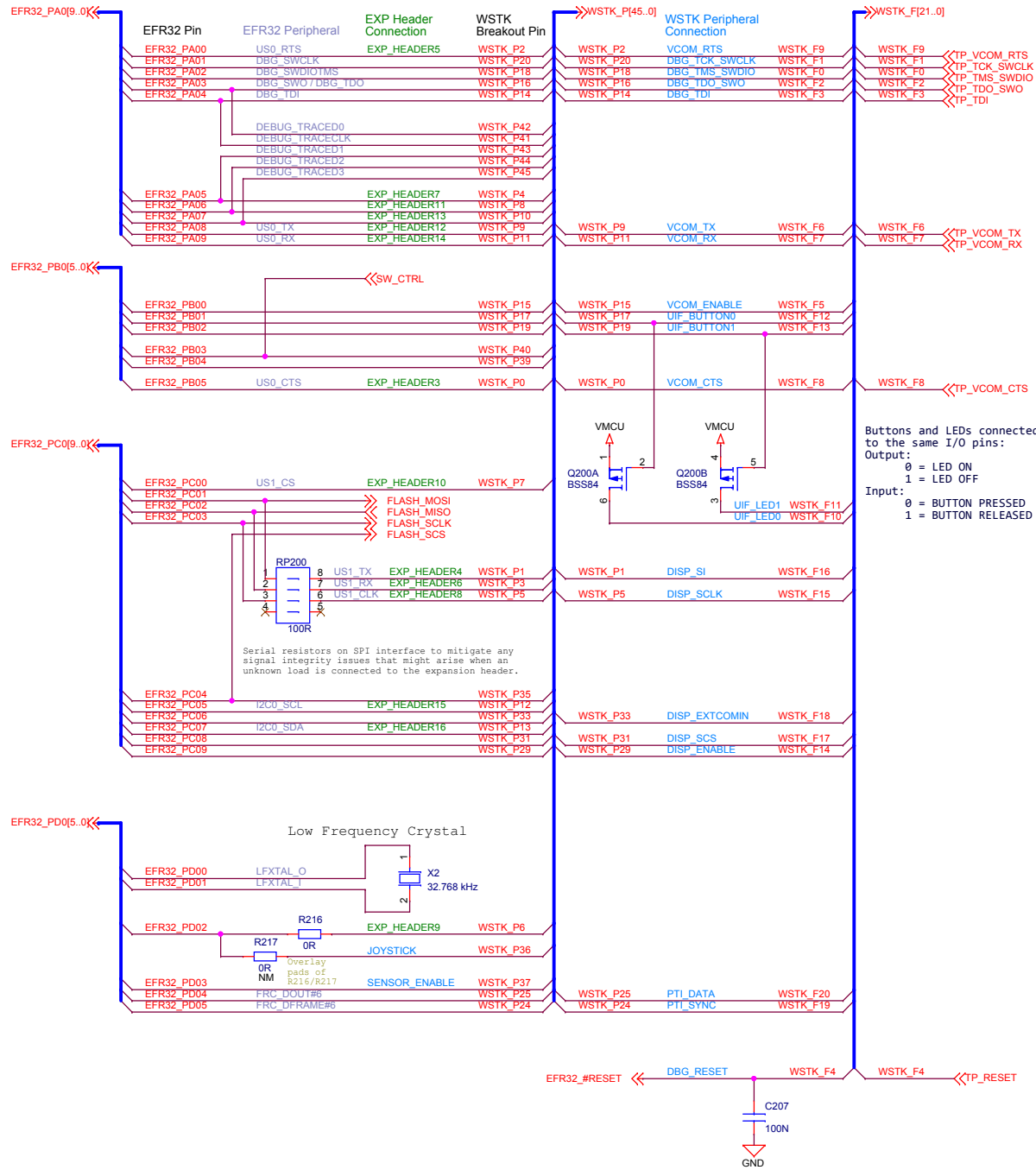


RF Shielding

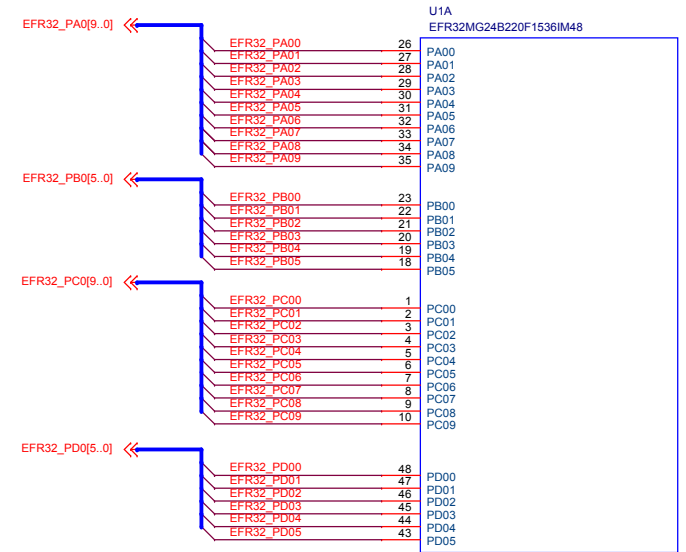


		Board Name	
		EFR32xG24B 2.4 GHz 20 dBm Ant. Div. Radio Board	
Designed SZL		Page Title	
		RF & Power	
Size A3		Board Number BRD4188B	Revision A02
Sheet Modified Date Thursday, April 07, 2022		Copyright Silicon Laboratories Inc. 2020 CONFIDENTIAL - SUBJECT TO TERMS OF USE	
		Sheet 2 of 4	

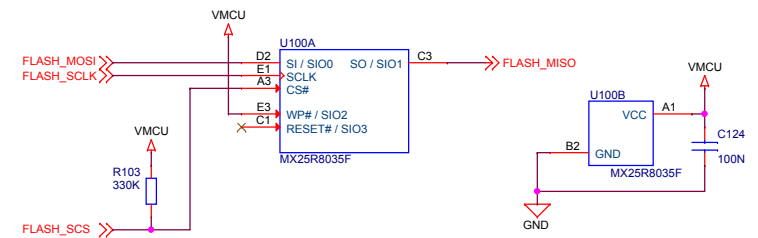
Pin Mapping



I/O Port Pins

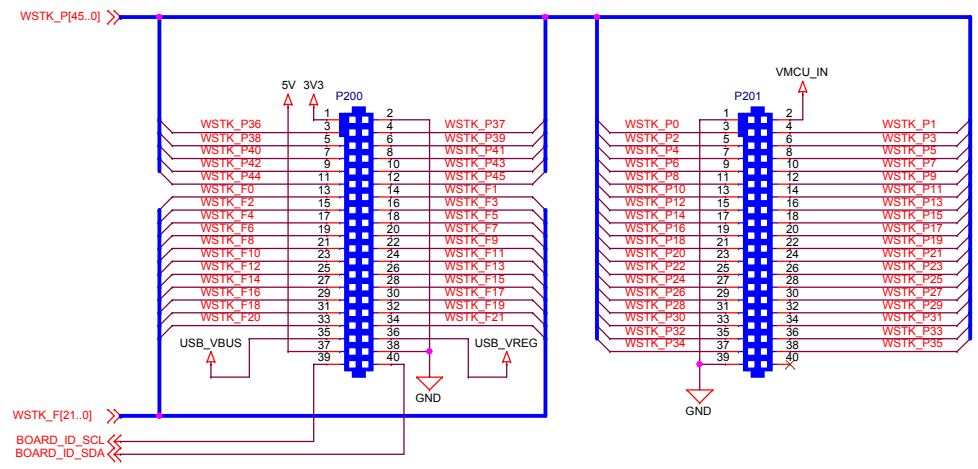


Serial Flash

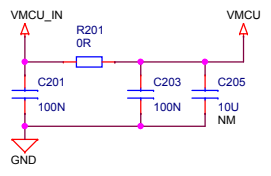


		Board Name	
		EFR32xG24B 2.4 GHz 20 dBm Ant. Div. Radio Board	
Designed SZL Approved RGU		Page Title	
		EFR32 Signal Assignments	
Size A3	Sheet Modified Date Thursday, April 07, 2022	Board Number BRD4188B	Revision A02
COPYRIGHT SILICON LABORATORIES INC. 2020			CONFIDENTIAL - SUBJECT TO TERMS OF USE
			Sheet 3 of 4

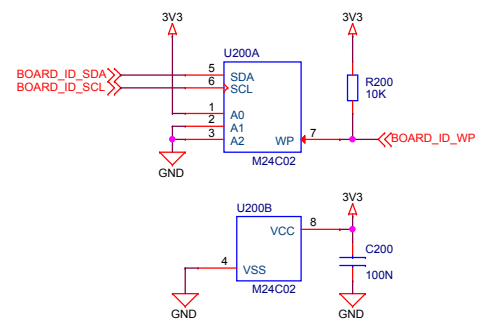
WSTK Connectors



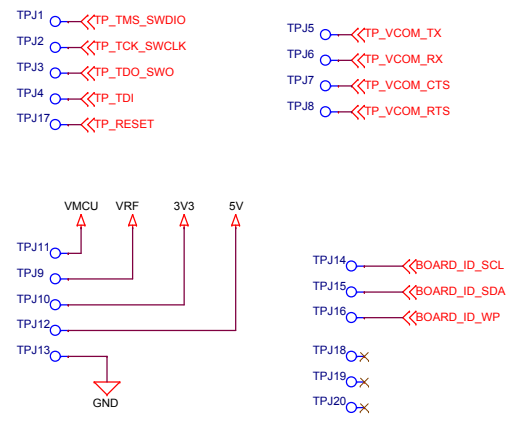
WSTK Power Decoupling



Board Identification



Test Points



		Board Name	
		EFR32xG24B 2.4 GHz 20 dBm Ant. Div. Radio Board	
Designed SZL		Page Title	
		WSTK Connectors & Board ID	
Size A3		Board Number	Revision
Sheet Modified Date Thursday, April 07, 2022		BRD4188B	A02
COPYRIGHT SILICON LABORATORIES INC. 2020 CONFIDENTIAL – SUBJECT TO TERMS OF USE			Sheet 4 of 4