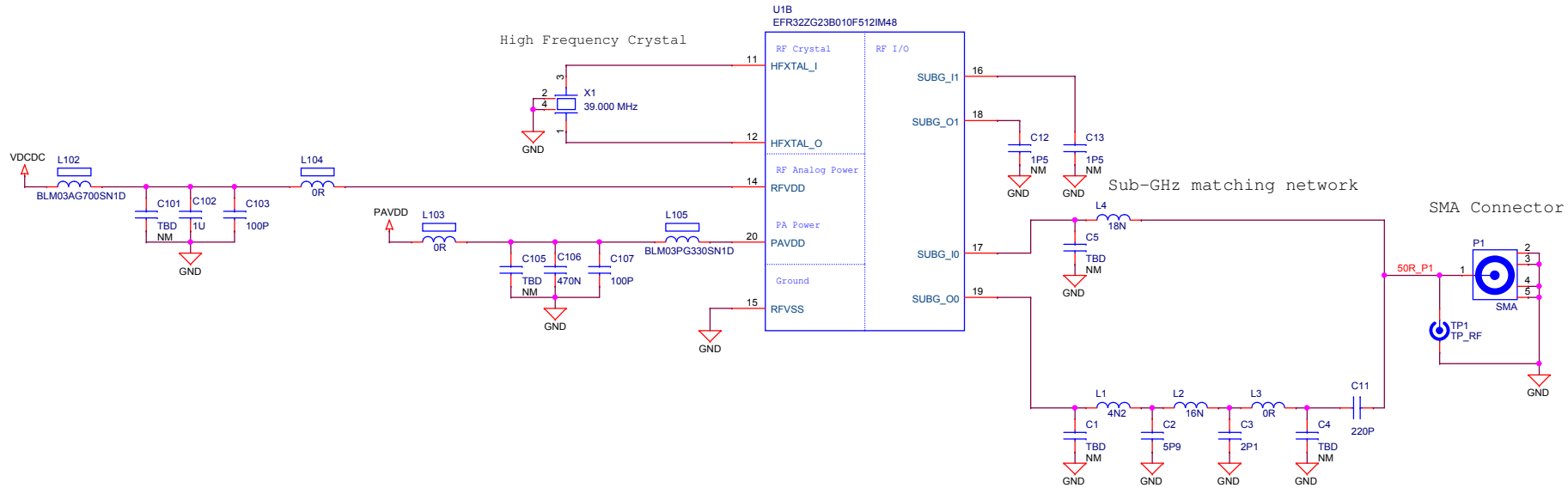
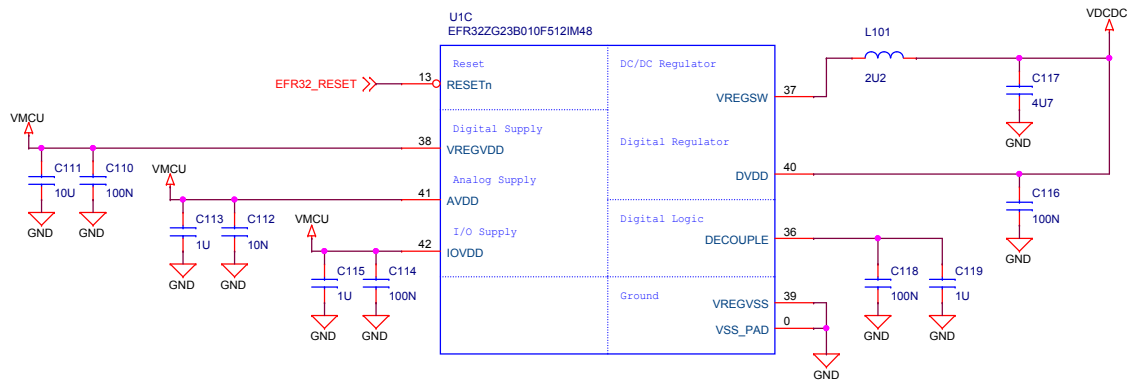


Radio Interface

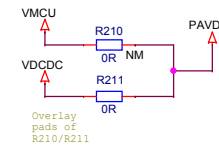


Power & Decoupling

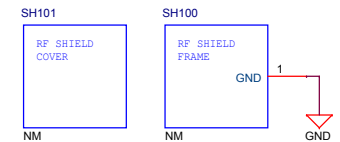


PAVDD Configuration

	Power Config 1 VMCU to PAVDD	Power Config 2 DCDC to PAVDD
R210	Mount	Not mount
R211	Not mount	Mount

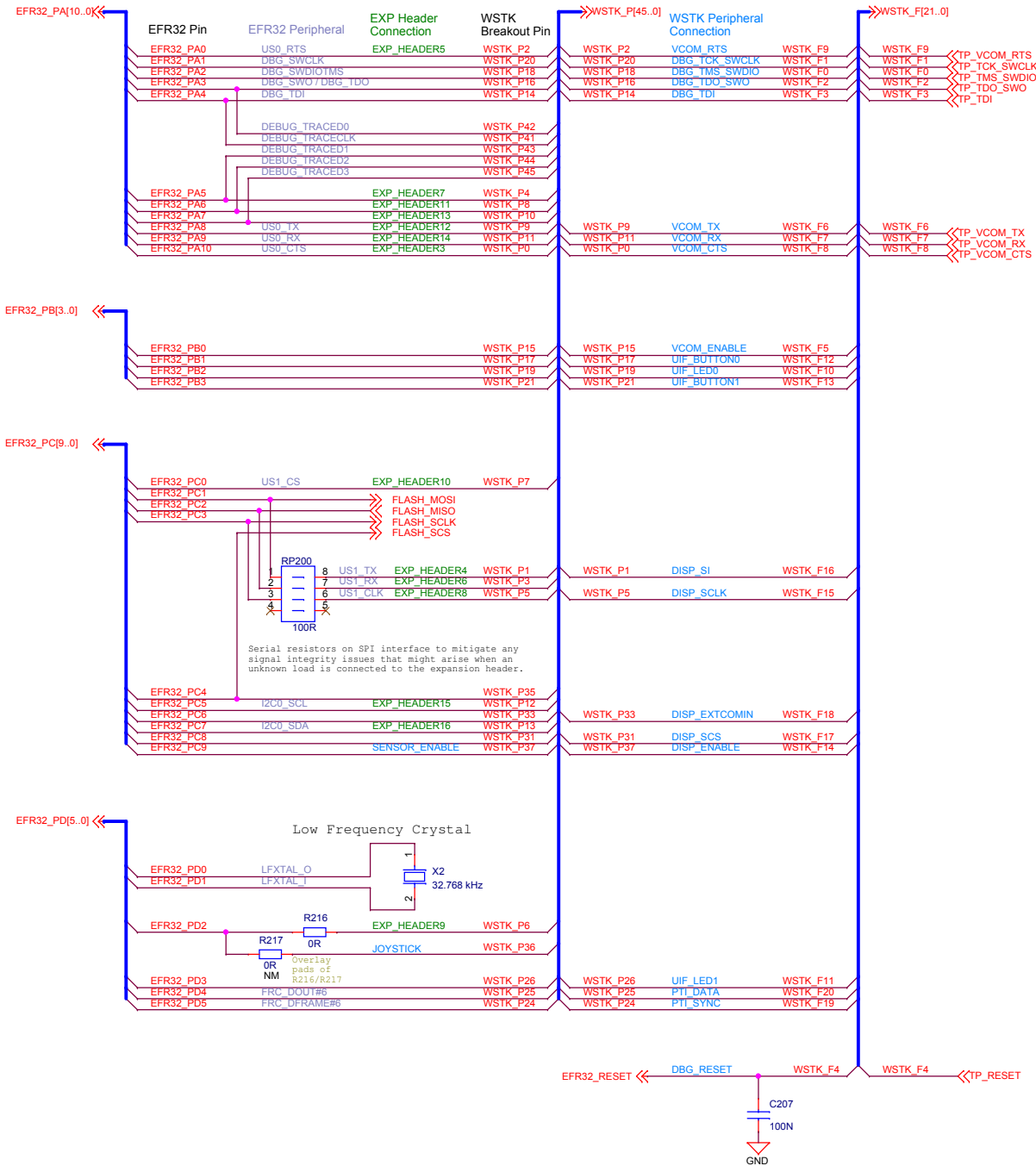


RF Shielding

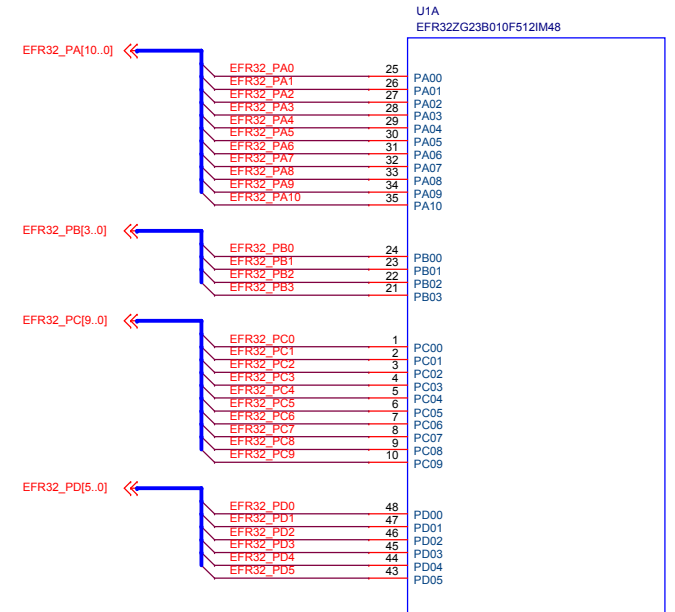


		Board Name	
		xG23B 868-915 MHz 14 dBm Radio Board	
Designed TAB		Page Title	
		RF & Power	
Size A3		Board Number	
		BRD4204D	
Sheet Modified Date Thursday, July 15, 2021		Revision	
		A00	
COPYRIGHT SILICON LABORATORIES INC. 2020 CONFIDENTIAL – SUBJECT TO TERMS OF USE			
			Sheet 2 of 4

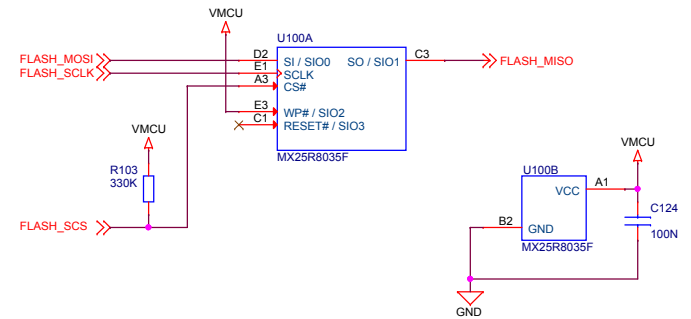
Pin Mapping



I/O Port Pins

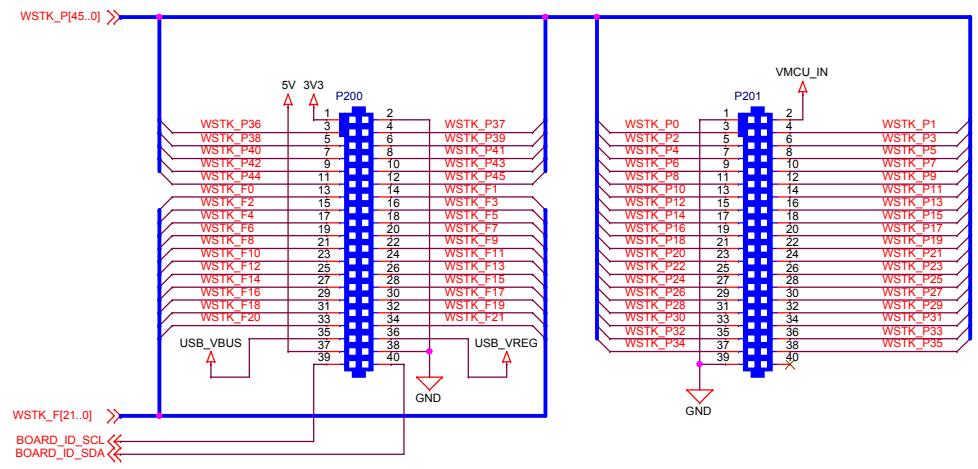


Serial Flash

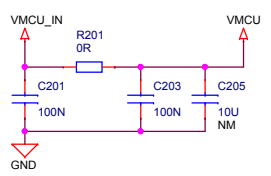


		Board Name	
		xG23B 868-915 MHz 14 dBm Radio Board	
SILICON LABS		Page Title	
		EFR32 Signal Assignments	
Designed TAB		Approved RGU	
Size A3		Revision A00	
Sheet Modified Date Thursday, July 15, 2021		Board Number BRD4204D	
COPYRIGHT SILICON LABORATORIES INC. 2020		CONFIDENTIAL - SUBJECT TO TERMS OF USE	
		Sheet 3 of 4	

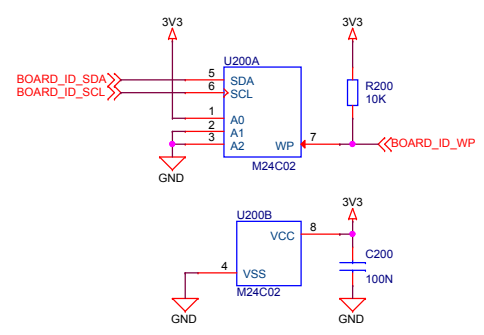
WSTK Connectors



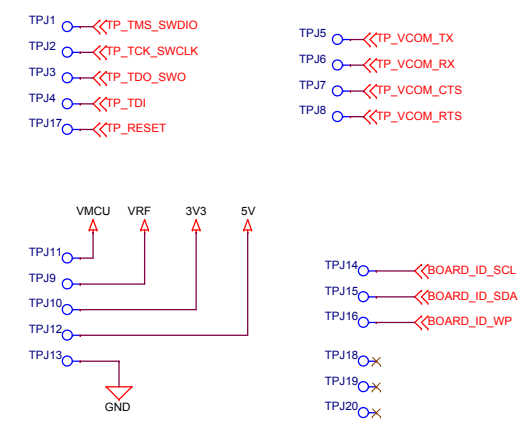
WSTK Power Decoupling



Board Identification



Test Points



		Board Name	
		xG23B 868-915 MHz 14 dBm Radio Board	
Designed TAB		Page Title	
		WSTK Connectors & Board ID	
Size A3		Board Number	Revision
Sheet Modified Date Thursday, July 15, 2021		BRD4204D	A00
COPYRIGHT SILICON LABORATORIES INC. 2020 CONFIDENTIAL – SUBJECT TO TERMS OF USE			
			Sheet 4 of 4