



xG23B Radio Board 868-915 MHz 14 dBm	
Board Function	Page
Title Page	1
RF & Power	2
EFR32 Signal Assignments	3
WSTK Connectors & Board ID	4



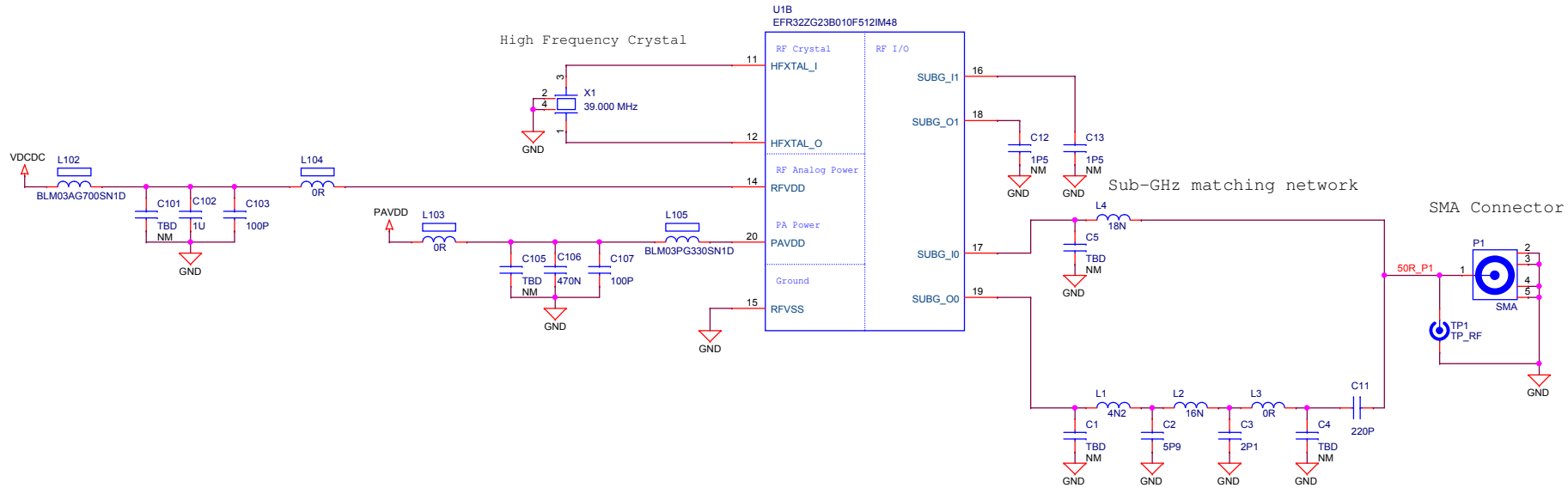
LEGAL NOTICE:
SILICON LABORATORIES INC. ("SILICON LABS") AND/OR ITS LICENSORS DO NOT WARRANT THE ACCURACY OR COMPLETENESS OF THIS SCHEMATIC OR ANY INFORMATION CONTAINED WITHIN THIS SCHEMATIC. IT IS PROVIDED "AS-IS" FOR REFERENCE ONLY. SILICON LABS DOES NOT WARRANT THAT THIS DESIGN WILL MEET THE SPECIFICATIONS, BE SUITABLE FOR YOUR APPLICATION OR FIT FOR ANY PARTICULAR PURPOSE, OR WILL OPERATE IN YOUR IMPLEMENTATION. SILICON LABS AND ITS LICENSORS DO NOT WARRANT THAT THE DESIGN IMPLIED IN THIS SCHEMATIC IS PRODUCTION-WORTHY. YOU SHOULD COMPLETELY VALIDATE AND TEST YOUR DESIGN IMPLEMENTATION TO CONFIRM SYSTEM FUNCTIONALITY FOR YOUR APPLICATION.

Revision History	
Rev.	Description
A00	Initial production release.
A01	Updated U1 OPN.

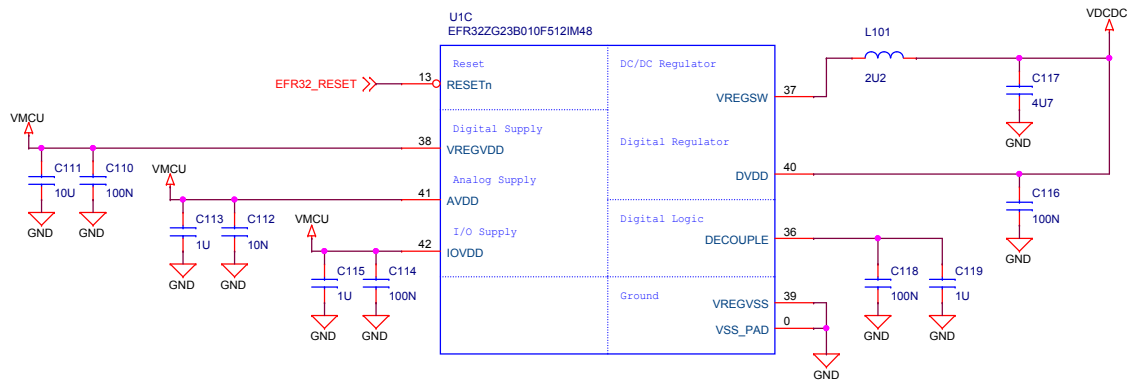
 SILICON LABS		Board Name	
		xG23B 868-915 MHz 14 dBm Radio Board	
Designed		Approved	
TAB		RGU	
Size	Sheet Modified Date	Board Number	
A3	Friday, April 22, 2022	BRD4204D	
			Revision
			A01
			Sheet
			1 of 4

COPYRIGHT SILICON LABORATORIES INC. 2020 CONFIDENTIAL – SUBJECT TO TERMS OF USE

Radio Interface

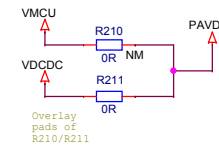


Power & Decoupling

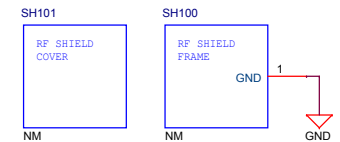


PAVDD Configuration

	Power Config 1 VMCU to PAVDD	Power Config 2 DCDC to PAVDD
R210	Mount	Not mount
R211	Not mount	Mount

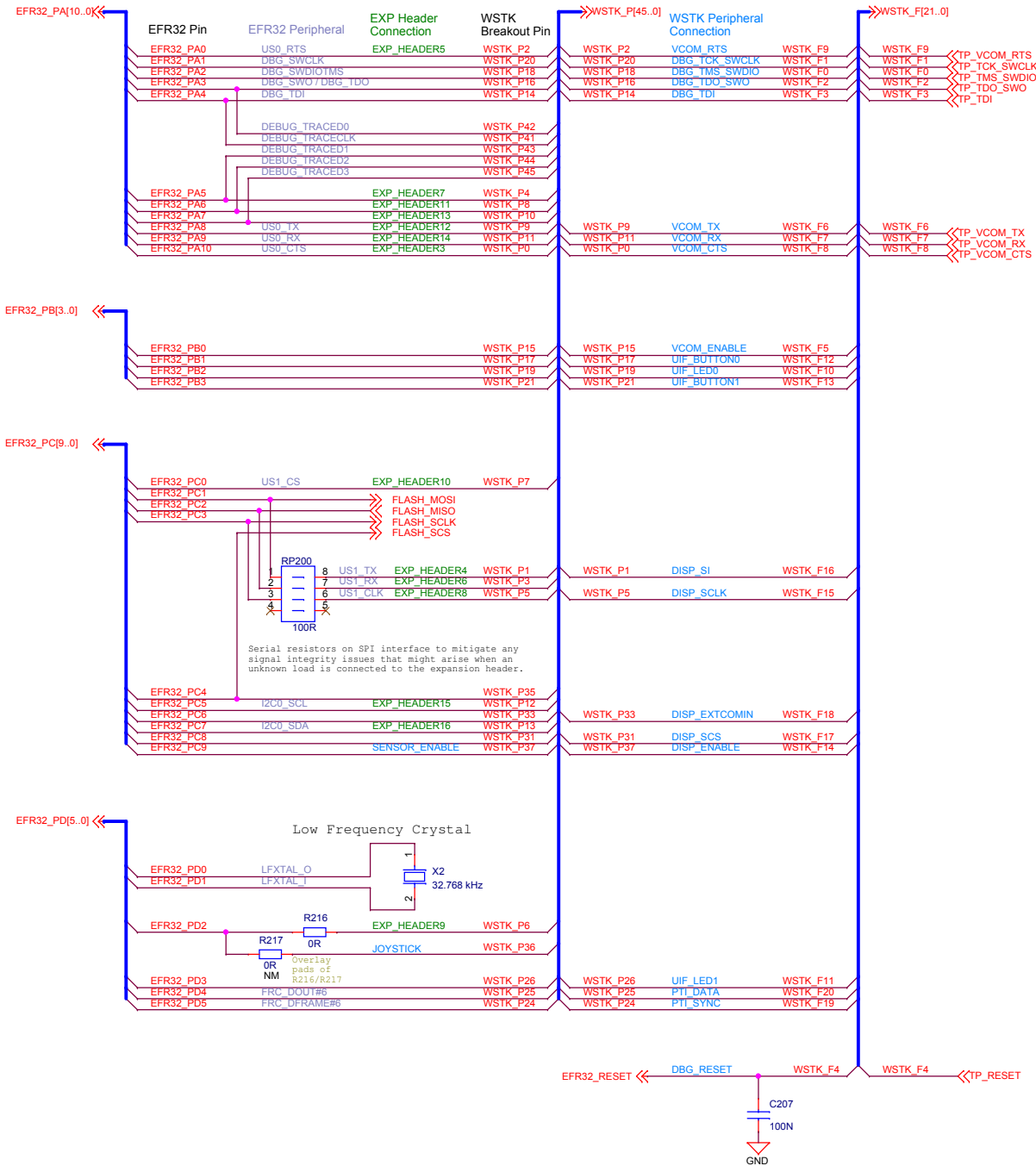


RF Shielding

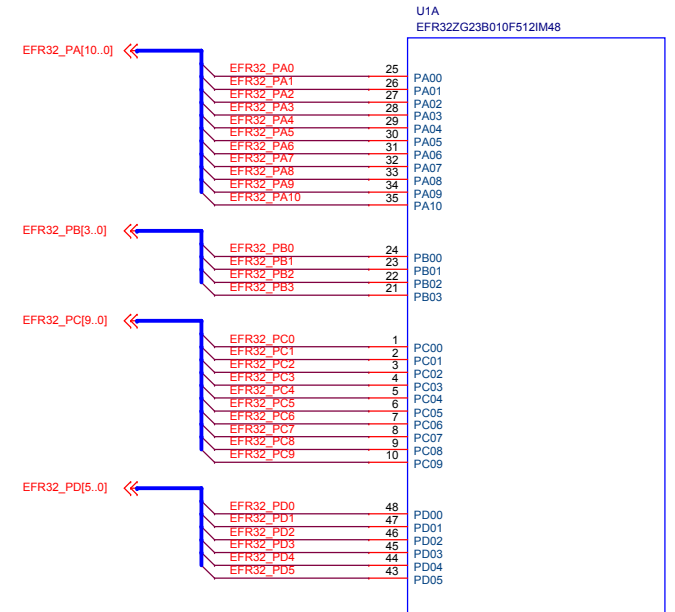


		Board Name	
		xG23B 868-915 MHz 14 dBm Radio Board	
Designed TAB		Approved	
		RGU	
Page Title	Revision		
RF & Power	A01		
Board Number	Revision		
BRD4204D	A01		
Size		Sheet Modified Date	
A3		Friday, April 22, 2022	
COPYRIGHT SILICON LABORATORIES INC. 2020 CONFIDENTIAL – SUBJECT TO TERMS OF USE			
			Sheet 2 of 4

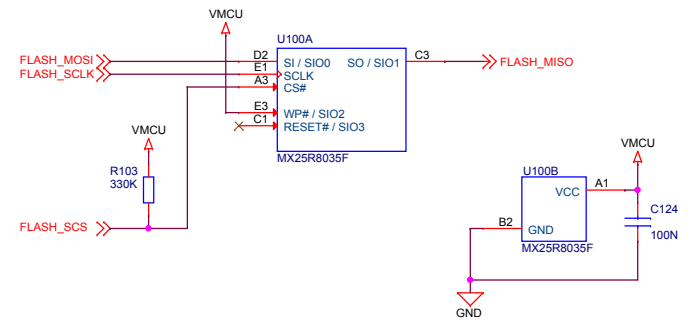
Pin Mapping



I/O Port Pins

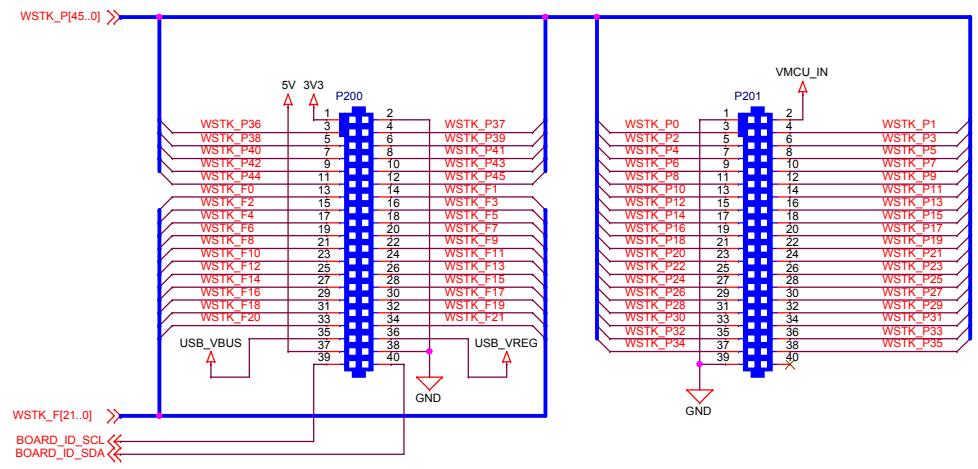


Serial Flash

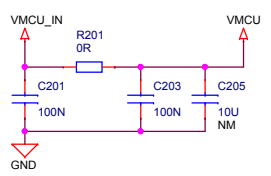


		Board Name	
		xG23B 868-915 MHz 14 dBm Radio Board	
SILICON LABS		Page Title	
		EFR32 Signal Assignments	
Designed TAB		Approved RGU	
Board Number		Revision	
BRD4204D		A01	
Size A3		Sheet Modified Date	
Friday, April 22, 2022		Friday, April 22, 2022	
COPYRIGHT SILICON LABORATORIES INC. 2020 CONFIDENTIAL – SUBJECT TO TERMS OF USE			
Sheet 3 of 4			

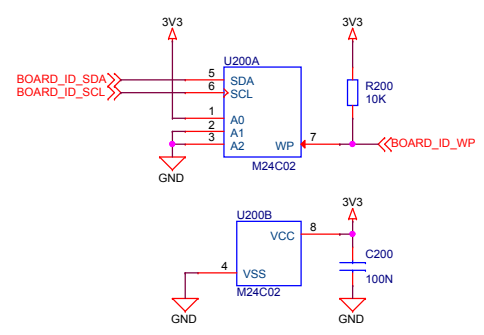
WSTK Connectors



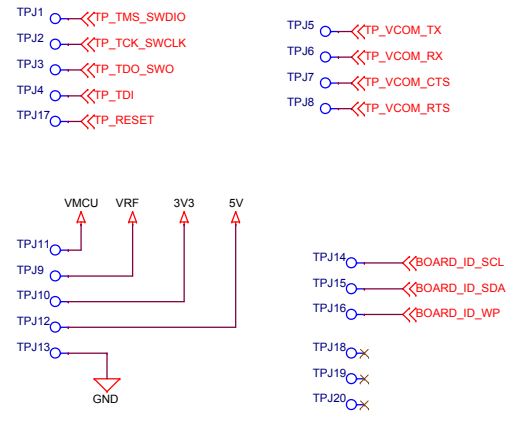
WSTK Power Decoupling



Board Identification



Test Points



		Board Name	
		xG23B 868-915 MHz 14 dBm Radio Board	
Designed TAB		Page Title	
		WSTK Connectors & Board ID	
Size A3		Board Number	Revision
Sheet Modified Date Friday, April 22, 2022		BRD4204D	A01
COPYRIGHT SILICON LABORATORIES INC. 2020 CONFIDENTIAL – SUBJECT TO TERMS OF USE			
			Sheet 4 of 4