



ZGM130S Long Range Radio Board


<Header B>

Board Function	Page
Title Page	1
RF, Antenna & Power	2
EFR32 Signal Assignments	3
WSTK Connectors & Board ID	4

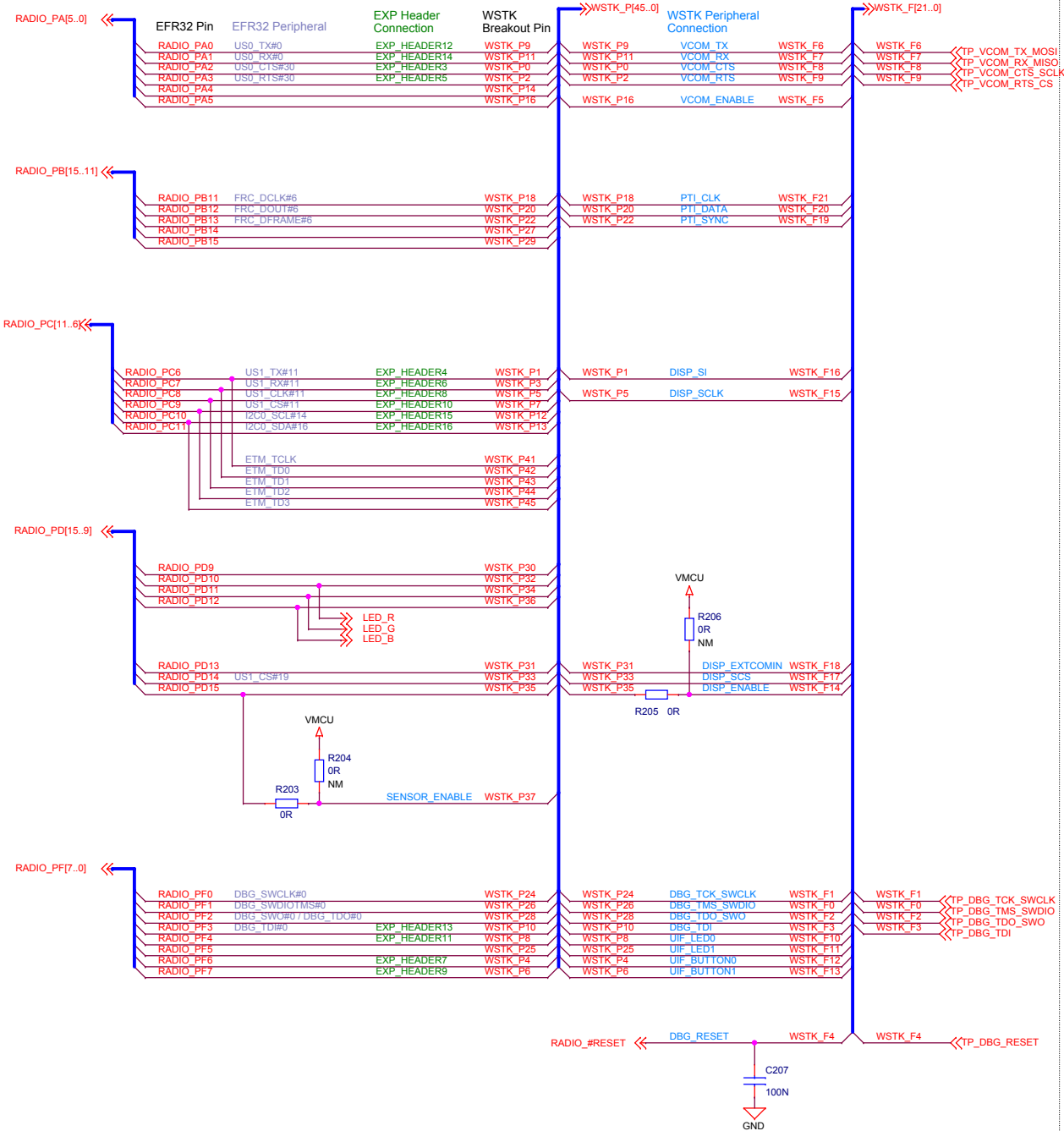
LEGAL NOTICE:
 SILICON LABORATORIES INC. ("SILICON LABS") AND/OR ITS LICENSORS DO NOT WARRANT THE ACCURACY OR COMPLETENESS OF THIS SCHEMATIC OR ANY INFORMATION CONTAINED WITHIN THIS SCHEMATIC. IT IS PROVIDED "AS-IS" FOR REFERENCE ONLY. SILICON LABS DOES NOT WARRANT THAT THIS DESIGN WILL MEET THE SPECIFICATIONS, BE SUITABLE FOR YOUR APPLICATION OR FIT FOR ANY PARTICULAR PURPOSE, OR WILL OPERATE IN YOUR IMPLEMENTATION. SILICON LABS AND ITS LICENSORS DO NOT WARRANT THAT THE DESIGN IMPLIED IN THIS SCHEMATIC IS PRODUCTION-WORTHY. YOU SHOULD COMPLETELY VALIDATE AND TEST YOUR DESIGN IMPLEMENTATION TO CONFIRM SYSTEM FUNCTIONALITY FOR YOUR APPLICATION.



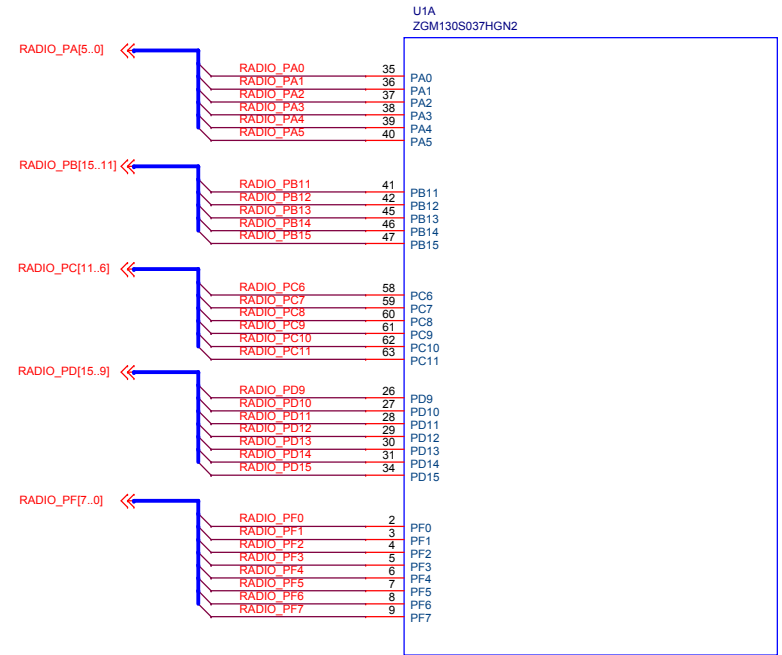
Revision History	
Rev.	Description
A00	Initial production release.

 SILICON LABS		Schematic Title	
		ZGM130S Long Range Radio Board	
Designed: TAB		Approved: JSH	
Page Title		Title Page	
Size A3	BOM Doc No: <Cage Code>	Document number BRD4207A	Revision A00
Design Created Date: Friday, November 03, 2017		Sheet Created Date Friday, November 03, 2017	Sheet Modified Date Thursday, July 16, 2020
		Sheet 1 of 4	

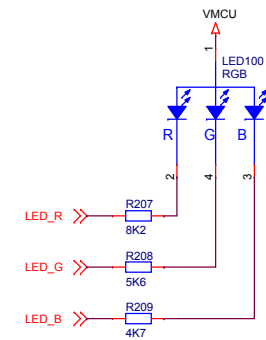
Pin Mapping



I/O Port Pins

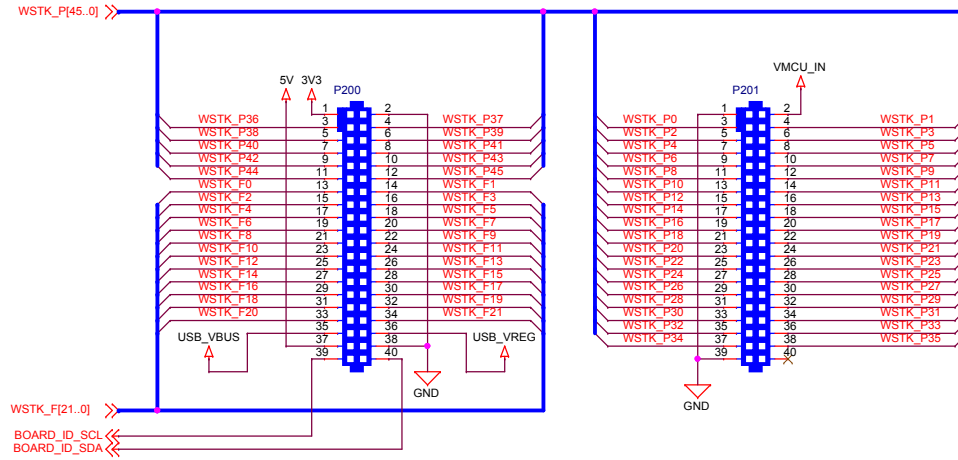


RGB LED

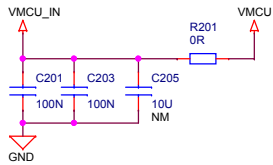


		Schematic Title	
		ZGM130S Long Range Radio Board	
Designed: TAB		Approved: JSH	
Page Title		I/O Port Connections	
Size: A3	BOM Doc No: <Cage Code>	Document number: BRD4207A	Revision: A00
Design Created Date: Friday, November 03, 2017	Sheet Created Date: Friday, November 03, 2017	Sheet Modified Date: Thursday, July 16, 2020	Sheet 3 of 4

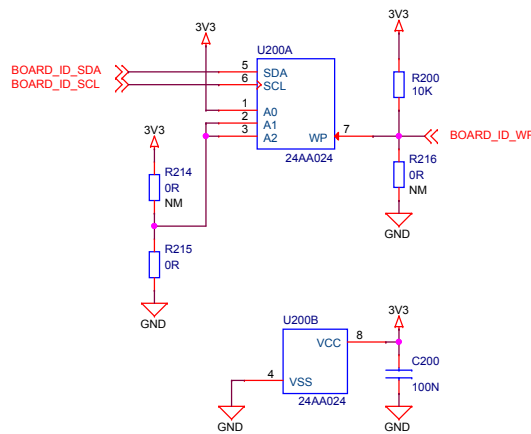
WSTK Connectors



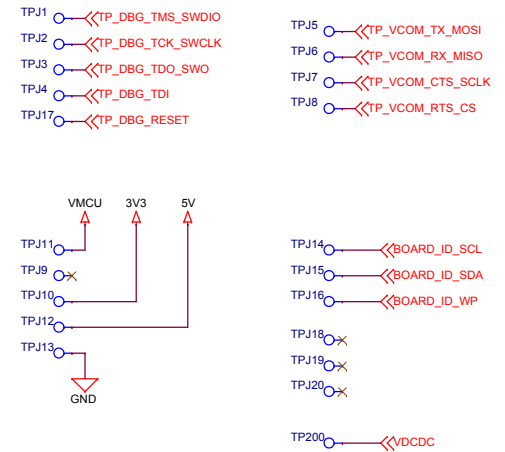
WSTK Power Decoupling



Board Identification



Test Points



		Schematic Title	
		ZGM130S Long Range Radio Board	
Designed: TAB Size: A3 Design Created Date: Friday, November 03, 2017		Page Title	
		WSTK Connectors & Board ID	
Approved: JSH		Document number	Revision
BOM Doc No: <Cage Code>		BRD4207A	A00
Sheet Created Date: Friday, November 03, 2017		Sheet Modified Date: Thursday, July 16, 2020	Sheet 4 of 4