



**EFR32 Flex Gecko Radio Board**

915 MHz, 20 dBm, VMCU to PAVDD

Board Function	Page
Title Page	1
RF, Antenna & Power	2
EFR32 Signal Assignments	3
WSTK Connectors & Board ID	4

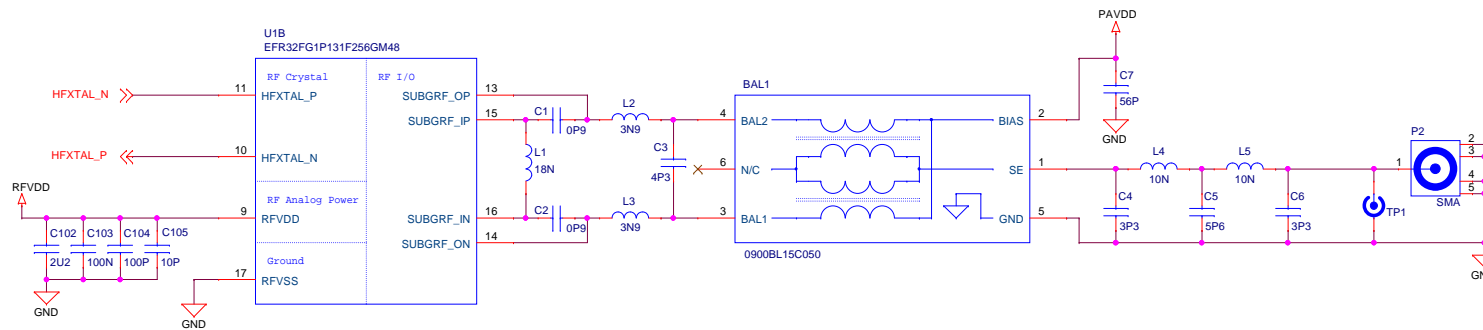
Revision History	
Rev.	Description
A00	Initial release.

<Schematic Path>  
SCHEMATIC1



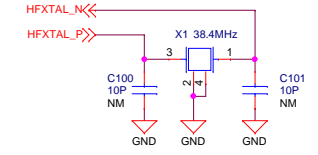
<p><b>SILICON LABS</b></p>		Schematic Title	
		<b>EFR32FG 915 MHz Radio Board</b>	
Designed: JSH Approved: JNO		Page Title	
		<b>Title Page</b>	
Size A3	BOM Doc No: <Cage Code>	Document number	Revision
		<b>BRD4250A</b>	<b>A00</b>
Design Created Date: Monday, April 02, 2012	Sheet Created Date: Monday, April 02, 2012	Sheet Modified Date: Thursday, July 16, 2015	Sheet 1 of 4

### Antenna & Radio Interface

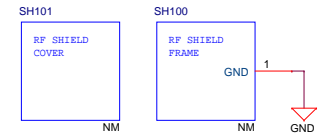


868 MHz: 14 dBm matching network  
 915 MHz: 20 dBm matching network

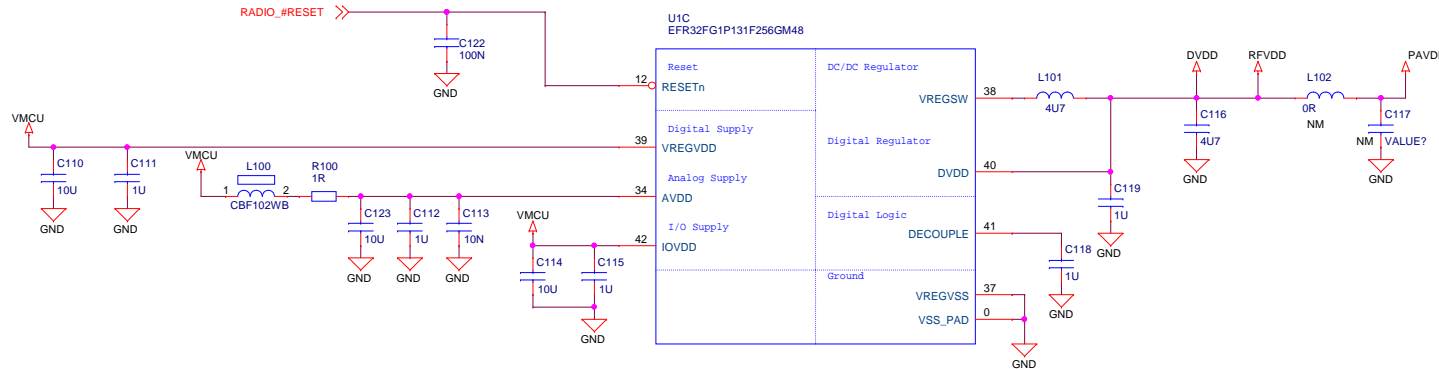
### High Frequency Crystal



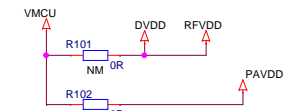
### RF Shielding



### Power & Decoupling



### DC/DC Configuration

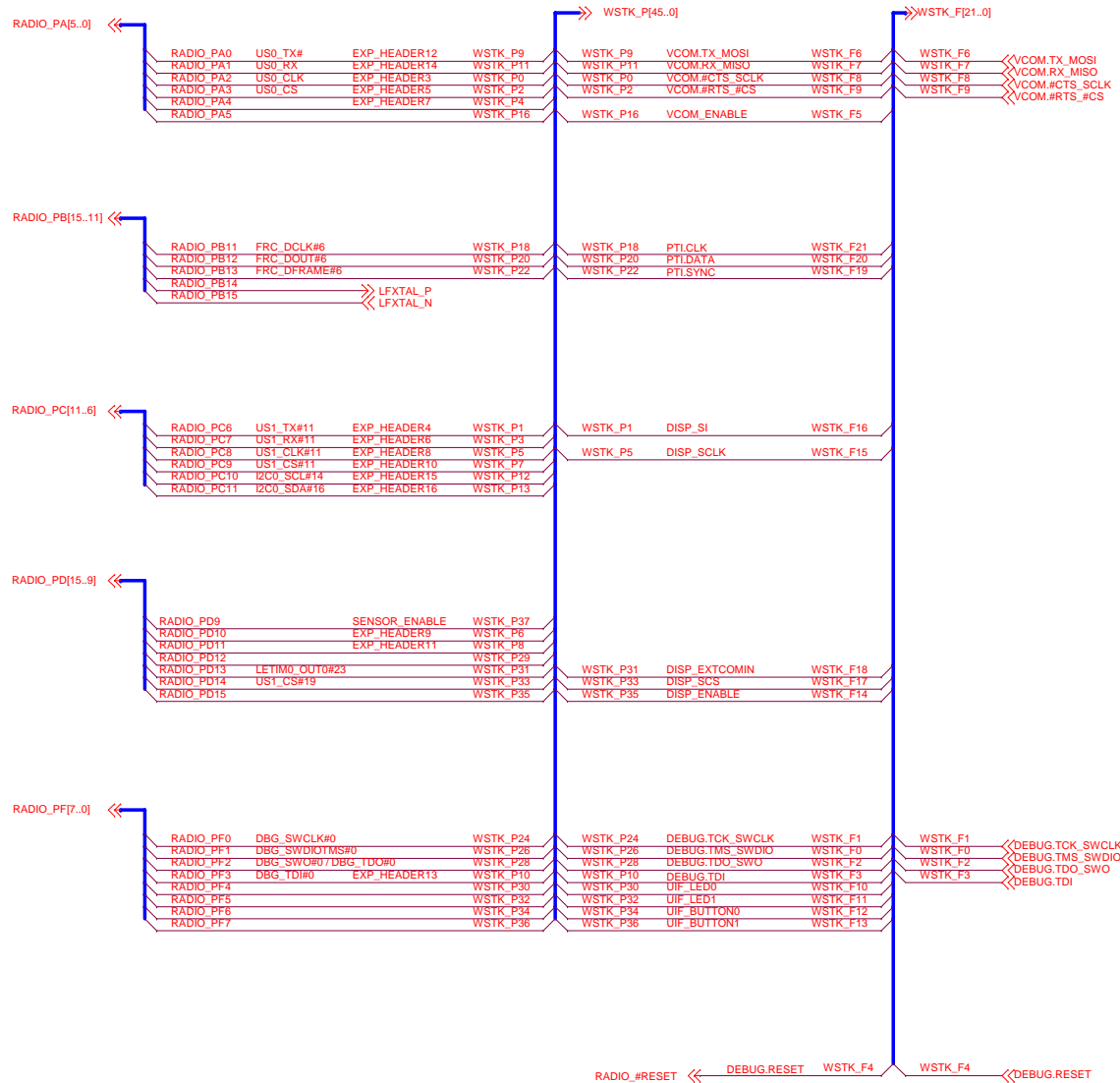


	Power Config 1 NO DCDC	Power Config 2a DCDC to PAVDD	Power Config 2b VMCU to PAVDD
L101	Not mount	Mount	Mount
L102	Not mount	Mount	Not mount
R101	Mount	Not mount	Not mount
R102	Mount	Not mount	Mount

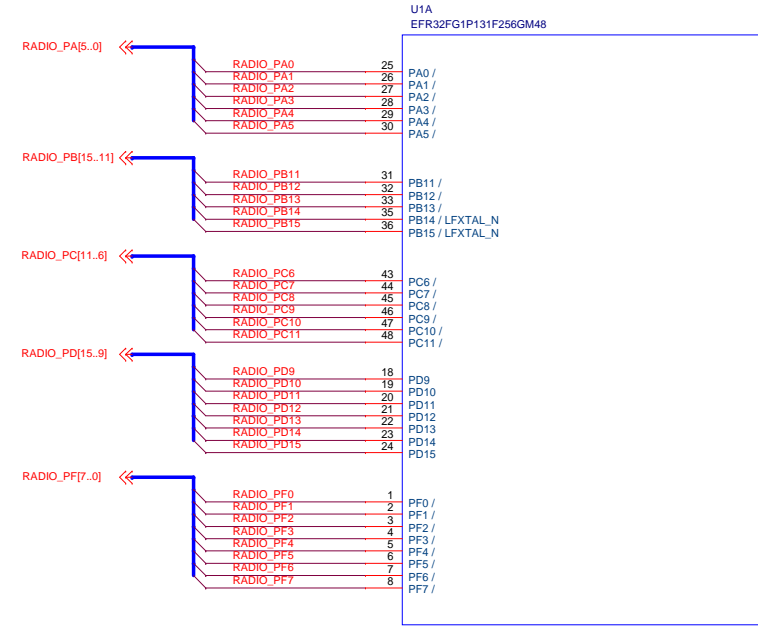
<Schematic Path>  
 SCHEMATIC1

		Schematic Title	
		<b>EFR32FG 915 MHz Radio Board</b>	
Page Title		<b>RF, Antenna &amp; Power</b>	
Document number		<b>BRD4250A</b>	
Design: JSH	Approved: JNO	Revision	A00
Size A3	BOM Doc No: <Cage Code>	Document number	Sheet
Design Created Date: Monday, April 02, 2012	Sheet Created Date: Monday, April 02, 2012	Sheet Modified Date: Thursday, July 16, 2015	Sheet 2 of 4

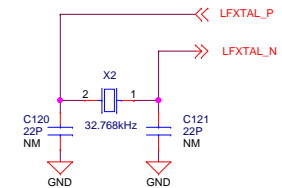
# EFR32 Pin Mapping



# EFR32 I/O Port Pins



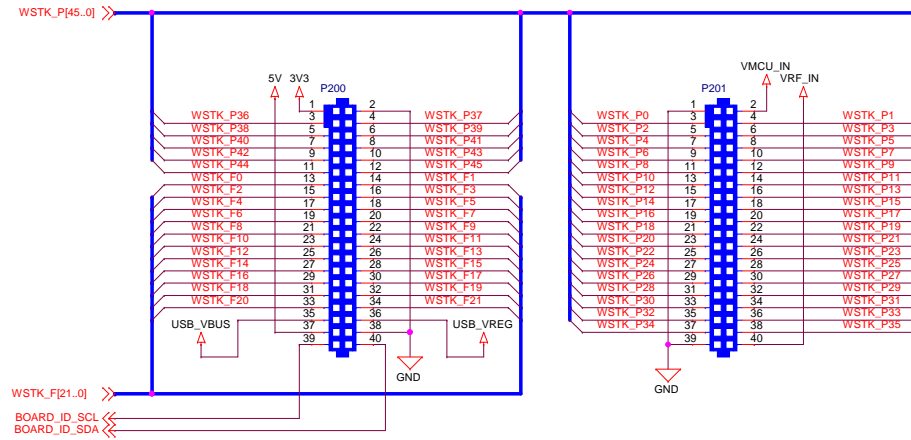
# Low Frequency Crystal



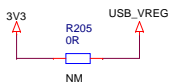
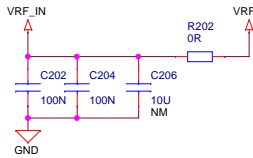
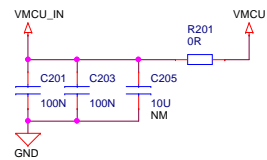
<Schematic Path>  
SCHEMATIC1

		Schematic Title	
		<b>EFR32FG 915 MHz Radio Board</b>	
Designed: JSH Size: A3 BOM Doc No: <Cage Code> Design Created Date: Monday, April 02, 2012		Page Title	
		<b>EFR32 I/O Port Connections</b>	
Approved: JNO Sheet Created Date: Wednesday, April 11, 2012		Document number	
		<b>BRD4250A</b>	
Sheet Modified Date: Thursday, July 16, 2015		Revision	
Sheet 3 of 4		A00	

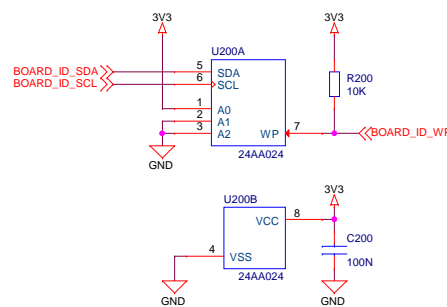
# WSTK Connectors



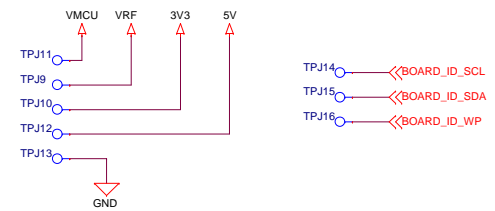
## WSTK Power Decoupling



## Board Identification



## Test Points



<Schematic Path>  
SCHEMATIC1

		Schematic Title	
		<b>EFR32FG 915 MHz Radio Board</b>	
Designed: JSH Approved: JNO		Page Title	
		<b>WSTK Connectors &amp; Board ID</b>	
Size A3	BOM Doc No: <Cage Code>	Document number <b>BRD4250A</b>	Revision A00
Design Created Date Monday, April 02, 2012		Sheet Created Date Tuesday, April 03, 2012	Sheet Modified Date Thursday, July 16, 2015
		Sheet 4 of 4	