



**EFR32 Flex Gecko Dual Band Radio Board**  
 2.4 GHz / 915 MHz 19.5 dBm, VMCU to PAVDD

| Board Function             | Page |
|----------------------------|------|
| Title Page                 | 1    |
| RF, Antenna & Power        | 2    |
| EFR32 Signal Assignments   | 3    |
| WSTK Connectors & Board ID | 4    |

| Revision History |                  |
|------------------|------------------|
| Rev.             | Description      |
| B00              | Initial release. |
|                  |                  |
|                  |                  |
|                  |                  |
|                  |                  |
|                  |                  |
|                  |                  |
|                  |                  |
|                  |                  |

<Schematic Path>  
 SCHEMATIC1



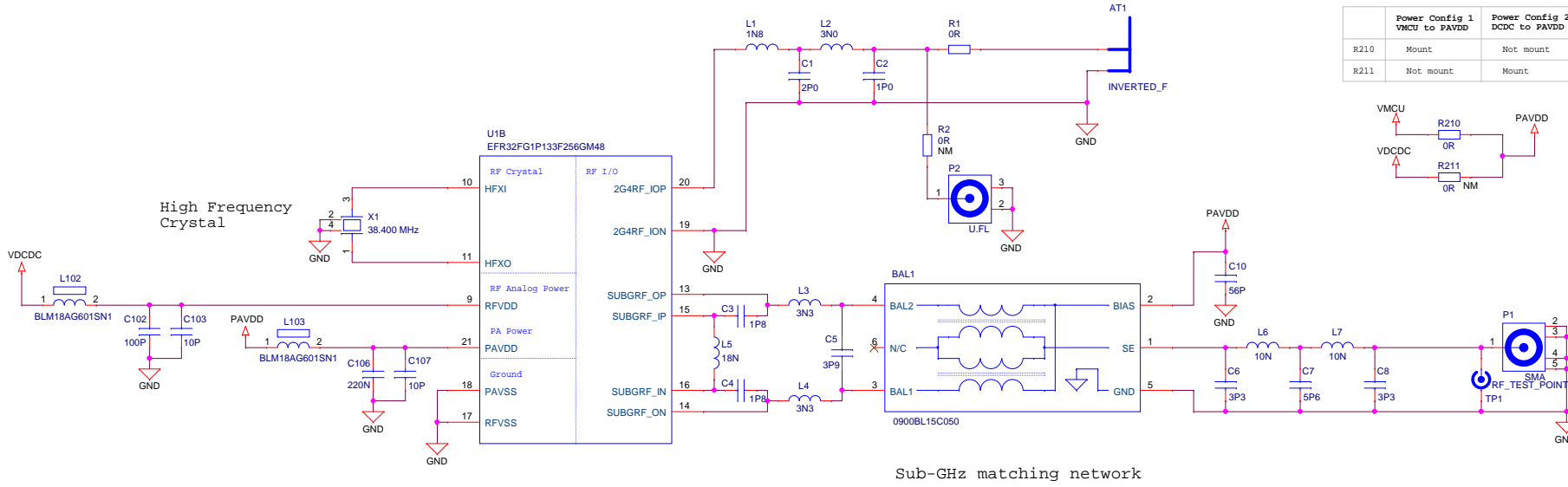
|   |  |   |               |
|---|--|---|---------------|
| <p><b>SILICON LABS</b></p>                  |  | Schematic Title                                   |               |
|   |  | <b>EFR32FG Dual Band 2400/915 MHz Radio Board</b> |               |
| Designed: JSH<br>Approved: JNO              |  | Page Title  |               |
|   |  | <b>Title Page</b>                                 |               |
| Size: A3                                    | BOM Doc No: <Cage Code>                    | Document number                                   | Revision      |
|   |  | <b>BRD4250A</b>                                   | <b>B00</b>    |
| Design Created Date: Monday, April 02, 2012 | Sheet Created Date: Monday, April 02, 2012 | Sheet Modified Date: Tuesday, February 09, 2016   | Sheet: 1 of 4 |

### Antenna & Radio Interface

### 2.4 GHz matching network

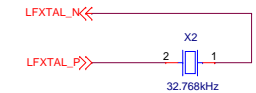
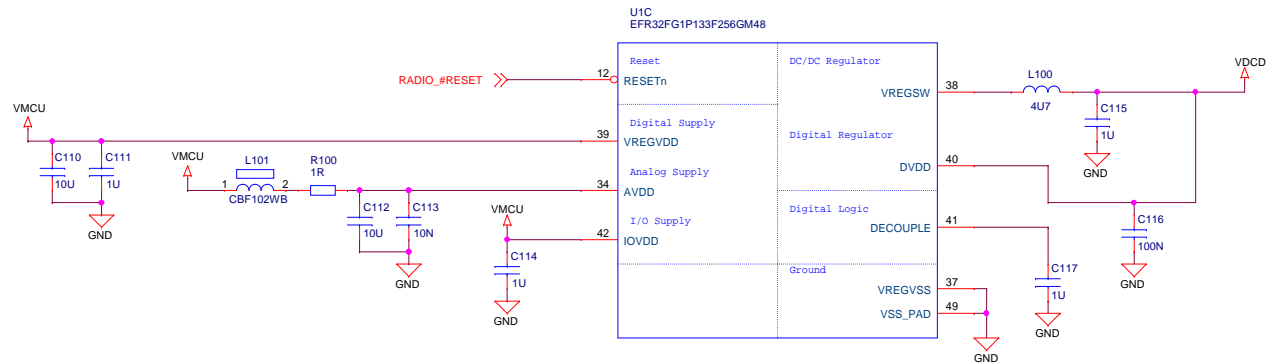
### PAVDD Configuration

|      | Power Config 1<br>VMCU to PAVDD | Power Config 2<br>DCDC to PAVDD |
|------|---------------------------------|---------------------------------|
| R210 | Mount                           | Not mount                       |
| R211 | Not mount                       | Mount                           |

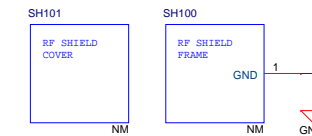


### Power & Decoupling

### Low Frequency Crystal



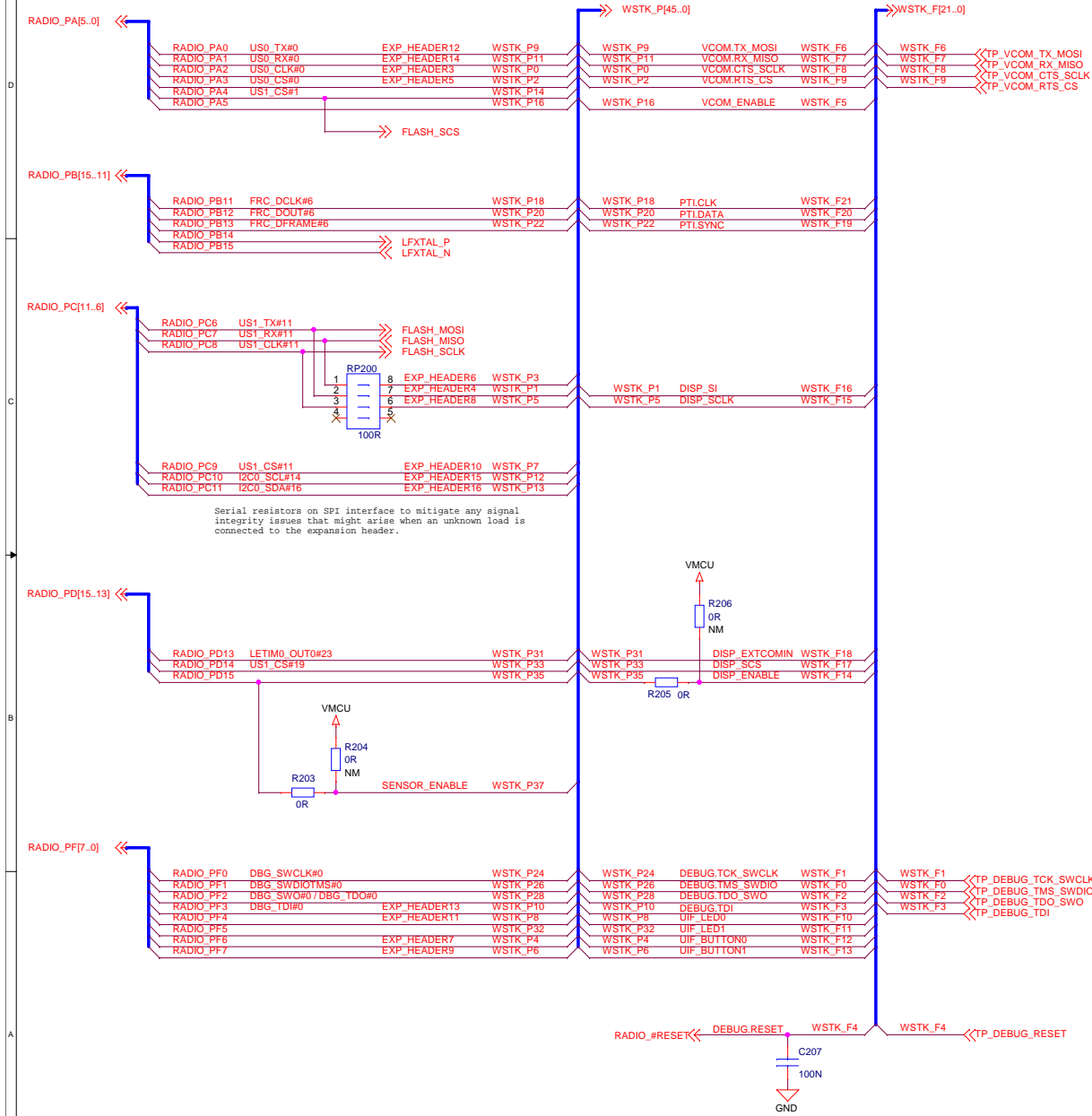
### RF Shielding



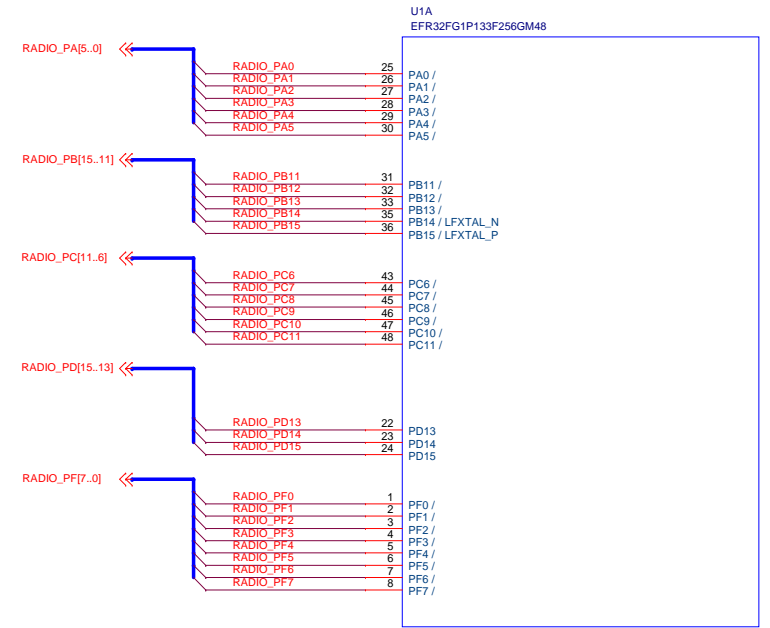
<Schematic Path>  
SCHEMATIC1

|  |  |  |  |
|--|--|--|--|
|  |  | Schematic Title                                    |  |
|  |  | <b>EFR32FG Dual Band 2400/915 MHz Radio Boa</b>    |  |
| Design: JSH<br>Approved: JNO                   |  | Page Title   |  |
|  |  | <b>RF, Antenna &amp; Power</b>                     |  |
| Size: A3<br>BOM Doc No: <Cage Code>            |  | Document number<br><b>BRD4250A</b>                 |  |
| Design Created Date:<br>Monday, April 02, 2012 |  | Sheet Modified Date:<br>Tuesday, February 09, 2016 |  |
|  |  | Revision<br><b>B00</b>                             |  |
|  |  | Sheet<br>2 of 4                                    |  |

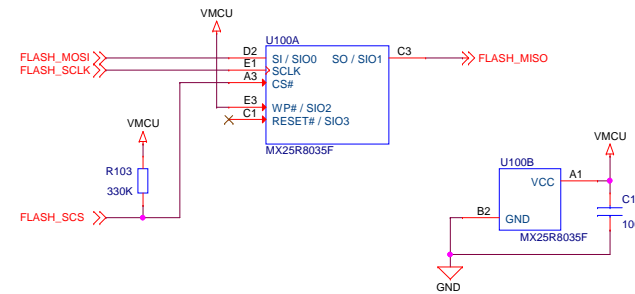
# EFR32 Pin Mapping



# EFR32 I/O Port Pins



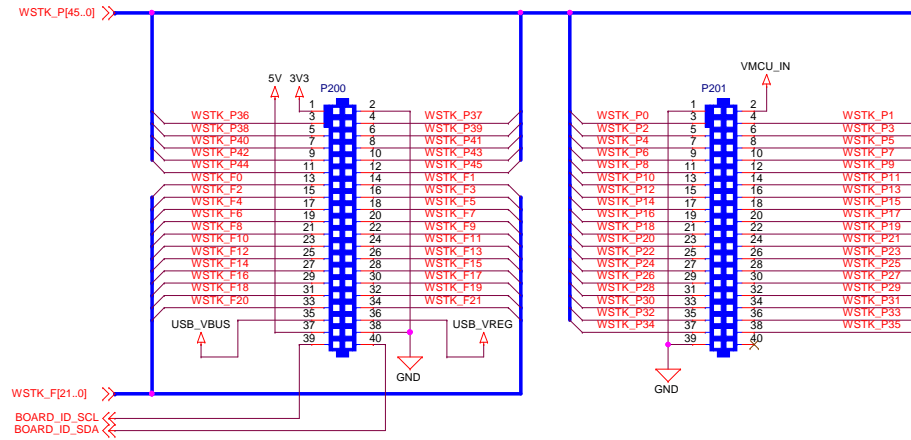
# Serial Flash



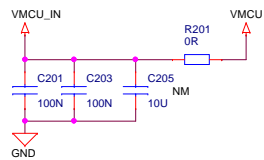
<Schematic Path>  
SCHEMATIC1

|  |  |   |  |
|--|--|---|--|
|  |  | Schematic Title                                 |  |
|  |  | <b>EFR32FG Dual Band 2400/915 MHz Radio Boa</b> |  |
| Designed: JSH<br>Size: A3<br>BOM Doc No: <Cage Code> |  | Page Title                                      |  |
|  |  | <b>EFR32 I/O Port Connections</b>               |  |
| Approved: JNO  |  | Document number                                 |  |
| Design Created Date: Monday, April 02, 2012          |  | <b>BRD4250A</b>                                 |  |
| Sheet Created Date: Monday, April 02, 2012           |  | Sheet Modified Date: Wednesday, April 11, 2012  |  |
| Sheet 3 of 4   |  | Revision B00                                    |  |

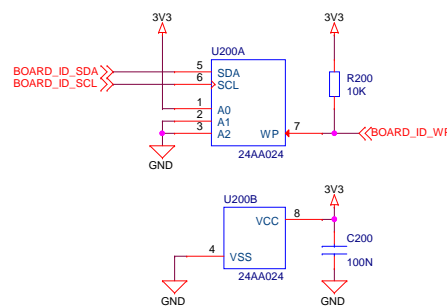
# WSTK Connectors



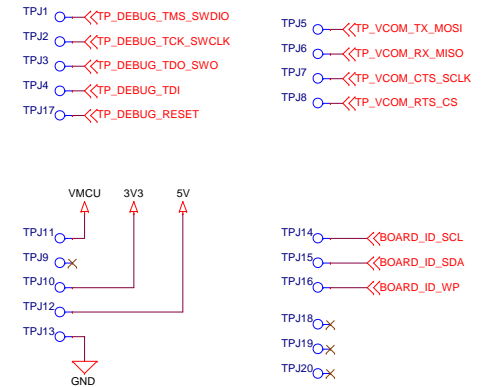
## WSTK Power Decoupling



## Board Identification



## Test Points



<Schematic Path>  
SCHEMATIC1

|   |                         |   |   |
|---|-------------------------|---|---|
|   |                         | Schematic Title                                 |   |
|   |                         | <b>EFR32FG Dual Band 2400/915 MHz Radio Boa</b> |   |
| Designed: JSH<br>Approved: JNO              |                         | Page Title                                      |   |
|   |                         | <b>WSTK Connectors &amp; Board ID</b>           |   |
| Size: A3                                    | BOM Doc No: <Cage Code> | Document number                                 | Revision  |
|   |                         | <b>BRD4250A</b>                                 | <b>B00</b>                                      |
| Design Created Date: Monday, April 02, 2012 |                         | Sheet Created Date: Tuesday, April 03, 2012     | Sheet Modified Date: Tuesday, February 09, 2016 |
|   |                         | Sheet 4 of 4                                    |   |