



## EFR32 Flex Gecko Dual Band Radio Board

2.4 GHz / 915 MHz 19.5 dBm, VMCU to PAVDD

Board Function	Page
Title Page	1
RF, Antenna & Power	2
EFR32 Signal Assignments	3
WSTK Connectors & Board ID	4

LEGAL NOTICE:  
 SILICON LABORATORIES INC. ("SILICON LABS") AND/OR ITS LICENSORS DO NOT WARRANT THE ACCURACY OR COMPLETENESS OF THIS SCHEMATIC OR ANY INFORMATION CONTAINED WITHIN THIS SCHEMATIC. IT IS PROVIDED "AS-IS" FOR REFERENCE ONLY. SILICON LABS DOES NOT WARRANT THAT THIS DESIGN WILL MEET THE SPECIFICATIONS, BE SUITABLE FOR YOUR APPLICATION OR FIT FOR ANY PARTICULAR PURPOSE, OR WILL OPERATE IN YOUR IMPLEMENTATION. SILICON LABS AND ITS LICENSORS DO NOT WARRANT THAT THE DESIGN IMPLIED IN THIS SCHEMATIC IS PRODUCTION-WORTHY. YOU SHOULD COMPLETELY VALIDATE AND TEST YOUR DESIGN IMPLEMENTATION TO CONFIRM SYSTEM FUNCTIONALITY FOR YOUR APPLICATION.



Revision History	
Rev.	Description
B00	Initial release.
B01	SubGHz PA supplied from filtered PAVDD.

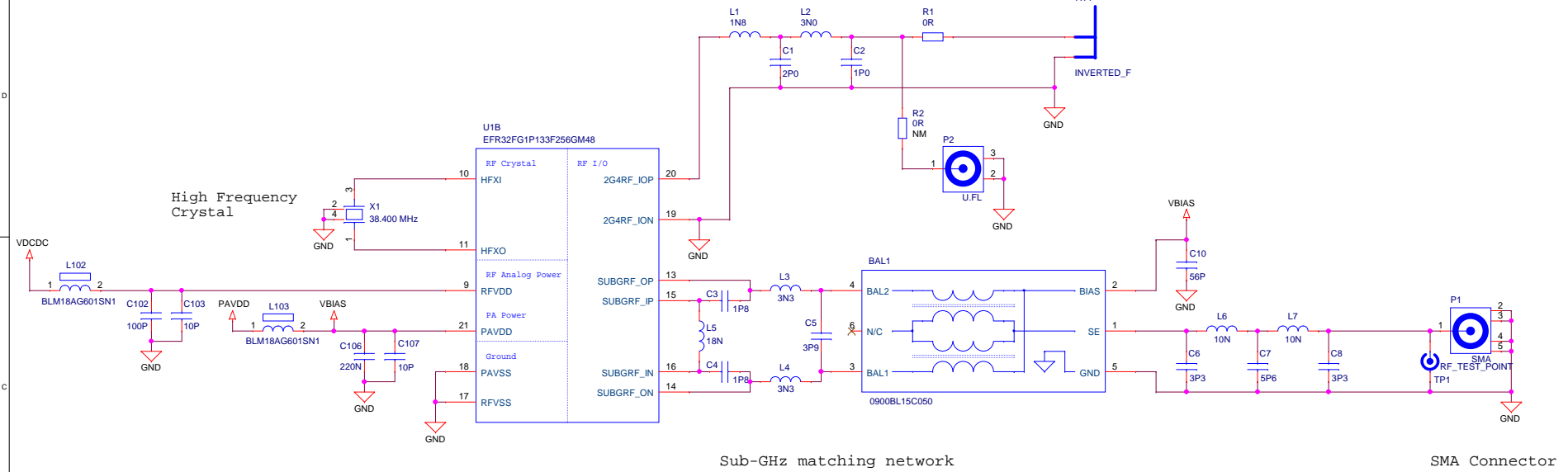
<Schematic Path>  
 SCHEMATIC1

		Schematic Title	
		EFR32FG Dual Band 2400/915 MHz Radio Board	
Designed: JSH		Approved: JNO	
Page Title		Title Page	
Size: A3		Document number	
BOM Doc No: <Cage Code>		BRD4250A	
Revision		B01	
Design Created Date: Monday, April 02, 2012		Sheet Created Date: Monday, April 02, 2012	
Sheet Modified Date: Tuesday, April 19, 2016		Sheet	
1 of 4		1	

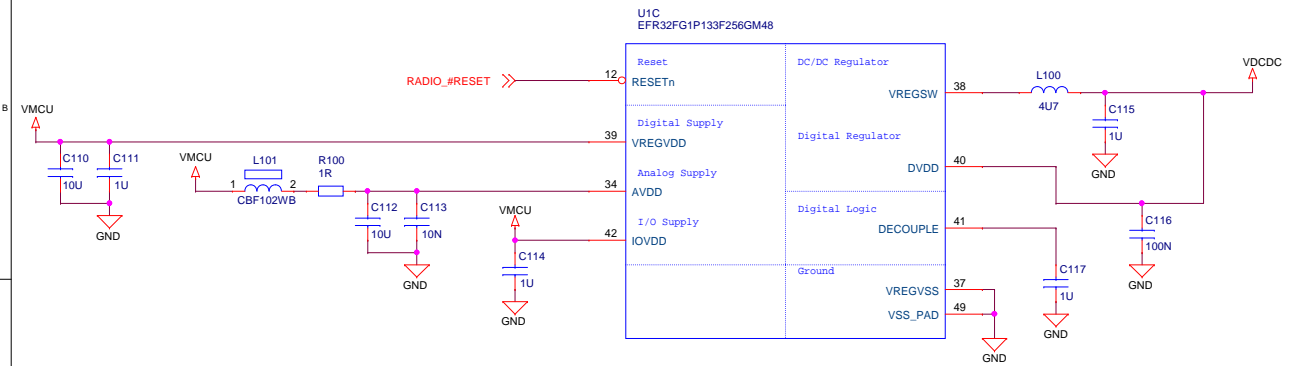
Antenna & Radio Interface

2.4 GHz matching network

PCB Antenna

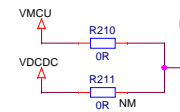


Power & Decoupling

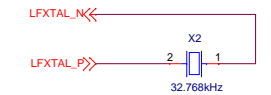


PAVDD Configuration

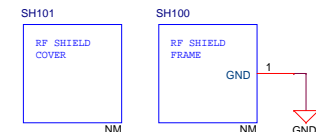
	Power Config 1 VMCU to PAVDD	Power Config 2 DCDC to PAVDD
R210	Mount	Not mount
R211	Not mount	Mount



Low Frequency Crystal



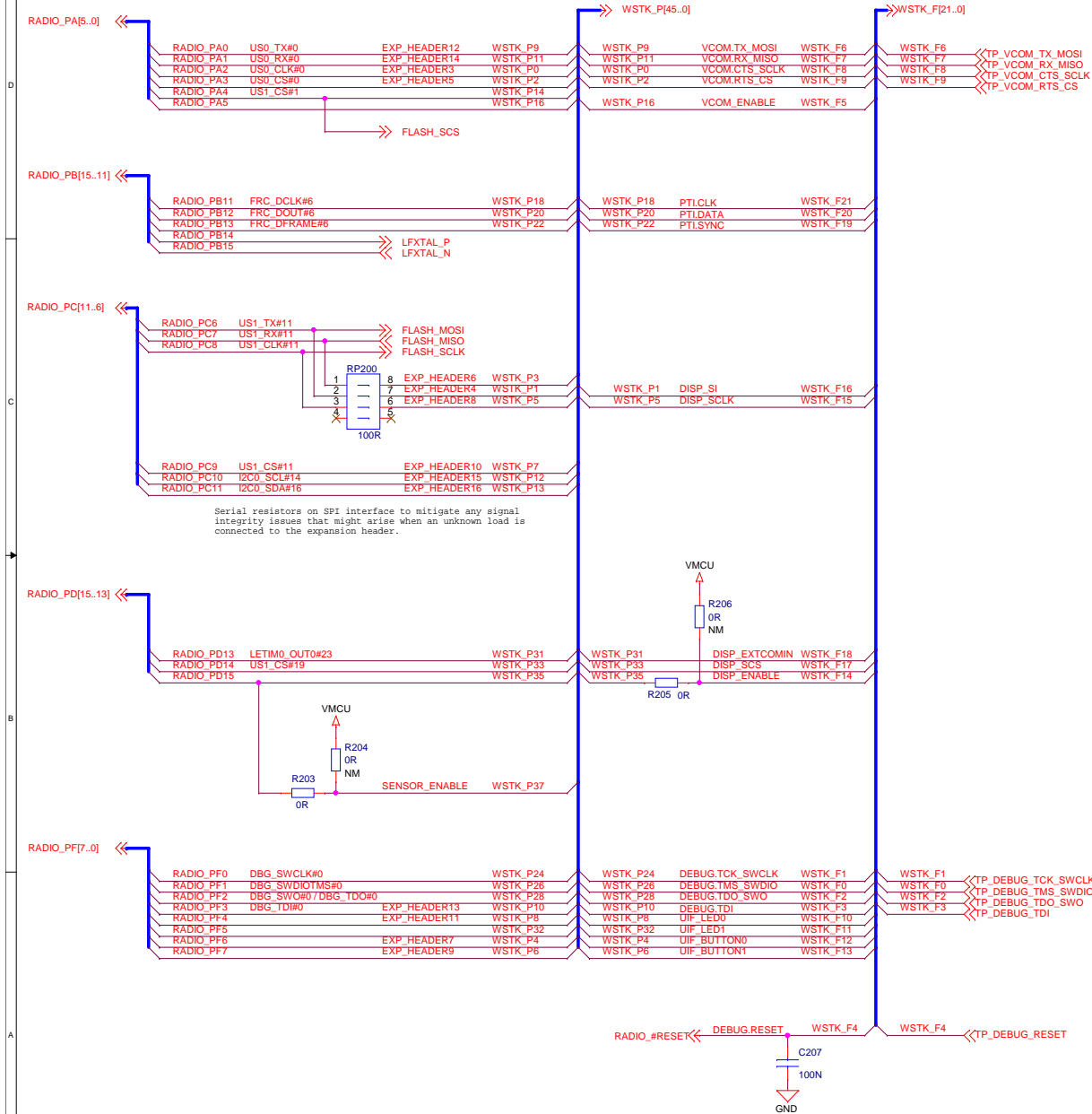
RF Shielding



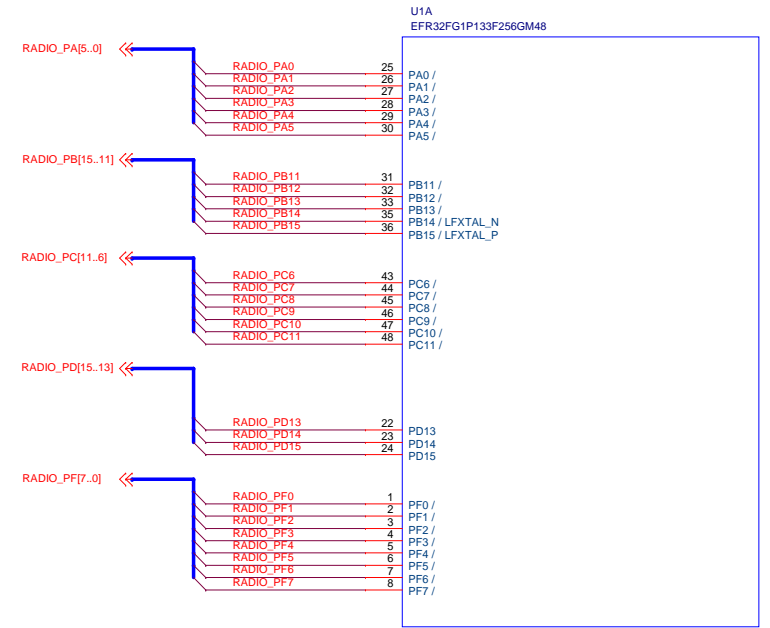
<Schematic Path>  
SCHEMATIC1

		Schematic Title	
		<b>EFR32FG Dual Band 2400/915 MHz Radio Boa</b>	
Page Title		<b>RF, Antenna &amp; Power</b>	
Document number		<b>BRD4250A</b>	
Design:	Approved:	Document number	Revision
JSH	JNO	BRD4250A	B01
Size A3	BOM Doc No: <Cage Code>	Sheet Created Date Monday, April 02, 2012	Sheet Modified Date Tuesday, April 19, 2016
Sheet Created Date Monday, April 02, 2012		Sheet Modified Date Tuesday, April 19, 2016	
Sheet 2 of 4		Sheet 2 of 4	

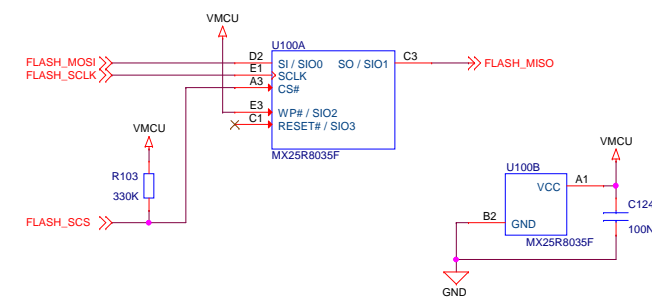
# EFR32 Pin Mapping



# EFR32 I/O Port Pins



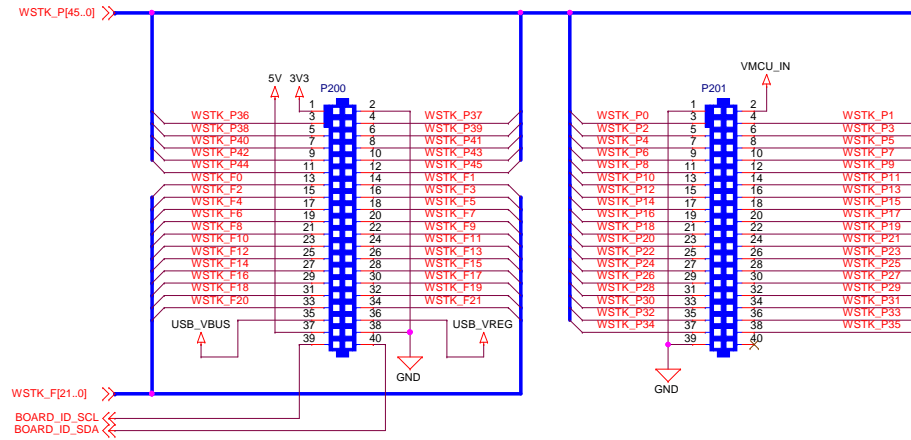
# Serial Flash



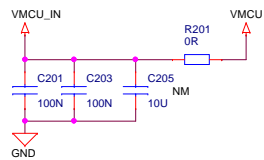
<Schematic Path>  
SCHEMATIC1

		Schematic Title	
		<b>EFR32FG Dual Band 2400/915 MHz Radio Boa</b>	
Designed: JSH Size: A3 BOM Doc No: <Cage Code> Design Created Date: Monday, April 02, 2012		Page Title	
		<b>EFR32 I/O Port Connections</b>	
Approved: JNO		Document number	
		<b>BRD4250A</b>	
Sheet Created Date: Wednesday, April 11, 2012		Revision <b>B01</b>	
Sheet Modified Date: Tuesday, April 19, 2016		Sheet 3 of 4	

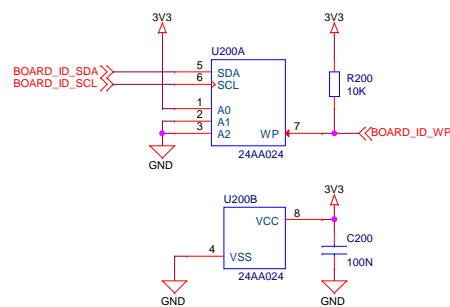
# WSTK Connectors



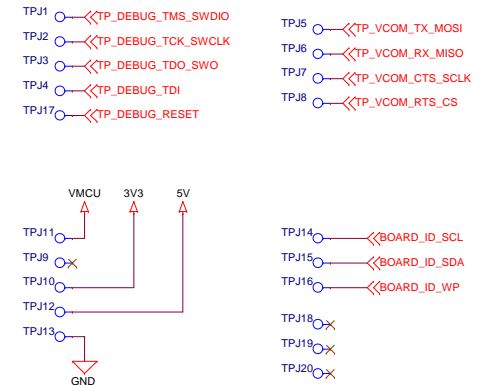
## WSTK Power Decoupling




## Board Identification



## Test Points



<Schematic Path>  
SCHEMATIC1

		Schematic Title	
		<b>EFR32FG Dual Band 2400/915 MHz Radio Boa</b>	
Designed: JSH Approved: JNO		Page Title	
		<b>WSTK Connectors &amp; Board ID</b>	
Size: A3	BOM Doc No: <Cage Code>	Document number	Revision
Design Created Date: Monday, April 02, 2012		<b>BRD4250A</b>	<b>B01</b>
Sheet Created Date: Monday, April 02, 2012		Sheet Modified Date: Tuesday, April 19, 2016	Sheet 4 of 4