




EFR32 Flex Gecko Dual Band Radio Board
 2.4 GHz / 868 MHz 13 dBm, DCDC to PAVDD

Board Function	Page
Title Page	1
RF, Antenna & Power	2
EFR32 Signal Assignments	3
WSTK Connectors & Board ID	4

Revision History	
Rev.	Description
B00	Initial release.

<Schematic Path>
 SCHEMATIC1



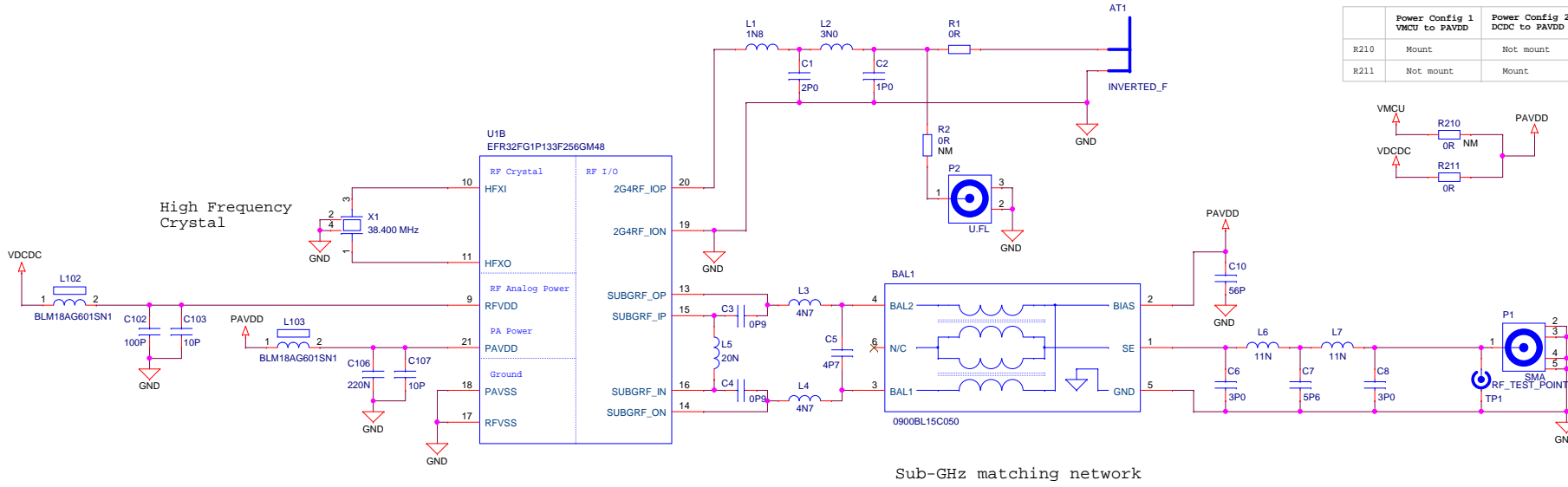
 SILICON LABS		Schematic Title	
		EFR32FG Dual Band 2400/868 MHz Radio Board	
Designed: JSH		Approved: JNO	
Page Title		Title Page	
Size A3		Document number BRD4250B	
Design Created Date: Monday, April 02, 2012		Sheet Created Date Monday, April 02, 2012	Sheet Modified Date Tuesday, February 09, 2016
BOM Doc No: <Cage Code>		Revision B00	Sheet 1 of 4

Antenna & Radio Interface

2.4 GHz matching network

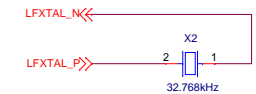
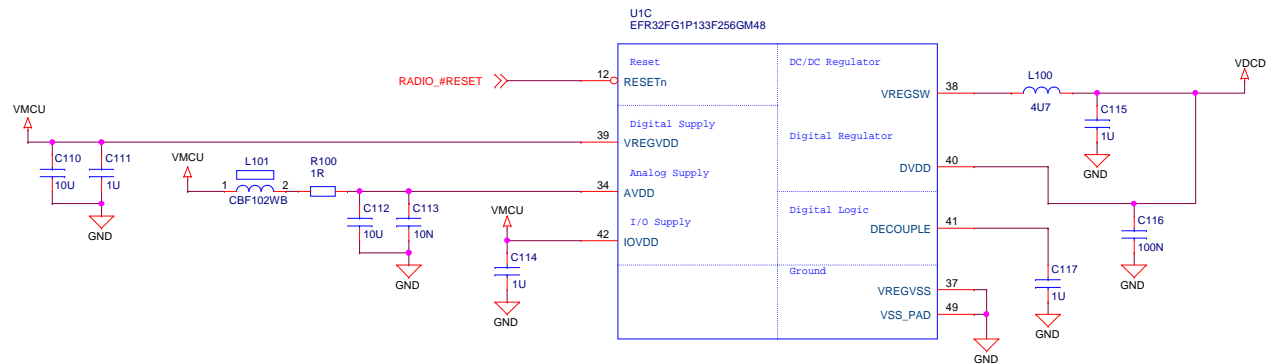
PAVDD Configuration

	Power Config 1 VMCU to PAVDD	Power Config 2 DCDC to PAVDD
R210	Mount	Not mount
R211	Not mount	Mount

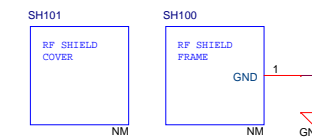


Power & Decoupling

Low Frequency Crystal



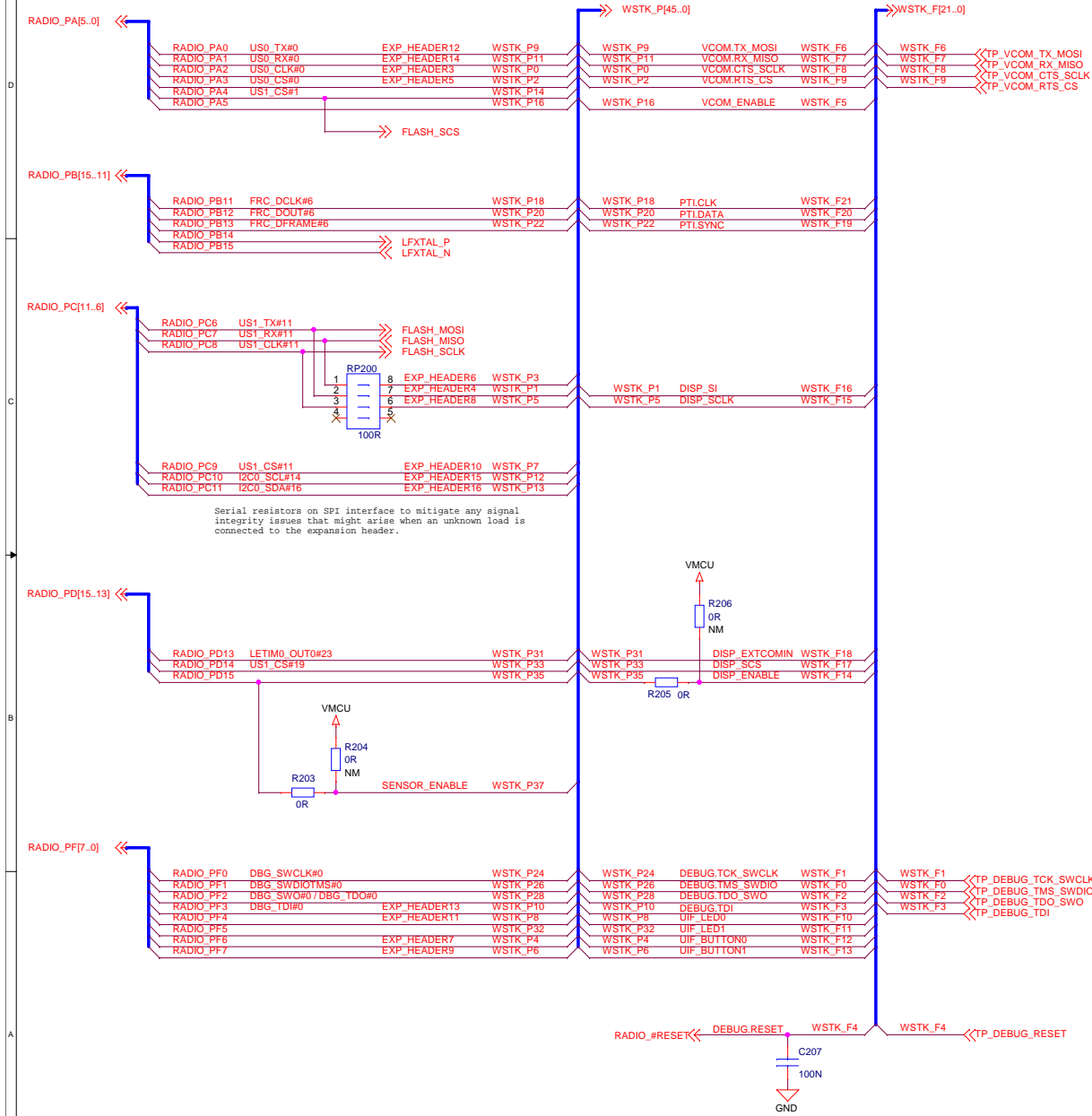
RF Shielding



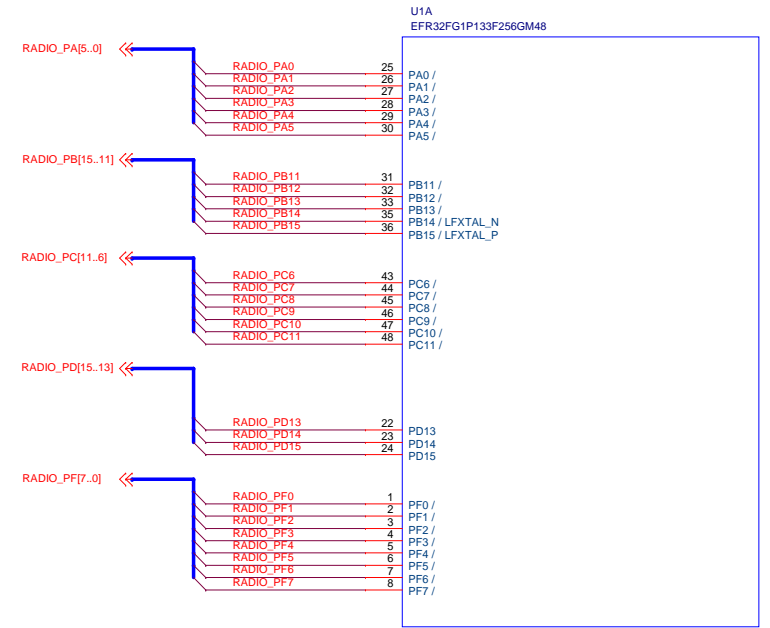
<Schematic Path>
SCHEMATIC1

		Schematic Title	
		EFR32FG Dual Band 2400/868 MHz Radio Boa	
Designed: JSH Approved: JNO		Page Title	
		RF, Antenna & Power	
Size: A3 BOM Doc No: <Cage Code>		Document number BRD4250B	
Design Created Date: Monday, April 02, 2012		Sheet Modified Date: Tuesday, February 09, 2016	
		Revision B00	
		Sheet 2 of 4	

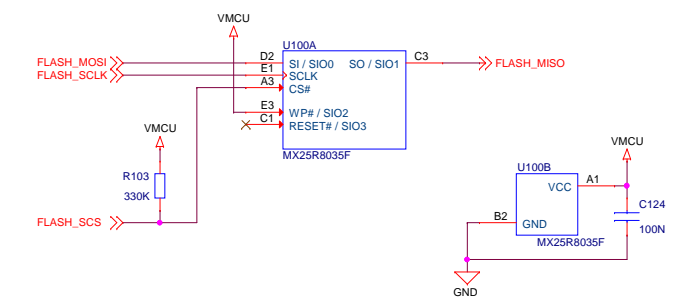
EFR32 Pin Mapping



EFR32 I/O Port Pins



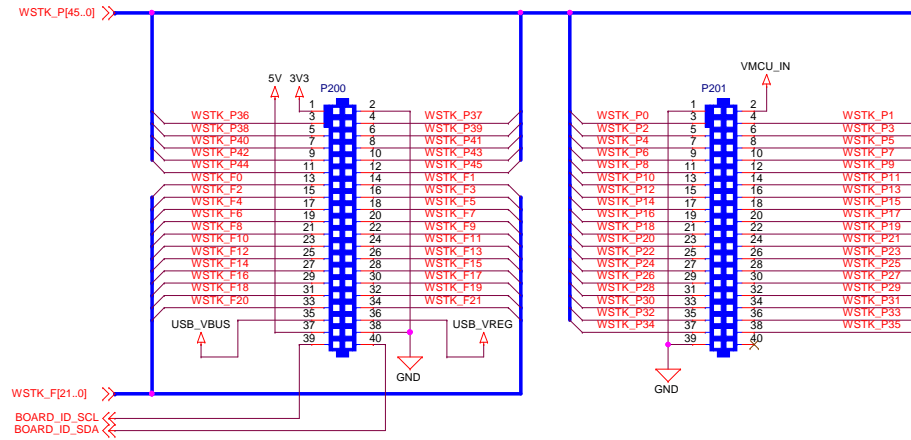
Serial Flash



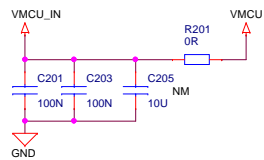
<Schematic Path>
SCHEMATIC1

		Schematic Title	
SILICON LABS		EFR32FG Dual Band 2400/868 MHz Radio Boa	
Designed: JSH		Page Title	
Approved: JNO		EFR32 I/O Port Connections	
Size A3		Document number	
<Cage Code>		BRD4250B	
Design Created Date: Monday, April 02, 2012		Sheet Created Date: Wednesday, April 11, 2012	
Sheet Modified Date: Tuesday, February 09, 2016		Revision	
3 of 4		B00	

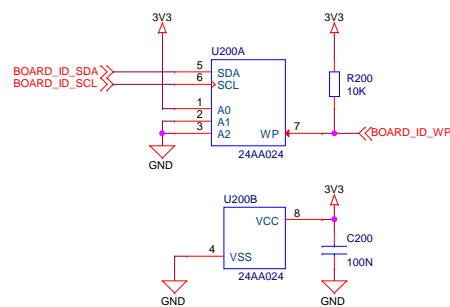
WSTK Connectors



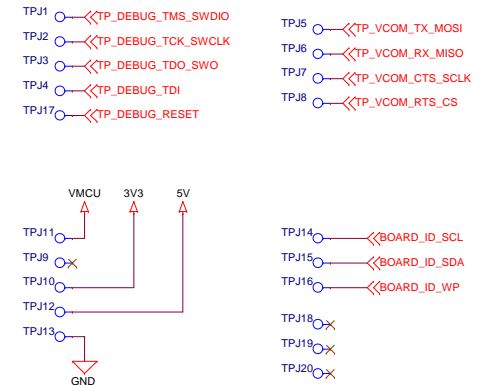
WSTK Power Decoupling



Board Identification



Test Points



<Schematic Path>
SCHEMATIC1

		Schematic Title	
		EFR32FG Dual Band 2400/868 MHz Radio Boa	
Designed: JSH Approved: JNO		Page Title	
		WSTK Connectors & Board ID	
Size: A3	BOM Doc No: <Cage Code>	Document number	Revision
		BRD4250B	B00
Design Created Date: Monday, April 02, 2012		Sheet Created Date: Tuesday, April 03, 2012	Sheet Modified Date: Tuesday, February 09, 2016
		Sheet 4 of 4	