



EFR32 Flex Gecko Dual Band Radio Board
 2.4 GHz / 868 MHz 13 dBm, DCDC to PAVDD


Board Function	Page
Title Page	1
RF, Antenna & Power	2
EFR32 Signal Assignments	3
WSTK Connectors & Board ID	4

Revision History	
Rev.	Description
B00	Initial release.
B01	SubGHz PA supplied from filtered PAVDD.

LEGAL NOTICE:
 SILICON LABORATORIES INC. ("SILICON LABS") AND/OR ITS LICENSORS DO NOT WARRANT THE ACCURACY OR COMPLETENESS OF THIS SCHEMATIC OR ANY INFORMATION CONTAINED WITHIN THIS SCHEMATIC. IT IS PROVIDED "AS-IS" FOR REFERENCE ONLY. SILICON LABS DOES NOT WARRANT THAT THIS DESIGN WILL MEET THE SPECIFICATIONS, BE SUITABLE FOR YOUR APPLICATION OR FIT FOR ANY PARTICULAR PURPOSE, OR WILL OPERATE IN YOUR IMPLEMENTATION. SILICON LABS AND ITS LICENSORS DO NOT WARRANT THAT THE DESIGN IMPLIED IN THIS SCHEMATIC IS PRODUCTION-WORTHY. YOU SHOULD COMPLETELY VALIDATE AND TEST YOUR DESIGN IMPLEMENTATION TO CONFIRM SYSTEM FUNCTIONALITY FOR YOUR APPLICATION.



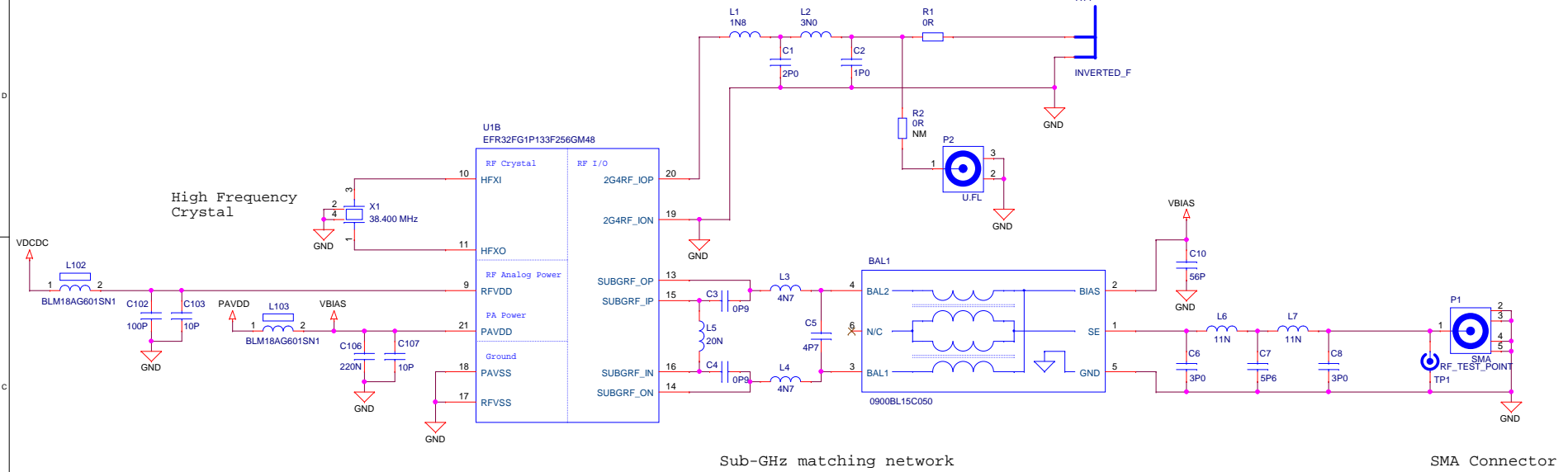
<Schematic Path>
 SCHEMATIC1

 SILICON LABS		Schematic Title	
		EFR32FG Dual Band 2400/868 MHz Radio Board	
Designed: JSH		Approved: JNO	
Page Title		Title Page	
Size A3		Document number BRD4250B	
Design Created Date: Monday, April 02, 2012		Revision B01	
Sheet Created Date Monday, April 02, 2012		Sheet Modified Date Tuesday, April 19, 2016	
Sheet 1 of 4		Sheet 1 of 4	

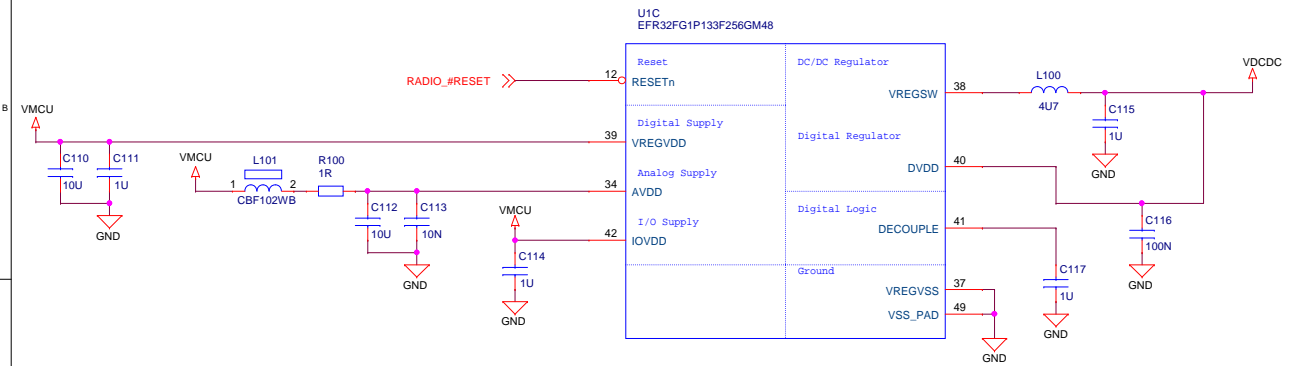
Antenna & Radio Interface

2.4 GHz matching network

PCB Antenna

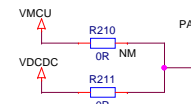


Power & Decoupling

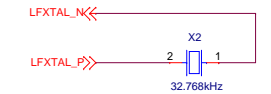


PAVDD Configuration

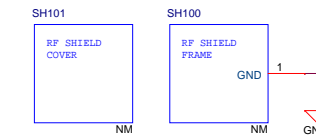
	Power Config 1 VMCU to PAVDD	Power Config 2 DCDC to PAVDD
R210	Mount	Not mount
R211	Not mount	Mount



Low Frequency Crystal



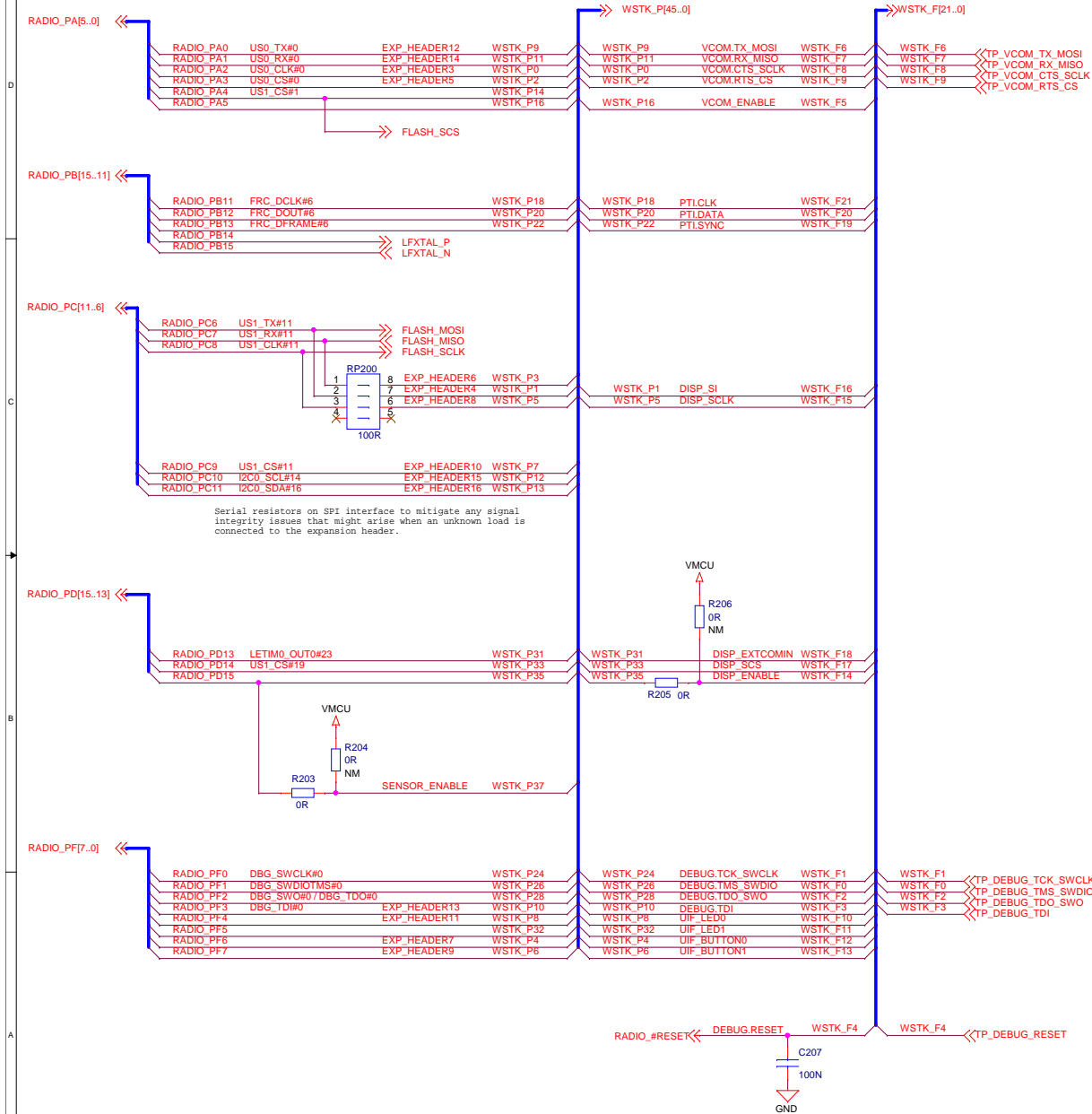
RF Shielding



<Schematic Path>
SCHEMATIC1

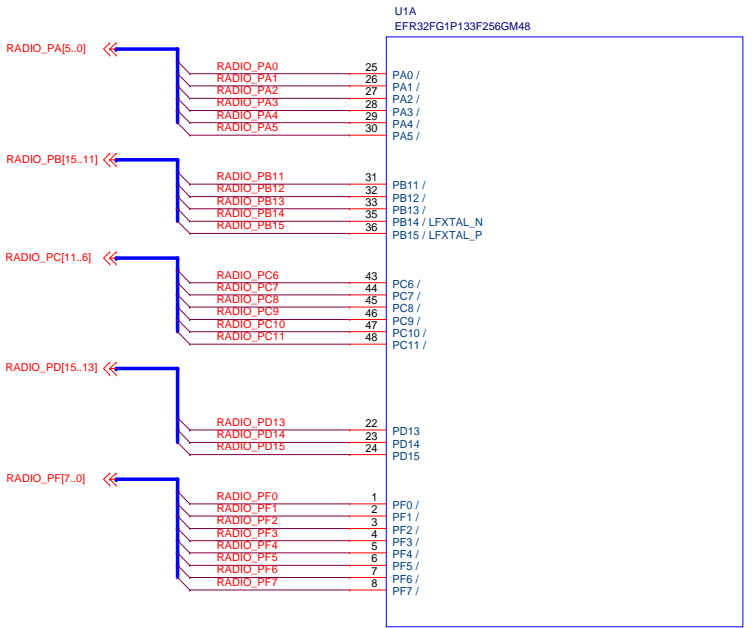
		Schematic Title	
		EFR32FG Dual Band 2400/868 MHz Radio Boa	
Designed: JSH		Page Title	
Approved: JNO		RF, Antenna & Power	
Size: A3	BOM Doc No: <Cage Code>	Document number	Revision
Design Created Date: Monday, April 02, 2012		BRD4250B	B01
	Sheet Created Date: Monday, April 02, 2012	Sheet Modified Date: Tuesday, April 19, 2016	Sheet 2 of 4

EFR32 Pin Mapping

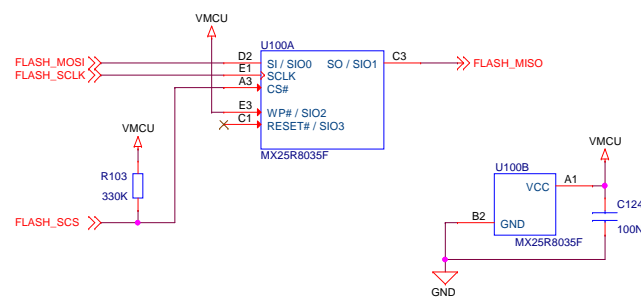


Serial resistors on SPI interface to mitigate any signal integrity issues that might arise when an unknown load is connected to the expansion header.

EFR32 I/O Port Pins



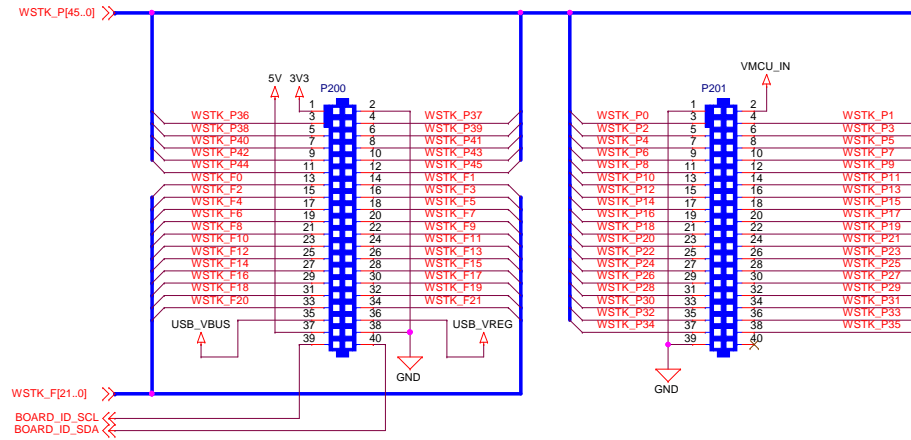
Serial Flash



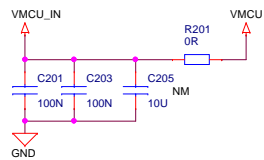
<Schematic Path>
SCHEMATIC1

		Schematic Title	
		EFR32FG Dual Band 2400/868 MHz Radio Boa	
Designed: JSH Size: A3 BOM Doc No: <Cage Code> Design Created Date: Monday, April 02, 2012		Page Title	
		EFR32 I/O Port Connections	
Approved: JNO Sheet Created Date: Wednesday, April 11, 2012		Document number	
		BRD4250B	
Sheet Modified Date: Tuesday, April 19, 2016		Revision	
Sheet 3 of 4		B01	

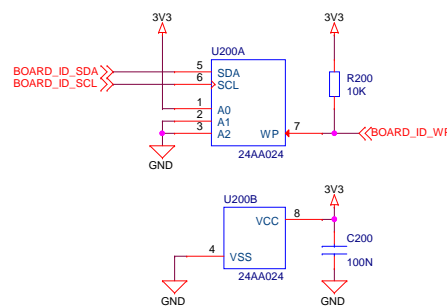
WSTK Connectors



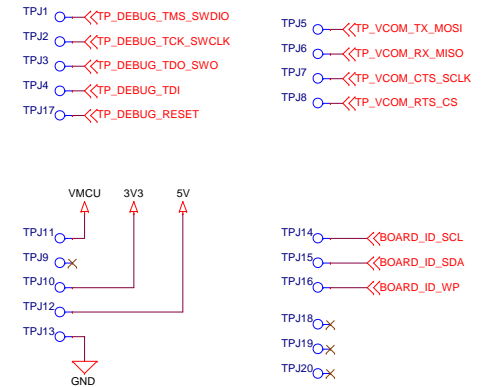
WSTK Power Decoupling



Board Identification



Test Points



<Schematic Path>
SCHEMATIC1

		Schematic Title	
		EFR32FG Dual Band 2400/868 MHz Radio Boa	
Designed: JSH Approved: JNO		Page Title	
		WSTK Connectors & Board ID	
Size: A3	BOM Doc No: <Cage Code>	Document number	Revision
		BRD4250B	B01
Design Created Date: Monday, April 02, 2012		Sheet Created Date: Tuesday, April 03, 2012	Sheet Modified Date: Tuesday, April 19, 2016
		Sheet	4 of 4