

TABLE OF CONTENTS:

Page 1 Table of Contents and Revision History

Page 2 RF Frontend

Page 3 PMU

Page 4 Pin Assignment

Page 5 Radio Connectors and Board ID

REVISION HISTORY:

A01 Initial Release

A

A

B


B

C

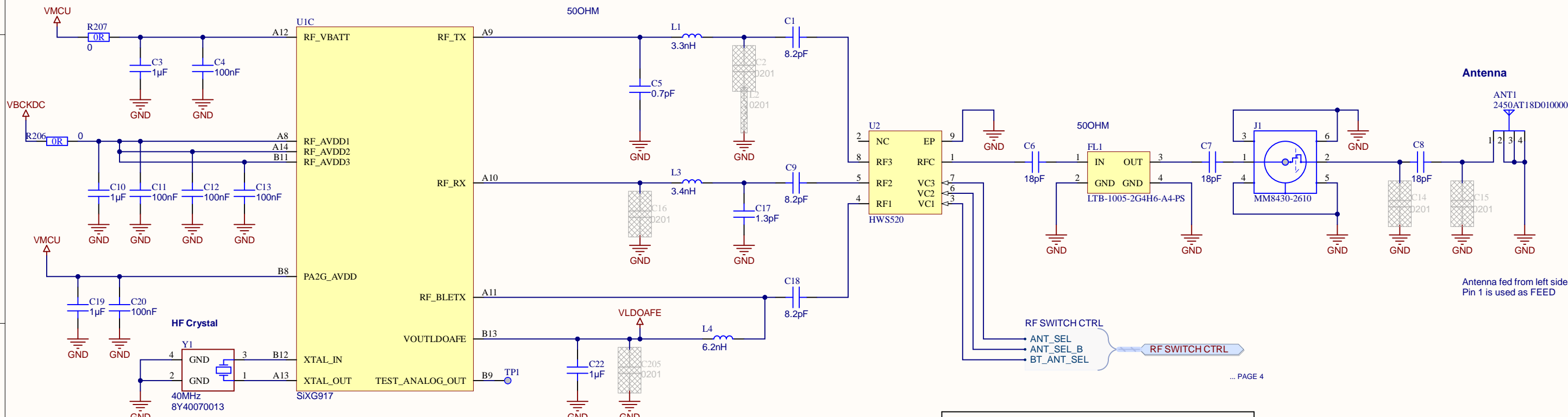
C

D

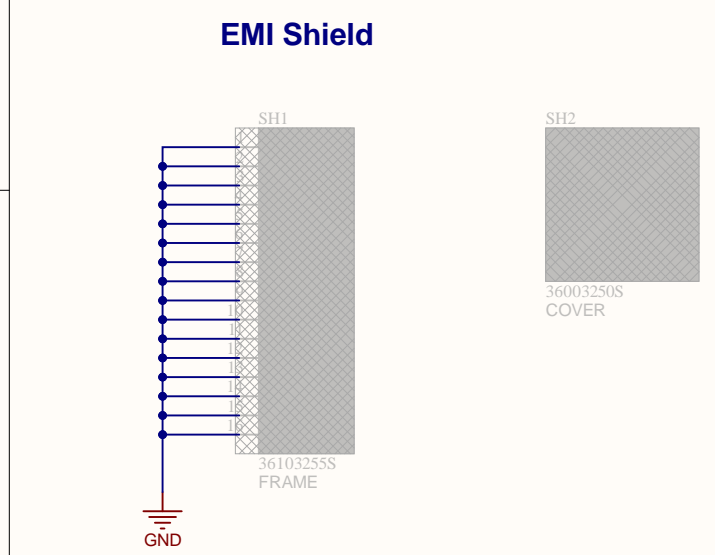
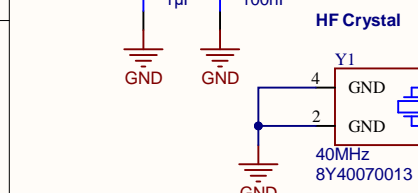
D

		Board name <b>SiWG917 Wi-Fi and BLE SoC Radio Board Int. Flash and Ext.RF switch</b>	
Designed ATC	Approved RGU	Page Title Table of Contents and Revision History	
Size A3	Sheet Modified Date 10/6/2023	Board number BRD4338A	Revision A12--
COPYRIGHT SILICON LABORATORIES INC. 2023 CONFIDENTIAL - SUBJECT TO TERMS OF USE			Sheet 1 of 5

# SiWG917 RF Frontend ( External RF Switch + Band Pass Filter)



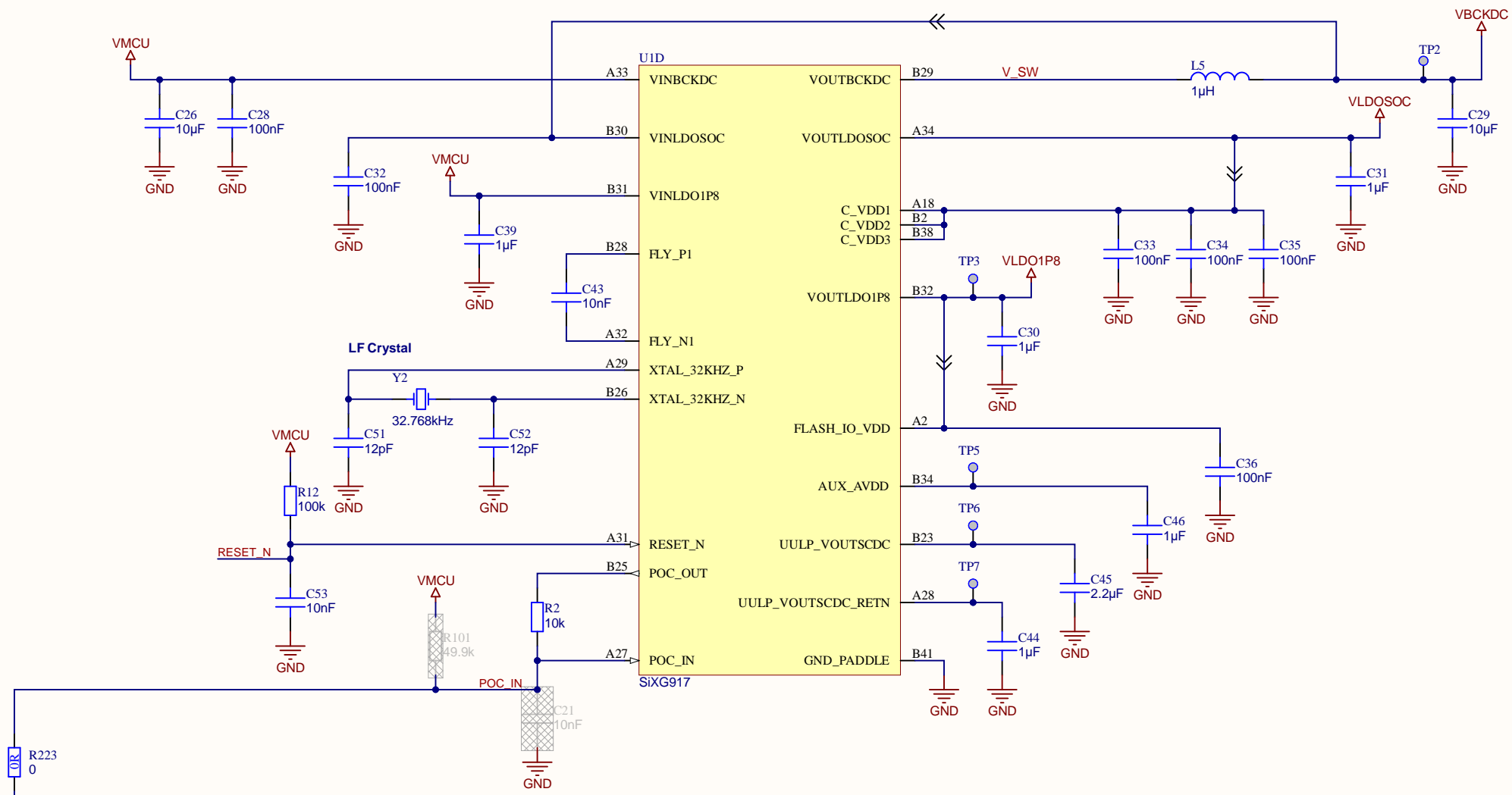
**Antenna**  
 ANTI1 2450AT18D0100001  
 Antenna fed from left side  
 Pin 1 is used as FEED



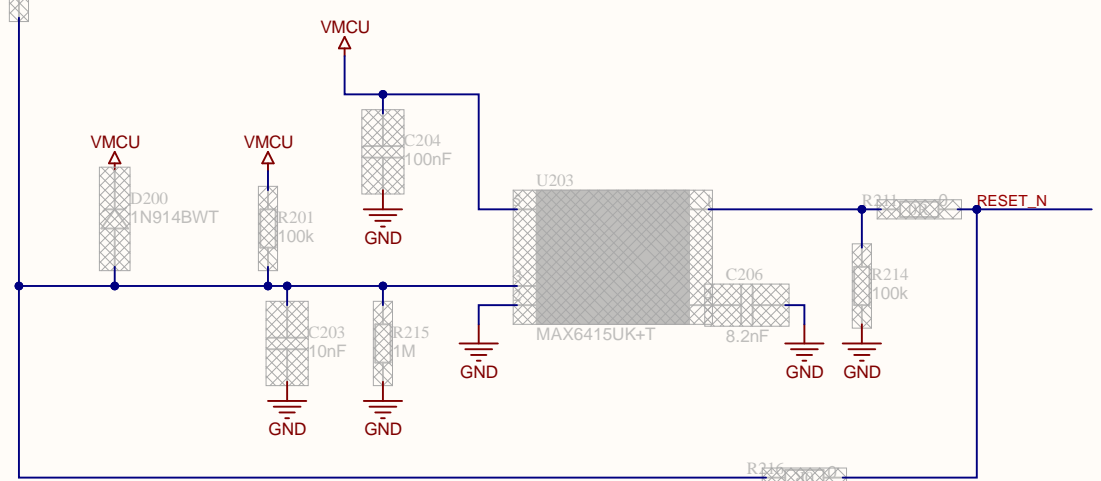
Logic table for RF Switch (U2)

BT_ANT_SEL	ANT_SEL_B	ANT_SEL	RFC
1	0	0	RF_BTTX
0	1	0	RF_RX
0	0	1	RF_TX

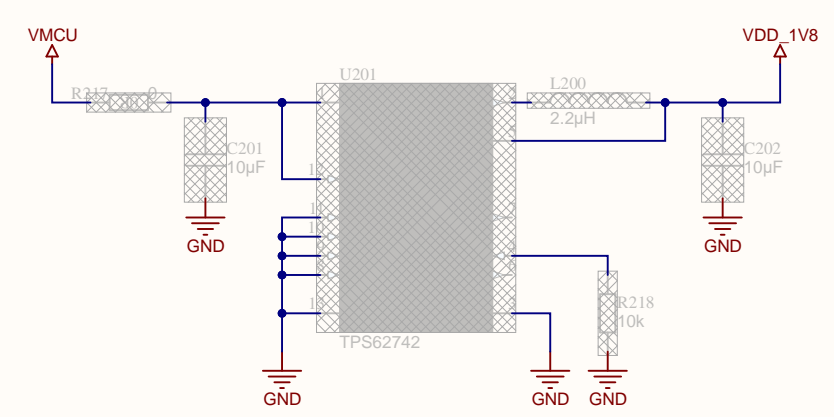
		Board name	
		<b>SiWG917 Wi-Fi and BLE SoC Radio Board</b> <b>Int. Flash and Ext.RF switch</b>	
Designed ATC	Approved RGU	Page Title RF Frontend	
Size A3	Sheet Modified Date 10/31/2023	Board number BRD4338A	Revision A12--
COPYRIGHT SILICON LABORATORIES INC. 2023 CONFIDENTIAL - SUBJECT TO TERMS OF USE			Sheet 2 of 5




Optional Reset Circuit

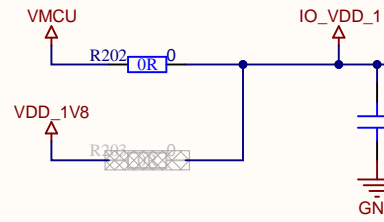


Optional DC/DC Regulator for 1.8V Supply



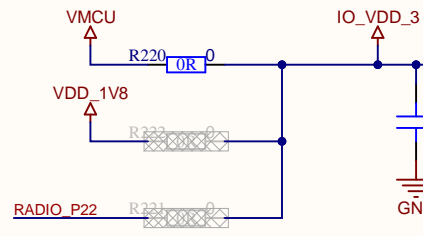
 <b>SILICON LABS</b>		Board name	
		<b>SiWG917 Wi-Fi and BLE SoC Radio Board</b> <i>Int. Flash and Ext.RF switch</i>	
Designed	Approved	Page Title	
ATC	RGU	PMU	
Size	Sheet Modified Date	Board number	Revision
A3	10/31/2023	BRD4338A	A12--
COPYRIGHT SILICON LABORATORIES INC. 2023 CONFIDENTIAL - SUBJECT TO TERMS OF USE			Sheet 3 of 5

### IO\_VDD\_1 Configuration



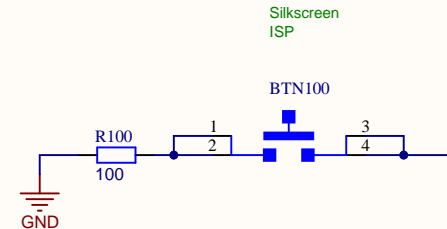
NOTE: remove R204 if IO\_VDD\_1 and IO\_VDD\_3 are selected from different sources

### IO\_VDD\_3 Configuration

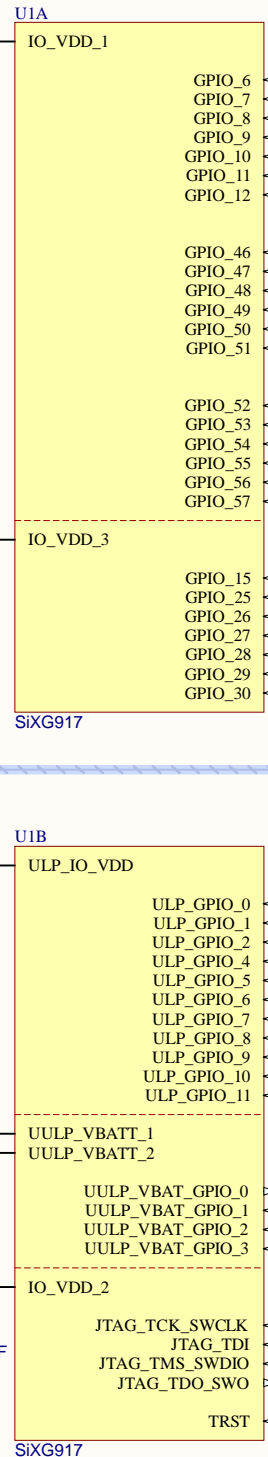


... PAGE 2

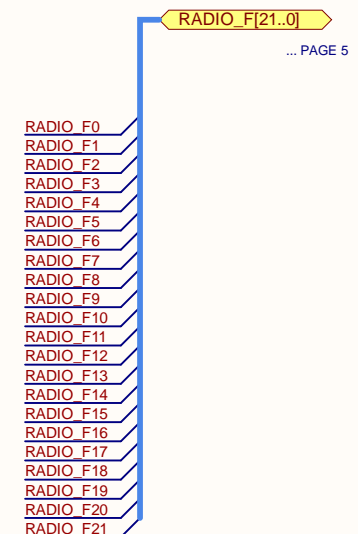
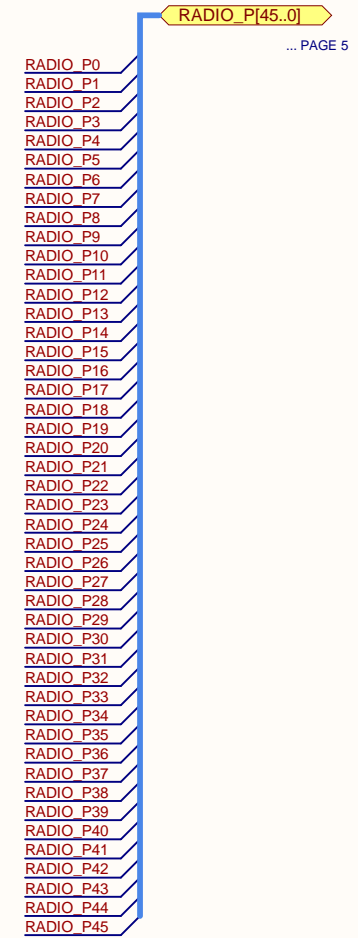
### ISP Mode Button



## SiWG917 Pin Assignment

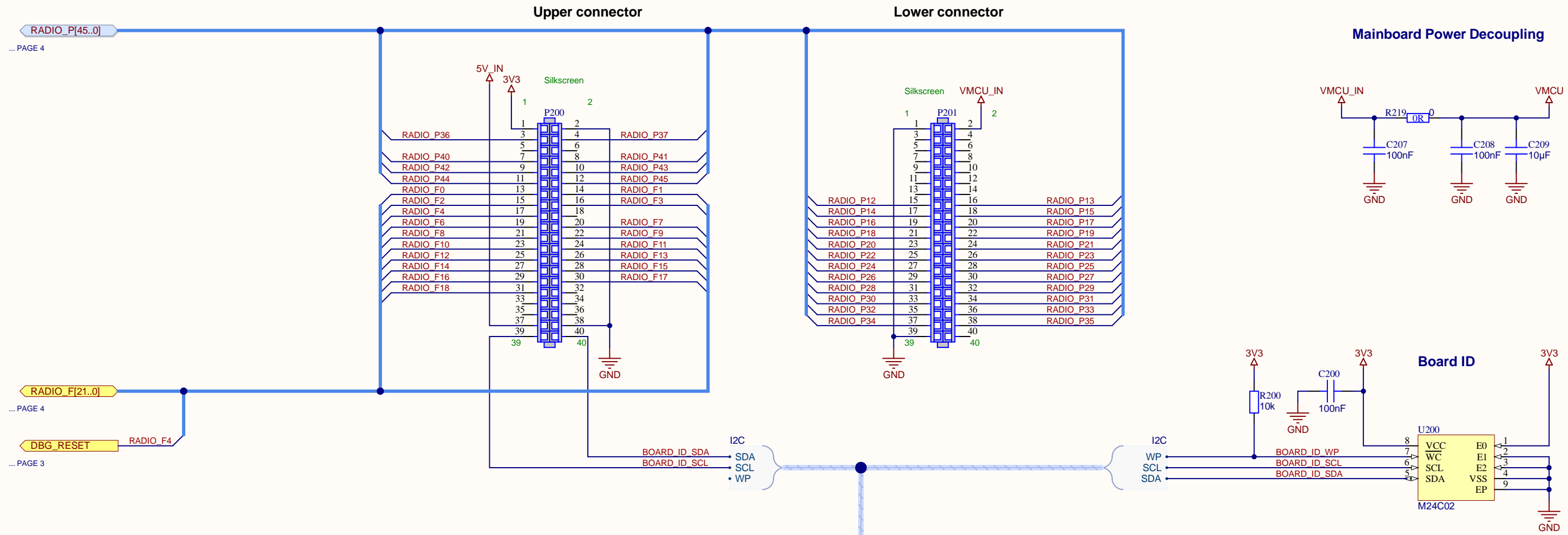


SiWG917 Peripheral	Mainboard Peripheral	Connection	Breakout Header Connection
GPIO_6	B20		RADIO_P19
GPIO_7	B19		RADIO_P20
GPIO_8	A20	TASS UART1_RX	RADIO_F8
GPIO_9	A21	TASS UART1_TX	RADIO_F9
GPIO_10	B3	GPIO	RADIO_F11
GPIO_11	B4	GPIO	RADIO_F13
GPIO_12	A4	MCU_CLK_OUT	RADIO_P21
GPIO_46	A5	GPIO	RADIO_P24
GPIO_47	A7	GPIO	RADIO_P26
GPIO_48	B7	GPIO	RADIO_P28
GPIO_49	B6	GPIO	RADIO_P30
GPIO_50	A6	GPIO	RADIO_P32
GPIO_51	B5	GPIO	RADIO_P34
GPIO_52	A38		RADIO_P40
GPIO_53	B35	M4SS_TRACE_CLK	RADIO_P41
GPIO_54	A39	M4SS_TRACE_D0	RADIO_P42
GPIO_55	B36	M4SS_TRACE_D1	RADIO_P43
GPIO_56	A40	M4SS_TRACE_D2	RADIO_P44
GPIO_57	B37	M4SS_TRACE_D3	RADIO_P45
GPIO_15	A41	M4SS_TRACE_CLKIN	RADIO_P23
GPIO_25	B40	SDIO_CLK	RADIO_P25
GPIO_26	A1	SDIO_CMD	RADIO_P27
GPIO_27	B39	SDIO_D0	RADIO_P29
GPIO_28	A44	SDIO_D1	RADIO_P31
GPIO_29	A43	SDIO_D2	RADIO_P33
GPIO_30	A42	SDIO_D3	RADIO_P35
ULP_GPIO_0	A35	ULP_SPI_DOUT	RADIO_P16
ULP_GPIO_1	B22	GPIO	RADIO_F10
ULP_GPIO_2	A37		
ULP_GPIO_4	B21	BT_ANT_SEL	
ULP_GPIO_5	A19	ANT_SEL	
ULP_GPIO_6	A22	ANT_SEL_B	
ULP_GPIO_7	B18		
ULP_GPIO_8	A36	ULP_I2C_SDA	SENSOR_SDA
ULP_GPIO_9	B18	ULP_I2C_SCL	SENSOR_SCL
ULP_GPIO_10	A24	ULP_SPI_CLK	DISP_SCLK
ULP_GPIO_11	A23	ULP_UART_RX	VCOM_RX
UULP_VBAT_GPIO_0	B10	GPIO	DISP_ENABLE
UULP_VBAT_GPIO_1	B27	GPIO	SENSOR_ENABLE
UULP_VBAT_GPIO_2	B24	GPIO	UIF_BUTTON0
UULP_VBAT_GPIO_3	A25	GPIO	DISP_EXTCOMIN
JTAG_TCK_SWCLK	A17	JTAG_TCK/SWCLK	DBG_TCK/SWCLK
JTAG_TDI	B16	JTAG_TDI	DBG_TDI
JTAG_TMS_SWDIO	A16	JTAG_TMS/SWDIO	DBG_TMS/SWDIO
JTAG_TDO_SWO	B15	JTAG_TDO/SWO/ISP_ENABLE	DBG_TDO/SWO
TRST	A15		



		Board name	
		<b>SiWG917 Wi-Fi and BLE SoC Radio Board</b> <i>Int. Flash and Ext.RF switch</i>	
Designed	Approved	Page Title	
ATC	RGU	Pin Assignment	
Size	Sheet Modified Date	Board number	Revision
A3	10/31/2023	BRD4338A	A12--
COPYRIGHT SILICON LABORATORIES INC. 2023 CONFIDENTIAL - SUBJECT TO TERMS OF USE			Sheet 4 of 5

# Radio Board Socket

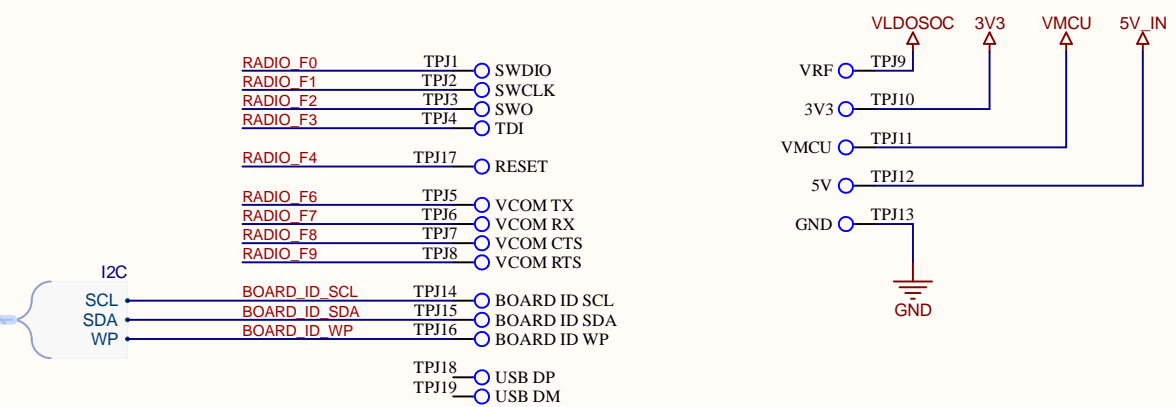


... PAGE 4

... PAGE 4

... PAGE 3

## Production Test Points



LOGO1  
 SILICON LABS  
 LOGO SILABS 14MM

MARK1  
 RoHS

MARK2  
 ESD

MARK3  
 Pb-free

MARK4  
 BOARD INFO FRAME

<b>SILICON LABS</b>		Board name <b>SiWG917 Wi-Fi and BLE SoC Radio Board</b> <b>Int. Flash and Ext.RF switch</b>	
Designed ATC	Approved RGU	Page Title Radio Connectors and Board ID	
Size A3	Sheet Modified Date 10/6/2023	Board number BRD4338A	Revision A12--
COPYRIGHT SILICON LABORATORIES INC. 2023 CONFIDENTIAL - SUBJECT TO TERMS OF USE			Sheet 5 of 5