

TABLE OF CONTENTS:

Page 1 Table of Contents and Revision History

Page 2 RF Frontend


Page 3 PMU

Page 4 Pin Assignment

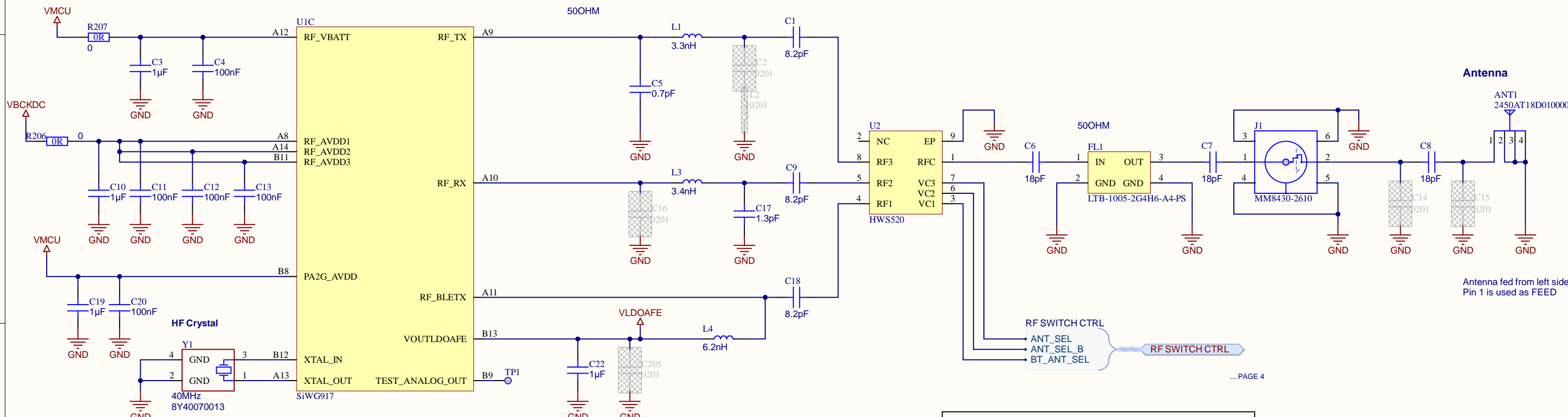
Page 5 Radio Connectors and Board ID

REVISION HISTORY:

A01	Initial Release
A12	Revised antenna, RF matching network, LF XTAL, power routing
A13	Updated stacking connectors, corrected typo in OPN

		Board name SiWG917 Wi-Fi and BLE SoC Radio Board Int. Flash and Ext.RF switch	
Designed ATC	Approved RGU	Page Title Table of Contents and Revision History	
Size A3	Sheet Modified Date 2/21/2024	Board number BRD4338A	Revision A13--
COPYRIGHT SILICON LABORATORIES INC. 2024 CONFIDENTIAL - SUBJECT TO TERMS OF USE			Sheet 1 of 5

SiWG917 RF Frontend (External RF Switch + Band Pass Filter)



Antenna
 ANTI 2450AT18D0100001
 Antenna fed from left side
 Pin 1 is used as FEED

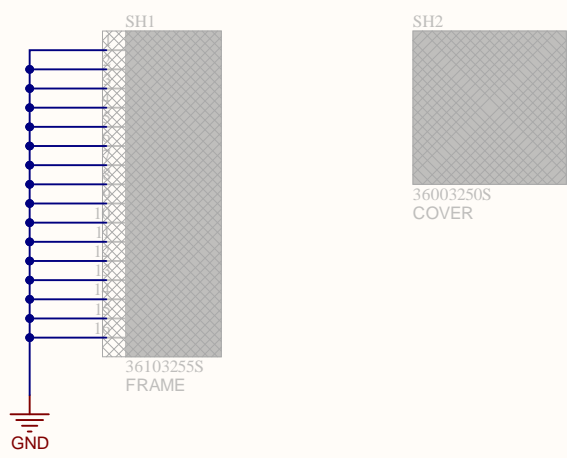
RF SWITCH CTRL
 ANT_SEL
 ANT_SEL_B
 BT_ANT_SEL

... PAGE 4

Logic table for RF Switch (U2)

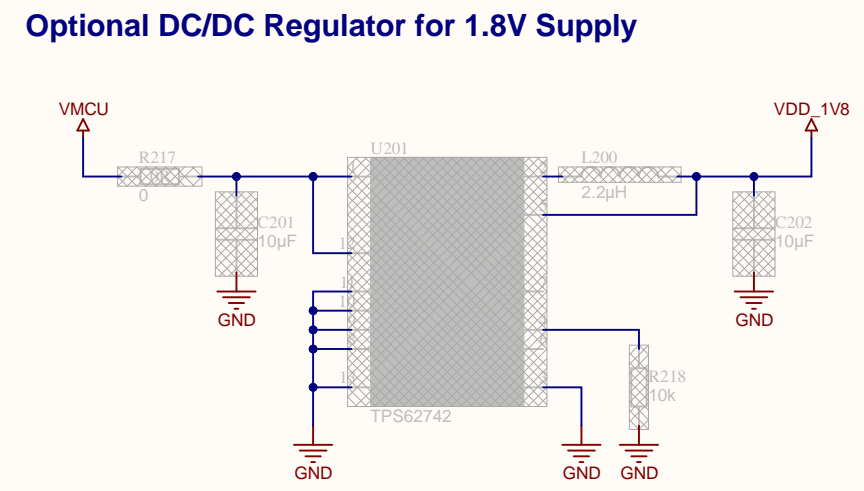
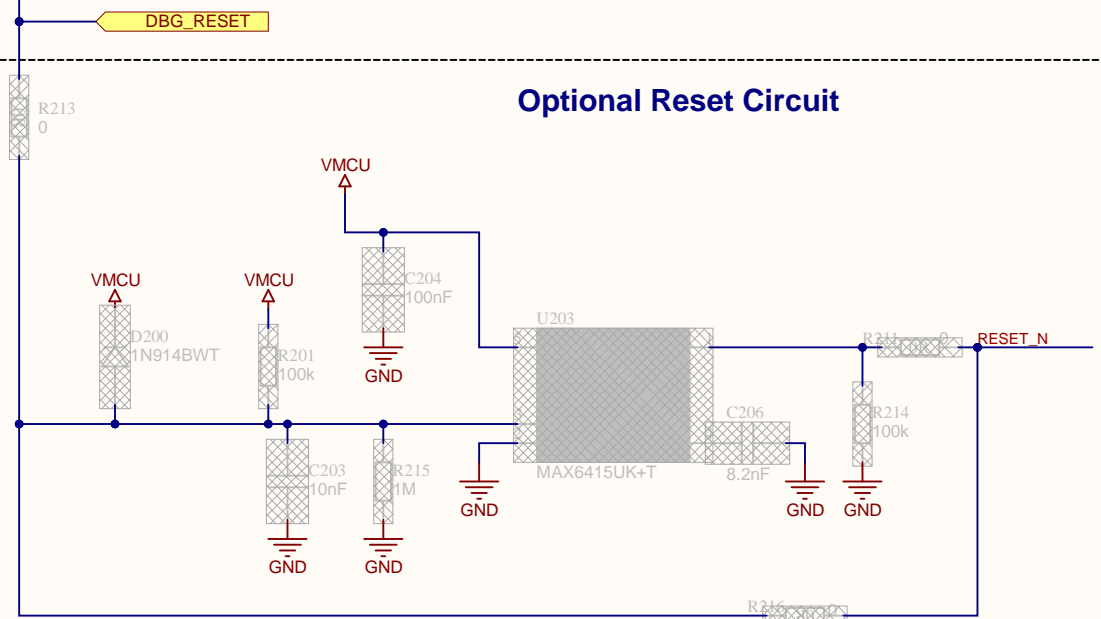
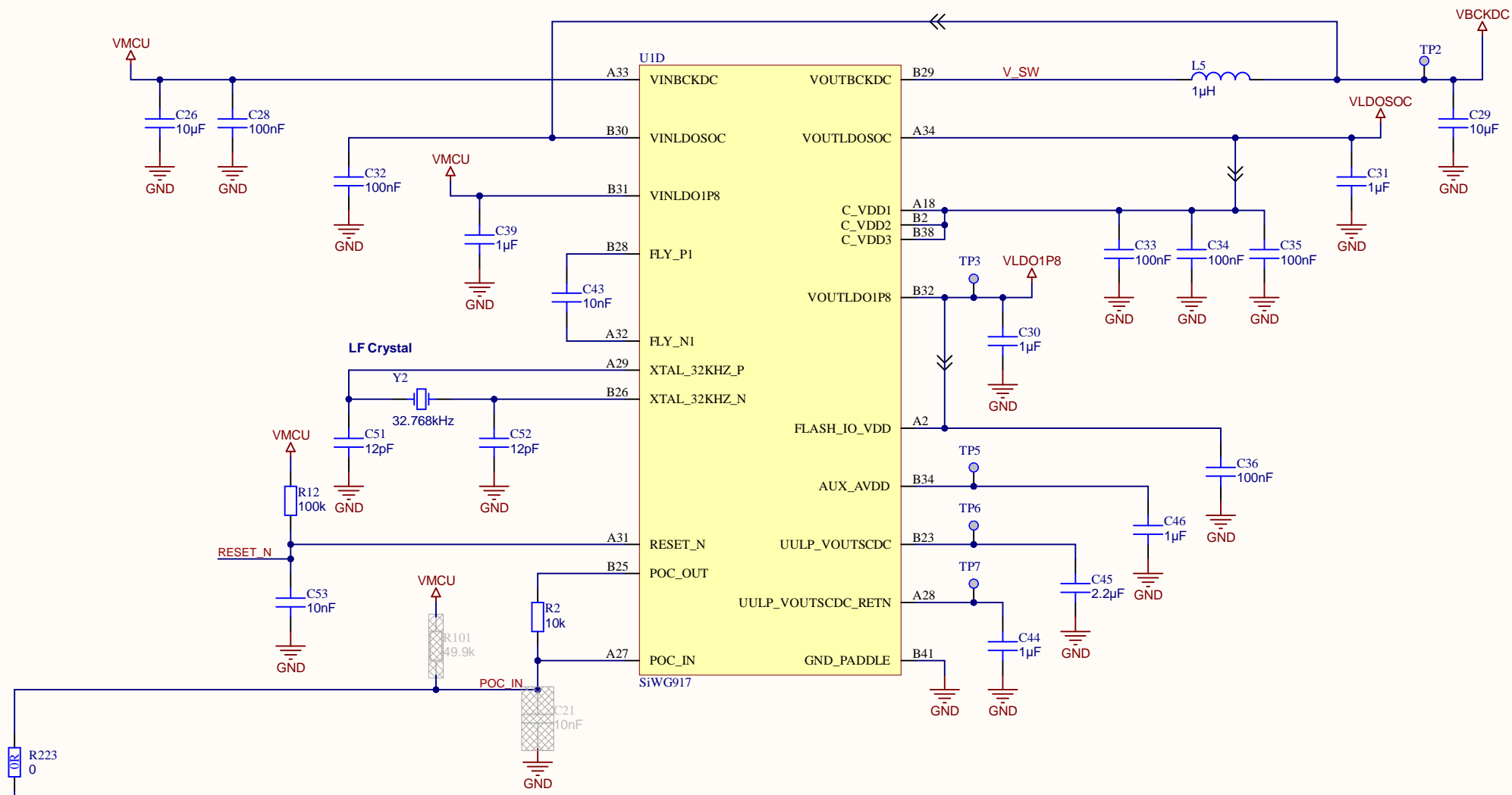
BT_ANT_SEL	ANT_SEL_B	ANT_SEL	RFC
1	0	0	RF_BTTX
0	1	0	RF_RX
0	0	1	RF_TX

EMI Shield



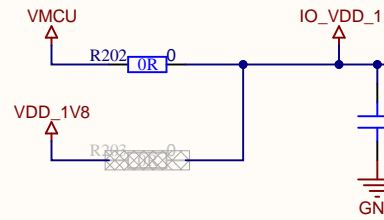
		Board name	
		SiWG917 Wi-Fi and BLE SoC Radio Board Int. Flash and Ext.RF switch	
Designed ATC	Approved RGU	Page Title RF Frontend	
Size A3	Sheet Modified Date 2/21/2024	Board number BRD4338A	Revision A13--
COPYRIGHT SILICON LABORATORIES INC. 2024 CONFIDENTIAL - SUBJECT TO TERMS OF USE			Sheet 2 of 5

SiWG917 Power



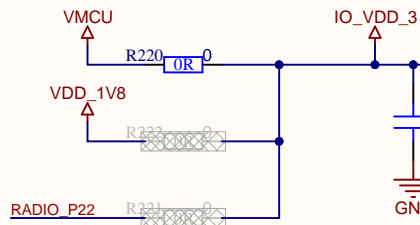
		Board name	
		SiWG917 Wi-Fi and BLE SoC Radio Board <i>Int. Flash and Ext.RF switch</i>	
Designed	Approved	Page Title	
ATC	RGU	PMU	
Size	Sheet Modified Date	Board number	Revision
A3	2/21/2024	BRD4338A	A13--
COPYRIGHT SILICON LABORATORIES INC. 2024 CONFIDENTIAL - SUBJECT TO TERMS OF USE			Sheet 3 of 5

IO_VDD_1 Configuration



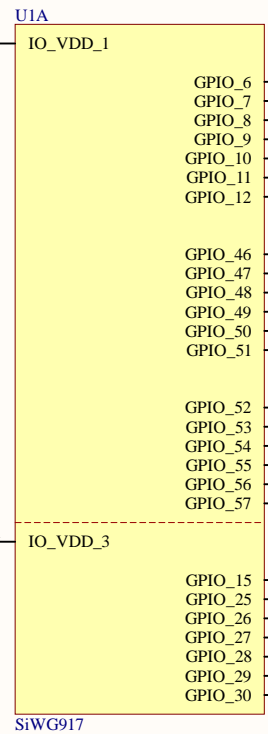
NOTE: remove R204 if IO_VDD_1 and IO_VDD_3 are selected from different sources

IO_VDD_3 Configuration



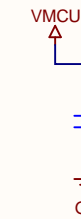
... PAGE 2

SiWG917 Pin Assignment

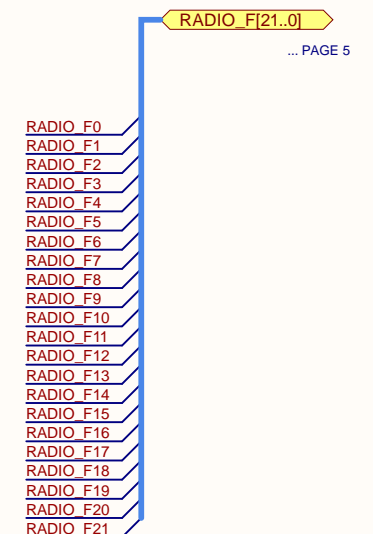
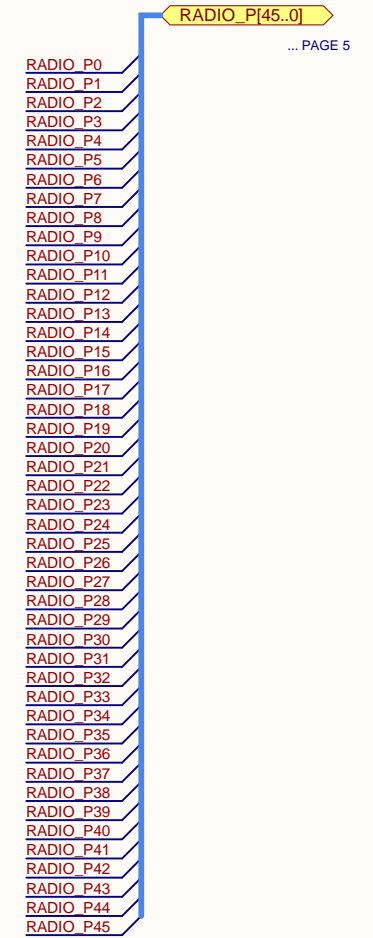
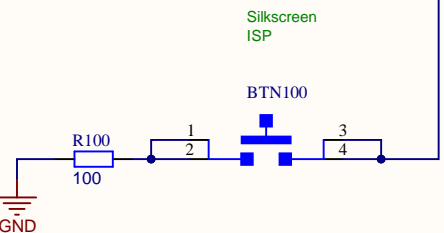


SiWG917 Peripheral	Connection	Breakout Header Connection	EXP Header Connection
GPIO_6	B20	RADIO_P19	RADIO_P0
GPIO_7	B19	RADIO_P20	RADIO_P1
GPIO_8	A20	RADIO_F8	RADIO_P2
GPIO_9	A21	RADIO_F9	RADIO_P3
GPIO_10	B3	RADIO_F11	RADIO_P4
GPIO_11	B4	RADIO_F13	RADIO_P5
GPIO_12	A4	RADIO_P21	RADIO_P6
GPIO_46	A5	RADIO_P24	RADIO_P7
GPIO_47	A7	RADIO_P26	RADIO_P8
GPIO_48	B7	RADIO_P28	RADIO_P9
GPIO_49	B6	RADIO_P30	RADIO_P10
GPIO_50	A6	RADIO_P32	RADIO_P11
GPIO_51	B5	RADIO_P34	RADIO_P12
GPIO_52	A38	RADIO_P40	RADIO_P13
GPIO_53	B35	RADIO_P41	RADIO_P14
GPIO_54	A39	RADIO_P42	RADIO_P15
GPIO_55	B36	RADIO_P43	RADIO_P16
GPIO_56	A40	RADIO_P44	RADIO_P17
GPIO_57	B37	RADIO_P45	RADIO_P18
GPIO_15	A41	RADIO_P23	RADIO_P19
GPIO_25	B40	RADIO_P25	RADIO_P20
GPIO_26	A1	RADIO_P27	RADIO_P21
GPIO_27	B39	RADIO_P29	RADIO_P22
GPIO_28	A44	RADIO_P31	RADIO_P23
GPIO_29	A43	RADIO_P33	RADIO_P24
GPIO_30	A42	RADIO_P35	RADIO_P25
M4SS_TRACE_CLK	B35	RADIO_P41	RADIO_P26
M4SS_TRACE_D0	A39	RADIO_P42	RADIO_P27
M4SS_TRACE_D1	B36	RADIO_P43	RADIO_P28
M4SS_TRACE_D2	A40	RADIO_P44	RADIO_P29
M4SS_TRACE_D3	B37	RADIO_P45	RADIO_P30
M4SS_TRACE_CLKIN	A41	RADIO_P23	RADIO_P31
SDIO_CLK	B40	RADIO_P25	RADIO_P32
SDIO_CMD	A1	RADIO_P27	RADIO_P33
SDIO_D0	B39	RADIO_P29	RADIO_P34
SDIO_D1	A44	RADIO_P31	RADIO_P35
SDIO_D2	A43	RADIO_P33	RADIO_P36
SDIO_D3	A42	RADIO_P35	RADIO_P37
UPLP_SPI_DOUT	A35	RADIO_P16	RADIO_P38
GPIO	B22	RADIO_F10	RADIO_P39
ULP_I2C_SDA	A22	RADIO_P13	RADIO_P40
ULP_I2C_SCL	B18	RADIO_P12	RADIO_P41
ULP_SPI_CLK	A36	RADIO_P15	RADIO_P42
ULP_UART_RX	A24	RADIO_F7	RADIO_P43
ULP_SPI_CS0	A23	RADIO_P17	RADIO_P44
ULP_UART_TX	B17	RADIO_F6	RADIO_P45
GPIO	B10	RADIO_P14	RADIO_P46
GPIO	B27	RADIO_P37	RADIO_P47
GPIO	B24	RADIO_F12	RADIO_P48
GPIO	A25	RADIO_P18	RADIO_P49
JTAG_TCK/SWCLK	A17	RADIO_F1	RADIO_P50
JTAG_TDI	B16	RADIO_F3	RADIO_P51
JTAG_TMS/SWDIO	A16	RADIO_F0	RADIO_P52
JTAG_TDO/SWO/ISP_ENABLE	B15	RADIO_F2	RADIO_P53

RF SWITCH CTRL

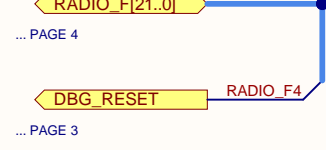
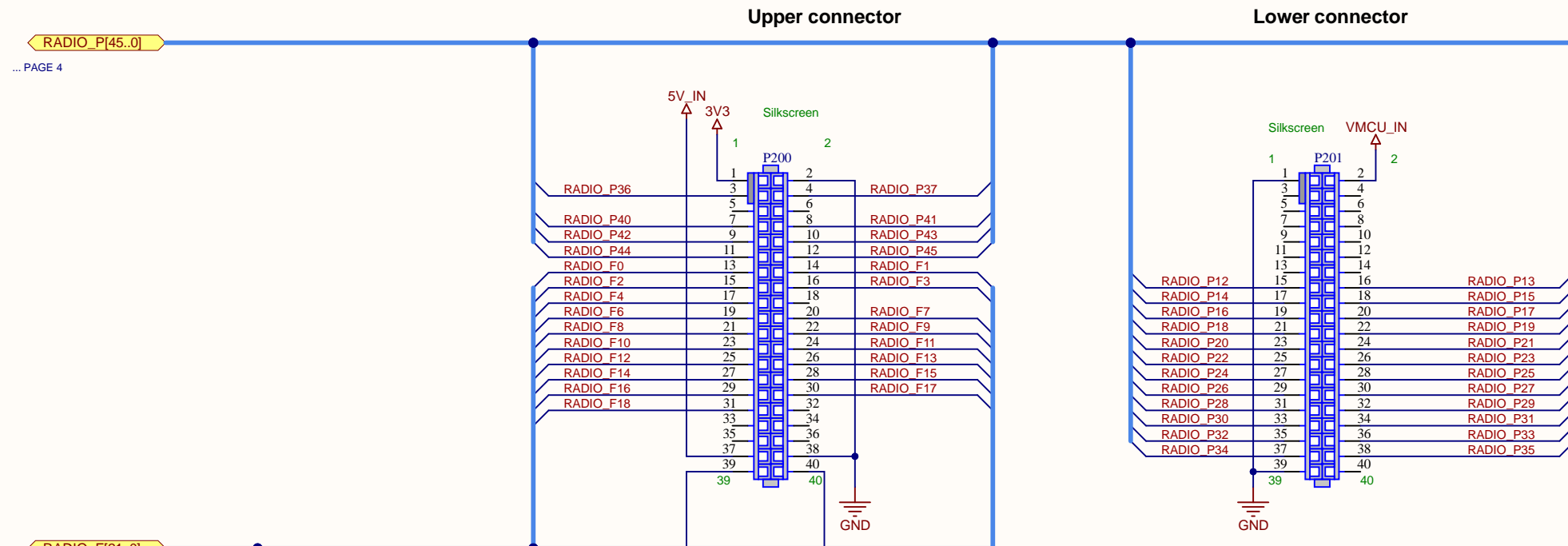


ISP Mode Button

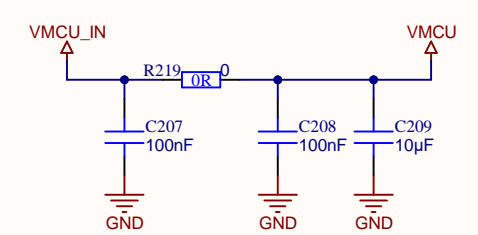


		Board name SiWG917 Wi-Fi and BLE SoC Radio Board Int. Flash and Ext.RF switch	
Designed ATC	Approved RGU	Page Title Pin Assignment	
Size A3	Sheet Modified Date 2/21/2024	Board number BRD4338A	Revision A13--
COPYRIGHT SILICON LABORATORIES INC. 2024 CONFIDENTIAL - SUBJECT TO TERMS OF USE			Sheet 4 of 5

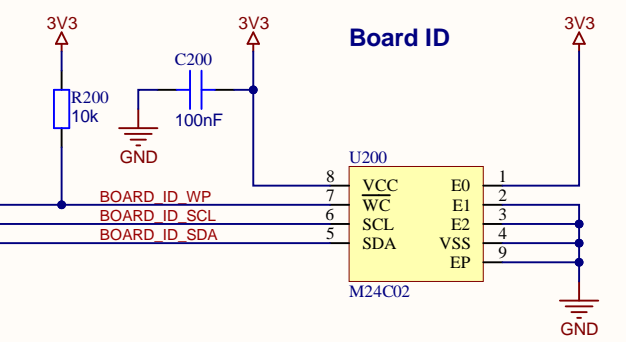
Radio Board Socket



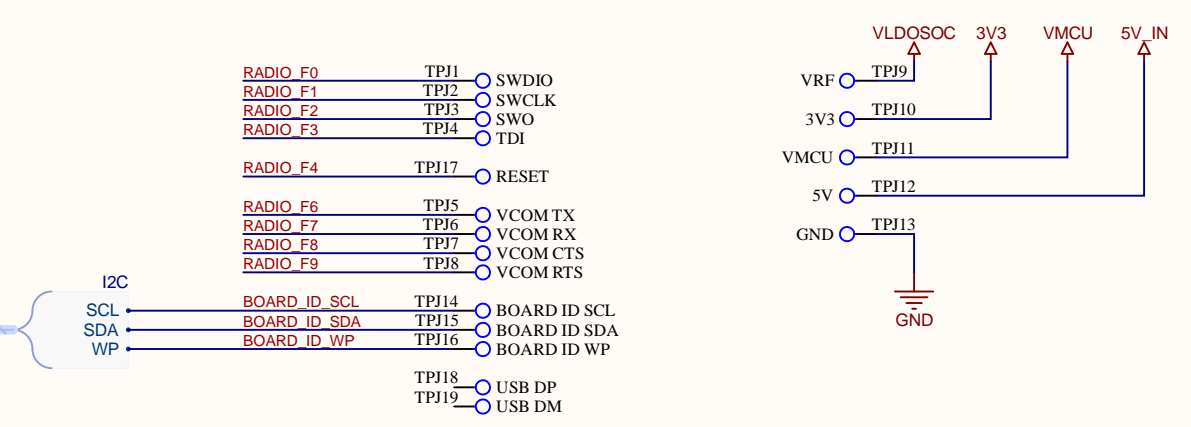
Mainboard Power Decoupling



Board ID



Production Test Points



		Board name SiWG917 Wi-Fi and BLE SoC Radio Board Int. Flash and Ext.RF switch	
Designed ATC	Approved RGU	Page Title Radio Connectors and Board ID	
Size A3	Sheet Modified Date 2/21/2024	Board number BRD4338A	Revision A13--
COPYRIGHT SILICON LABORATORIES INC. 2024 CONFIDENTIAL - SUBJECT TO TERMS OF USE			Sheet 5 of 5