

TABLE OF CONTENTS:

REVISION HISTORY:

Page 1 Table of Contents and Revision History

Page 2 RF Section

Page 3 Power Section

Page 4 Pin Assignment and QSPI PSRAM

Page 5 Radio Connectors and Board ID

A01 Initial Release

A

A

B


B

C

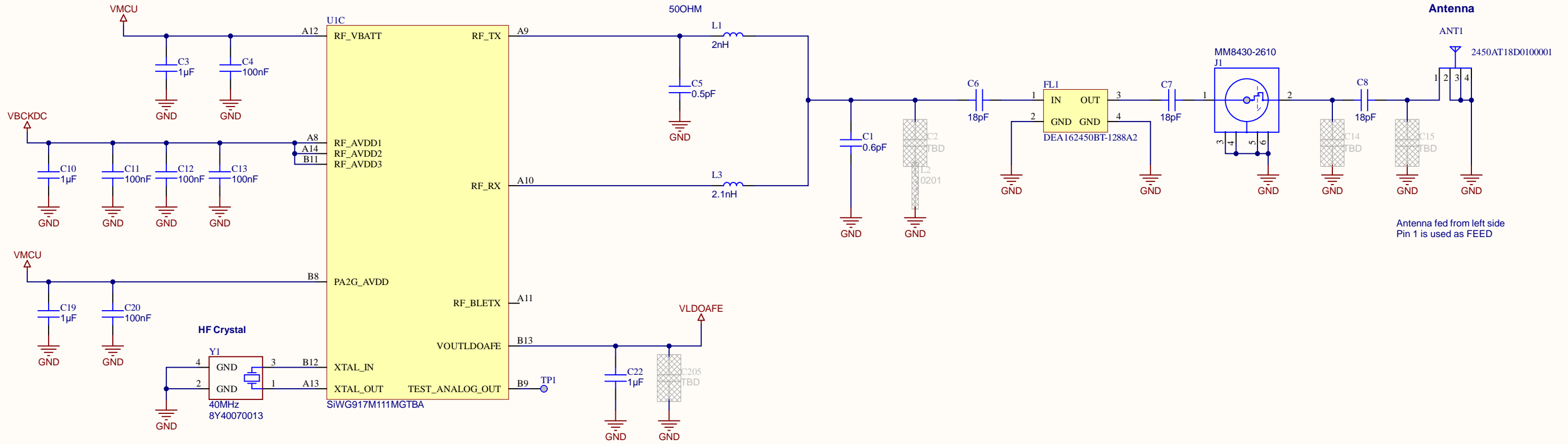
C

D

D

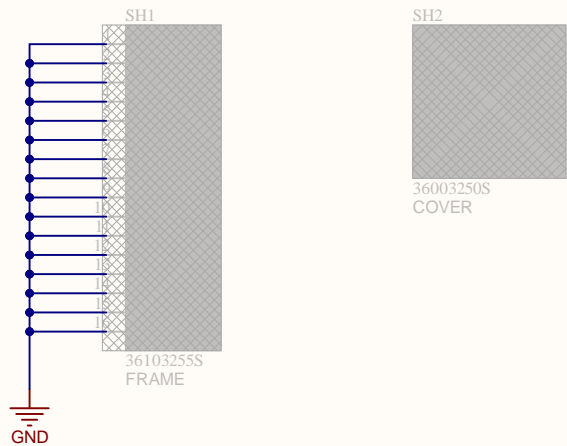
 SILICON LABS		Board name	
		SiWG917 Wi-Fi and BLE SoC Radio Board Int.Flash, Ext.PSRAM & Internal RF Switch	
Designed	Approved	Page Title	
ATC	RGU	Table of Contents and Revision History	
Size	Sheet Modified Date	Board number	Revision
A3	5/23/2023	BRD4342A	A01--
COPYRIGHT SILICON LABORATORIES INC. 2023 CONFIDENTIAL - SUBJECT TO TERMS OF USE			Sheet 1 of 5


SiWG917 RF Frontend (Internal RF Switch + BPF)



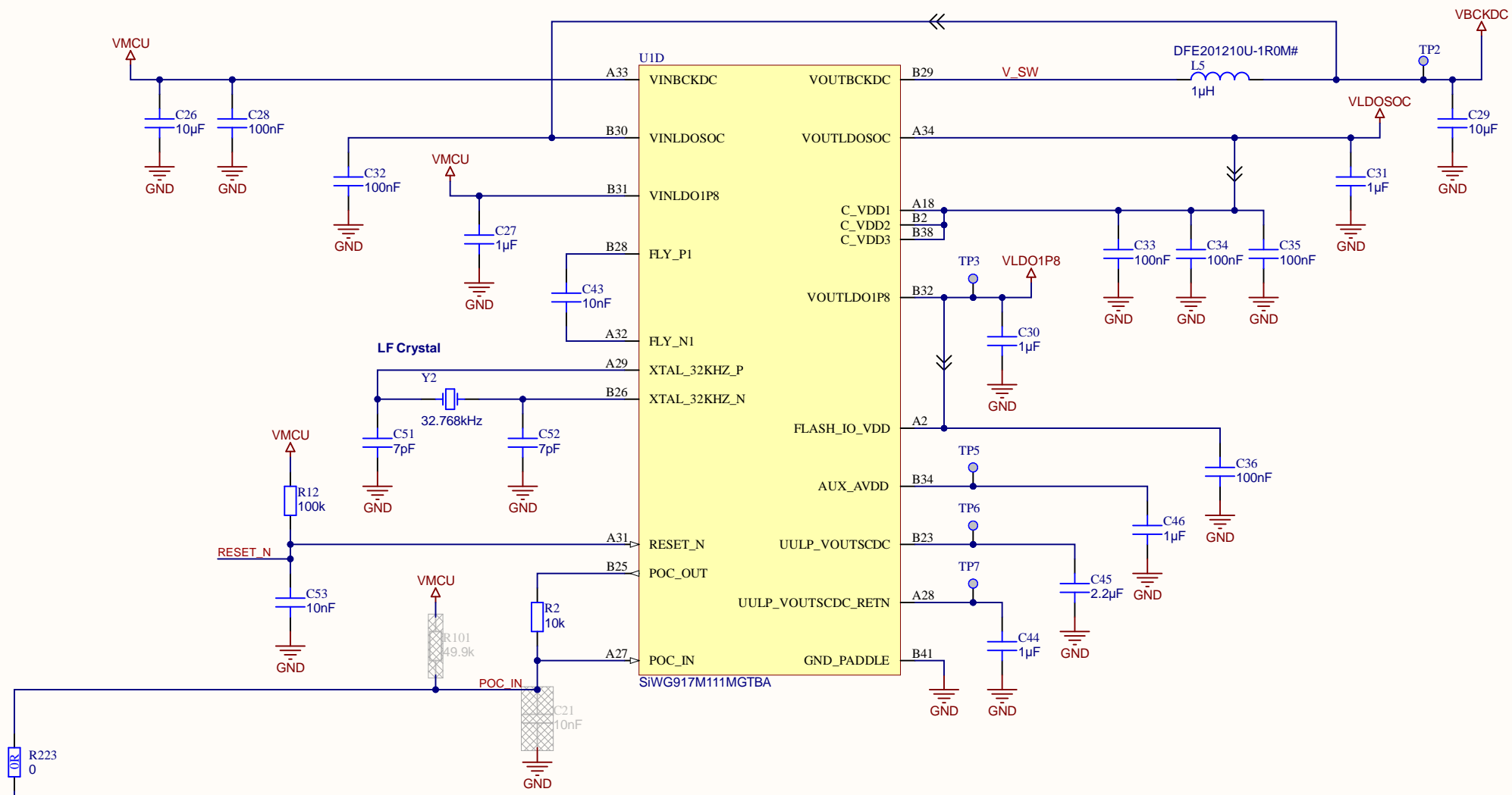
Antenna fed from left side
Pin 1 is used as FEED

EMI Shield

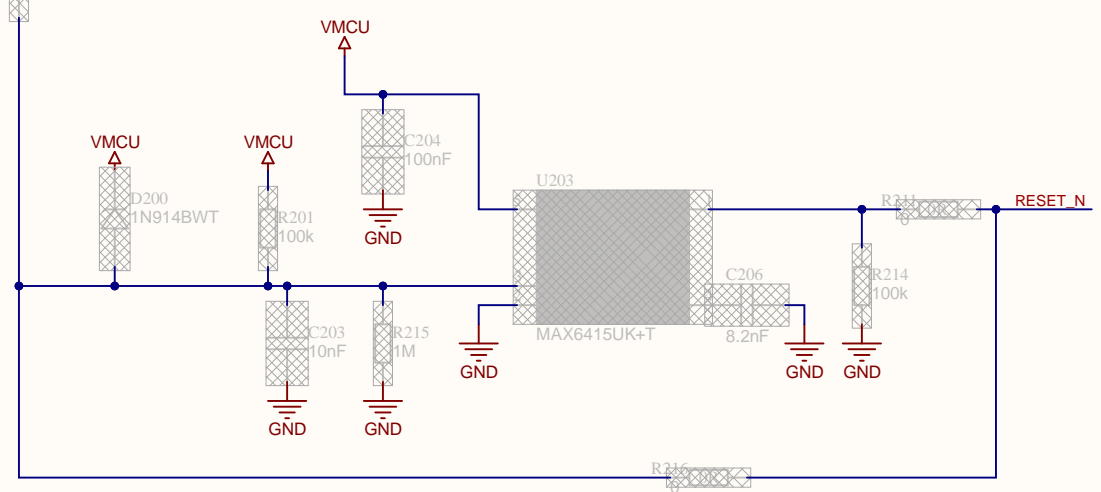


 SILICON LABS		Board name	
		SiWG917 Wi-Fi and BLE SoC Radio Board Int.Flash, Ext.PSRAM & Internal RF Switch	
Designed ATC	Approved RGU	Page Title RF Section	
Size A3	Sheet Modified Date 5/29/2023	Board number BRD4342A	Revision A01--
COPYRIGHT SILICON LABORATORIES INC. 2023 CONFIDENTIAL - SUBJECT TO TERMS OF USE			Sheet 2 of 5

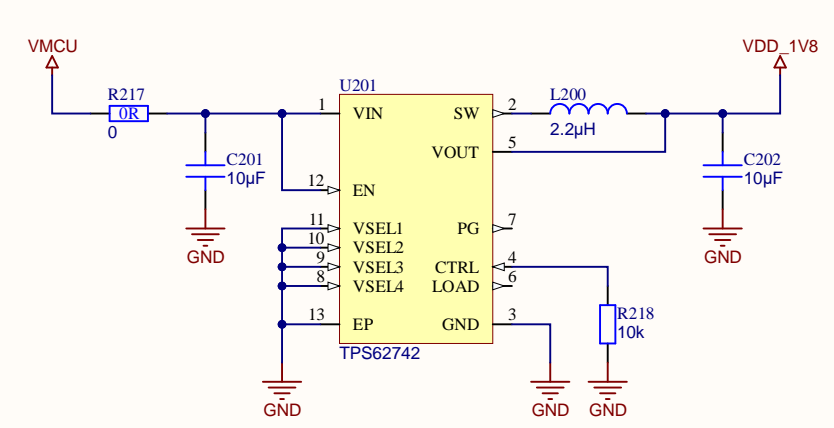
SiWG917 Power



Optional Reset Circuit

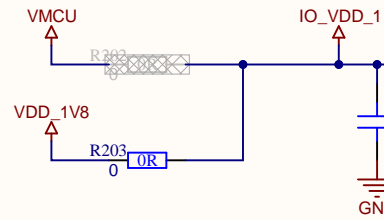


DC/DC Regulator for 1.8V Supply

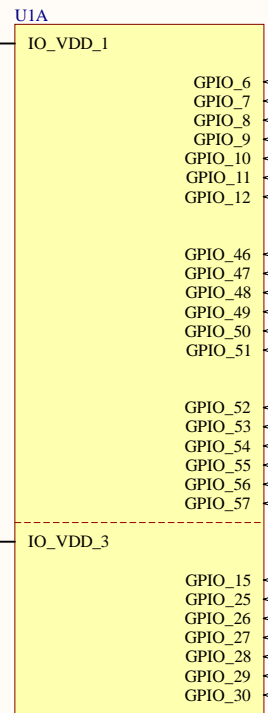


		Board name	
		SiWG917 Wi-Fi and BLE SoC Radio Board Int.Flash, Ext.PSRAM & Internal RF Switch	
Designed	Approved	Page Title	
ATC	RGU	Power Section	
Size	Sheet Modified Date	Board number	Revision
A3	5/29/2023	BRD4342A	A01--
COPYRIGHT SILICON LABORATORIES INC. 2023 CONFIDENTIAL - SUBJECT TO TERMS OF USE			Sheet 3 of 5

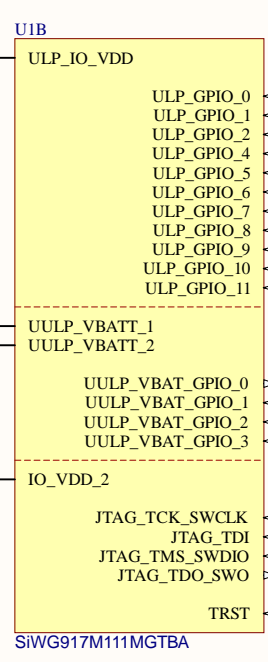
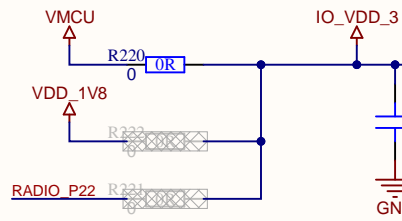
IO_VDD_1 Configuration



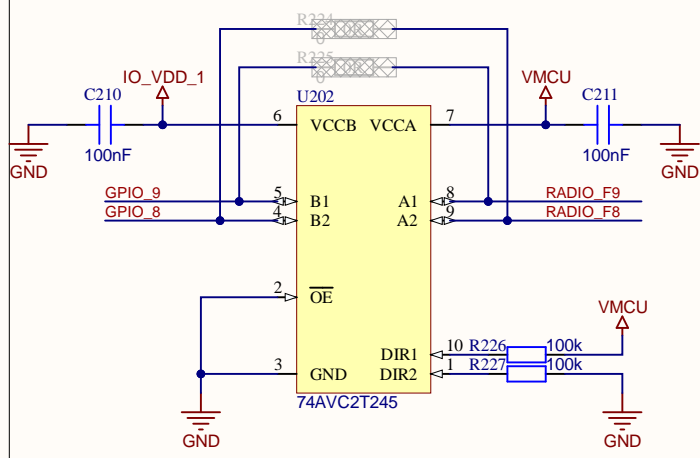
SiWG917 Pin Assignment



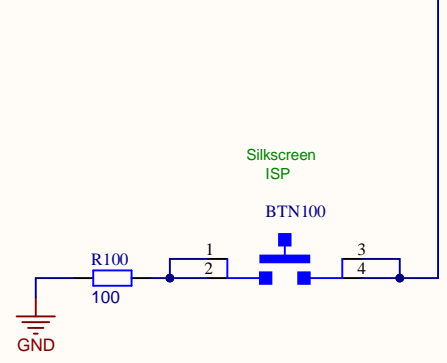
IO_VDD_3 Configuration



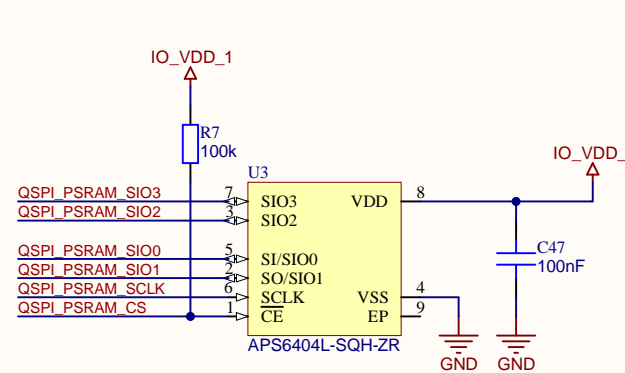
Level Shifter



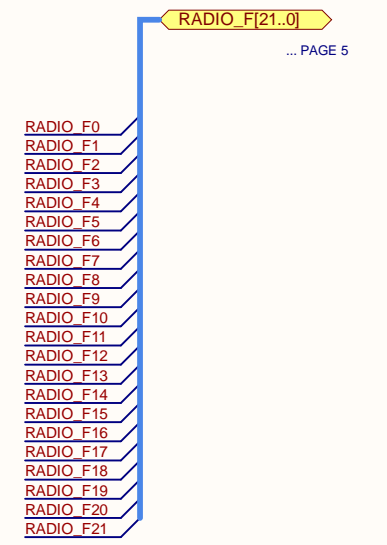
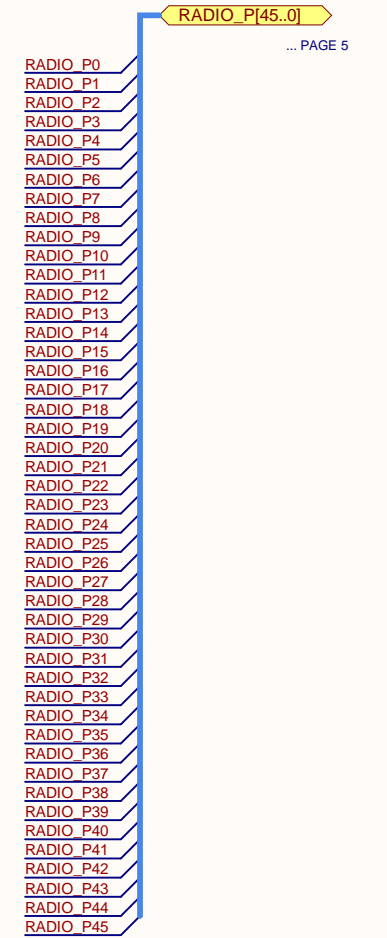
ISP Mode Button



QSPI PSRAM

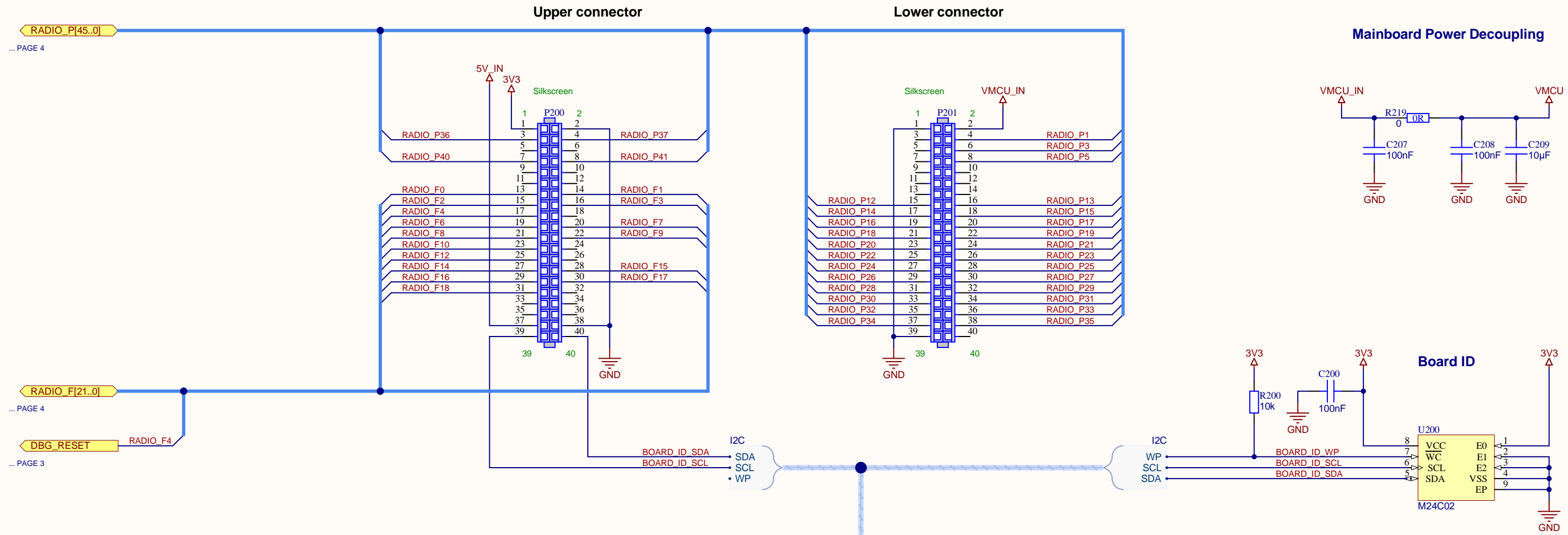


SiWG917 Peripheral	Connection	Breakout Header Connection	EXP Header Connection
GPIO		RADIO_P19	
GPIO		RADIO_P20	
TASS UART1_RX	VCOM_RX	RADIO_F8	
TASS UART1_TX	VCOM_TX	RADIO_F9	
GPIO		RADIO_P40	
GPIO		RADIO_P41	
MCU_CLK_OUT		RADIO_P21	
GPIO		RADIO_P24	
GPIO		RADIO_P26	
GPIO		RADIO_P28	
GPIO		RADIO_P30	
GPIO		RADIO_P32	
GPIO		RADIO_P34	
QSPI_PSRAM_SCLK			
QSPI_PSRAM_SIO0			
QSPI_PSRAM_SIO1			
QSPI_PSRAM_CS			
QSPI_PSRAM_SIO2			
QSPI_PSRAM_SIO3			
M4SS_TRACE_CLKIN		RADIO_P23	
CLK		RADIO_P25	
CMD		RADIO_P27	
D0		RADIO_P29	
D1		RADIO_P31	
D2		RADIO_P33	
D3		RADIO_P35	
JOYSTICK		RADIO_P36	
GPIO		RADIO_P1	
ULP_SPI_DOUT	DISP_SI	RADIO_P16	RADIO_F16
GPIO	UIF_LED0	RADIO_F10	
GPIO		RADIO_P3	
GPIO		RADIO_P5	
ULP_I2C_SDA	SENSOR_SDA		EXP_HEADER16 RADIO_P13
ULP_I2C_SCL	SENSOR_SCL		EXP_HEADER15 RADIO_P12
ULP_SPI_CLK	DISP_SCLK	RADIO_P15	RADIO_F15
ULP_UART_RX	VCOM_RX	RADIO_F7	
ULP_SPI_CS0	DISP_SCS	RADIO_P17	RADIO_F17
ULP_UART_TX	VCOM_TX	RADIO_F6	
GPIO	DISP_ENABLE	RADIO_P14	RADIO_F14
GPIO	SENSOR_ENABLE	RADIO_P37	
WAKEUP	UIF_BUTTON0	RADIO_F12	
WAKEUP	DISP_EXTCOMIN	RADIO_P18	RADIO_F18
JTAG_TCK/SWCLK	DBG_TCK/SWCLK	RADIO_F1	
JTAG_TDI	DBG_TDI	RADIO_F3	
JTAG_TMS/SWDIO	DBG_TMS/SWDIO	RADIO_F0	
JTAG_TDO/SWO/ISP_ENABLE	DBG_TDO/SWO	RADIO_F2	



		Board name SiWG917 Wi-Fi and BLE SoC Radio Board Int.Flash, Ext.PSRAM & Internal RF Switch	
		Page Title Pin Assignment and QSPI Flash	
Designed ATC	Approved RGU	Board number BRD4342A	Revision A01--
Size A3	Sheet Modified Date 5/29/2023	COPYRIGHT SILICON LABORATORIES INC. 2023 CONFIDENTIAL - SUBJECT TO TERMS OF USE	
			Sheet 4 of 5

Radio Board Socket

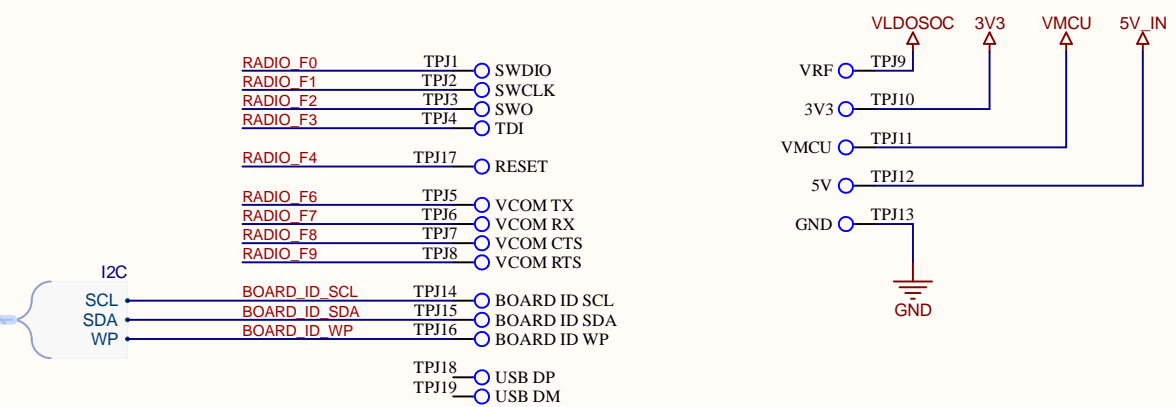


... PAGE 4

... PAGE 4

... PAGE 3


Production Test Points









		Board name SiWG917 Wi-Fi and BLE SoC Radio Board Int.Flash, Ext.PSRAM & Internal RF Switch	
Designed ATC	Approved RGU	Page Title Radio Connectors and Board ID	
Size A3	Sheet Modified Date 5/29/2023	Board number BRD4342A	Revision A01--
COPYRIGHT SILICON LABORATORIES INC. 2023 CONFIDENTIAL - SUBJECT TO TERMS OF USE			Sheet 5 of 5