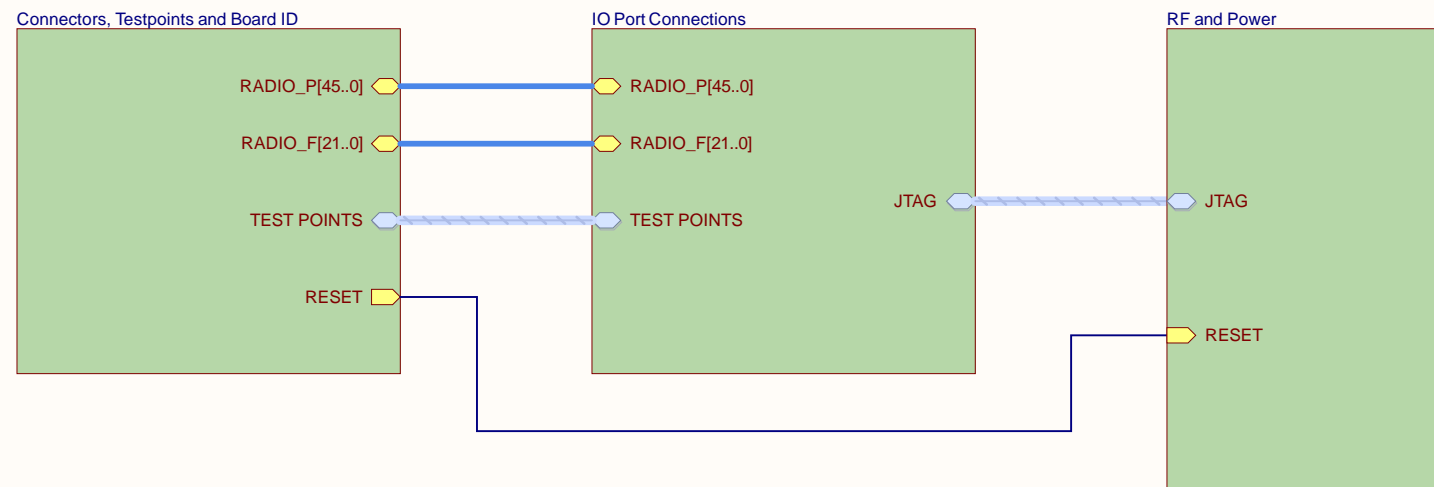



**TABLE OF CONTENTS:**

Page 1 Table of Contents and Revision History  
 Page 2 RF and Power  
 Page 3 IO Port Connections  
 Page 4 Connectors, Testpoints and Board ID

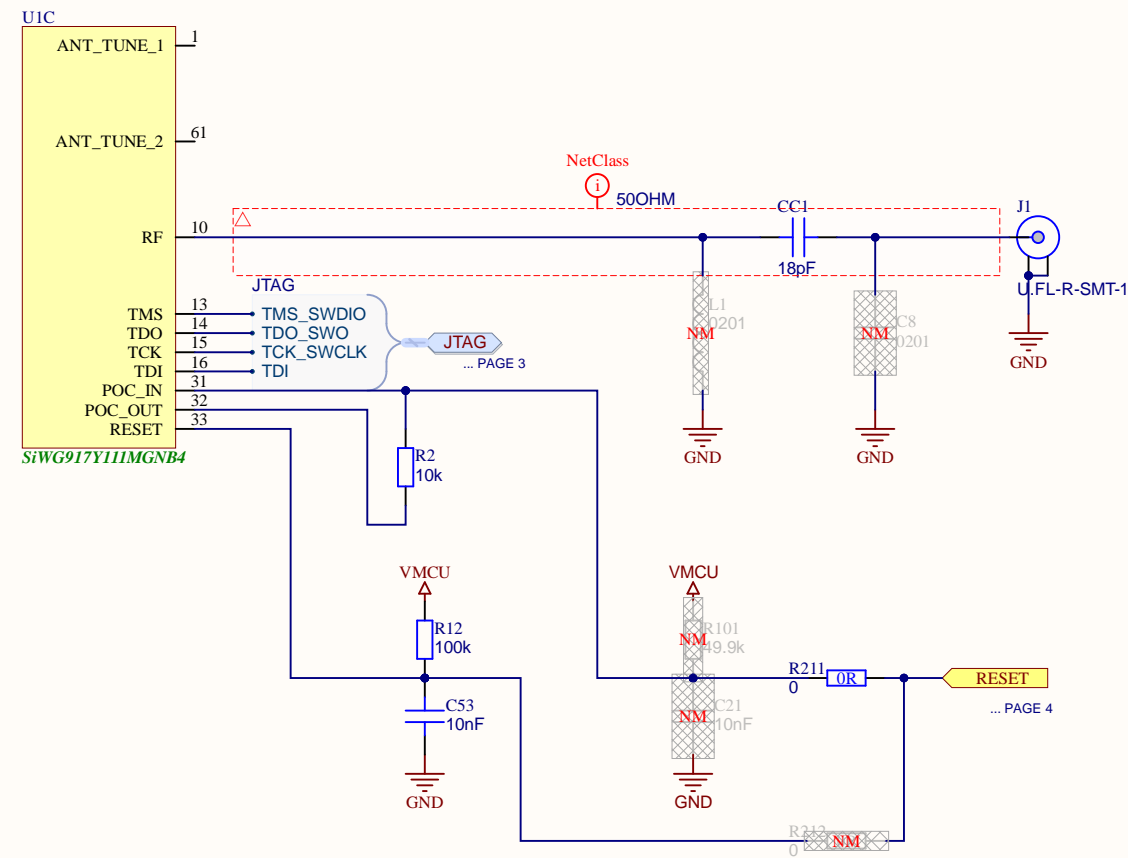
**REVISION HISTORY:**

A01	Initial Release
A02	Added option to connect DBG_RESET to RESET_N C21, R101 are not mounted
A03	Updated module revision
A04	Updated module revision

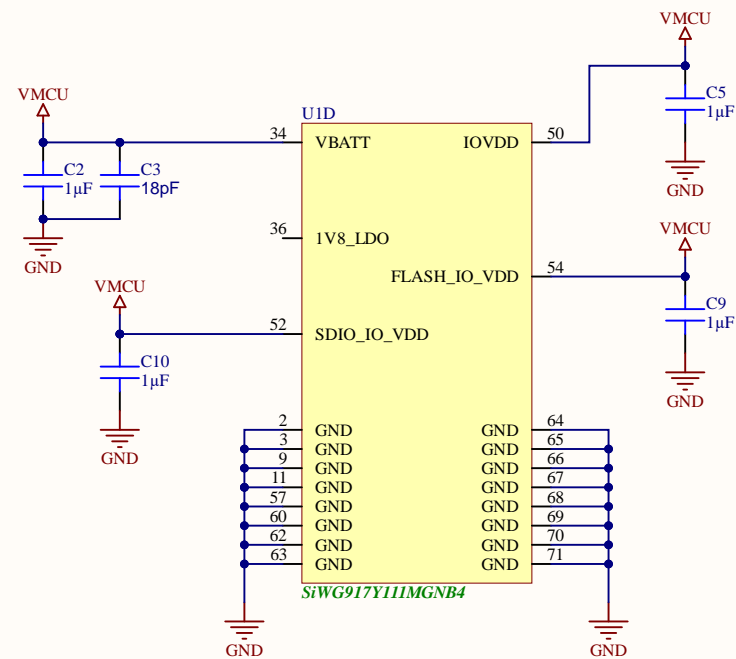



		Board name <b>SiWG917Y Module Radio Board</b>	
Designed TAB	Approved JSH	Page Title Table of Contents and Revision History	
Size A3	Sheet Modified Date 2024. 01. 23.	Board number BRD4343A	Revision A04--
COPYRIGHT SILICON LABORATORIES INC. 2022 CONFIDENTIAL - SUBJECT TO TERMS OF USE			Sheet 1 of 4

# Radio Interface

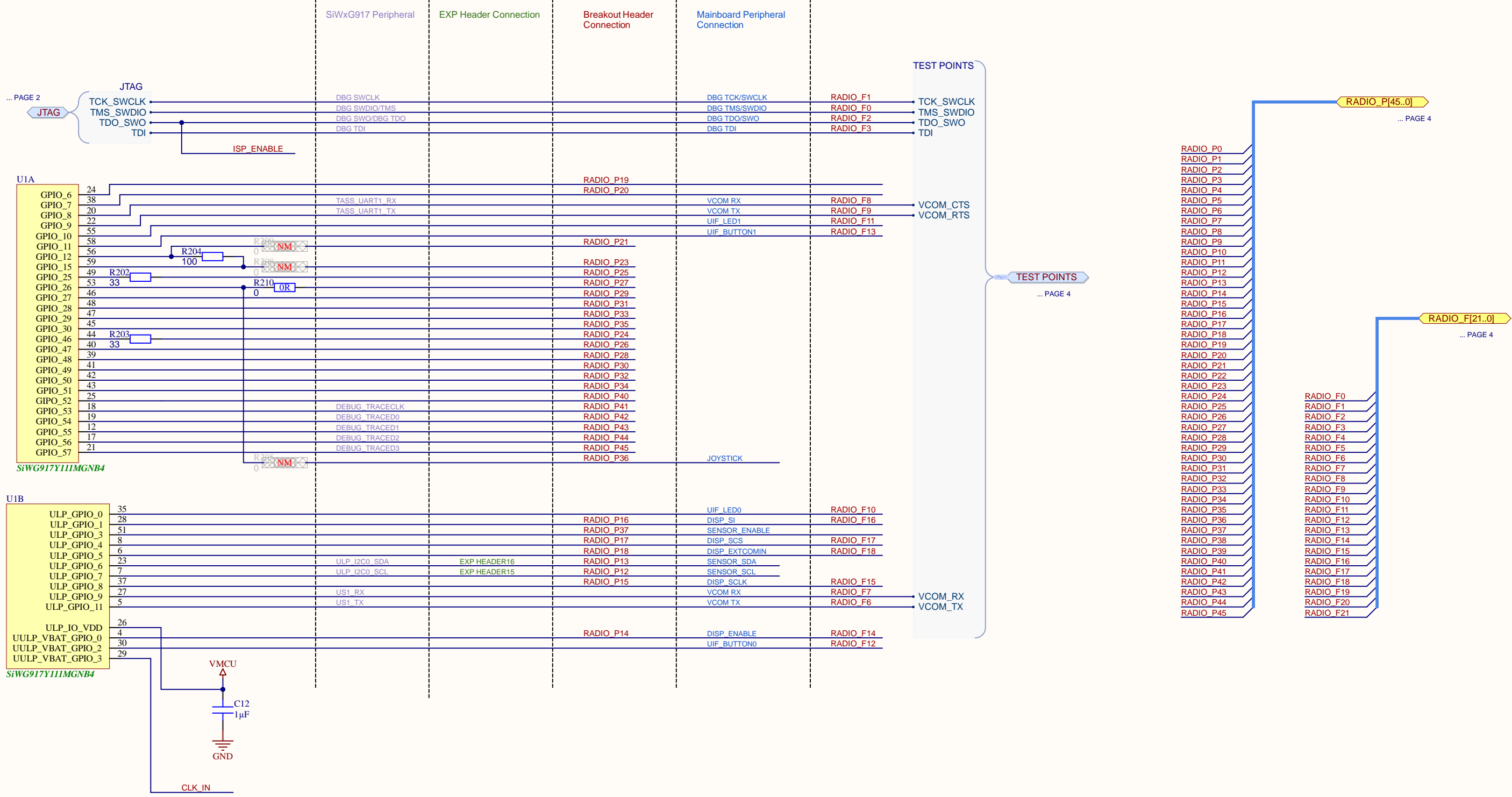


# Power & Decoupling

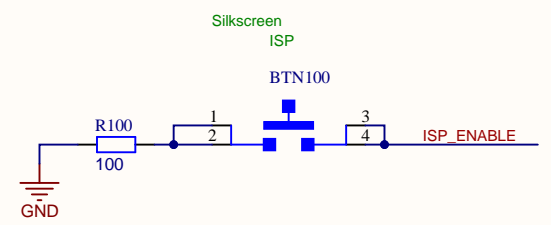


 <b>SILICON LABS</b>		Board name	
		<b>SiWG917Y Module Radio Board</b>	
Designed TAB	Approved JSH	Page Title RF and Power	
Size A3	Sheet Modified Date 2023. 11. 02.	Board number BRD4343A	Revision A04--
COPYRIGHT SILICON LABORATORIES INC. 2022 CONFIDENTIAL - SUBJECT TO TERMS OF USE			Sheet 2 of 4

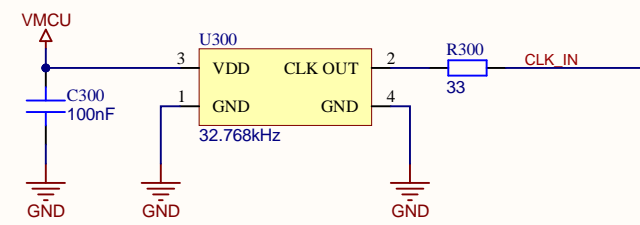
# SiWG917Y Pin Assignment



## ISP Mode Button

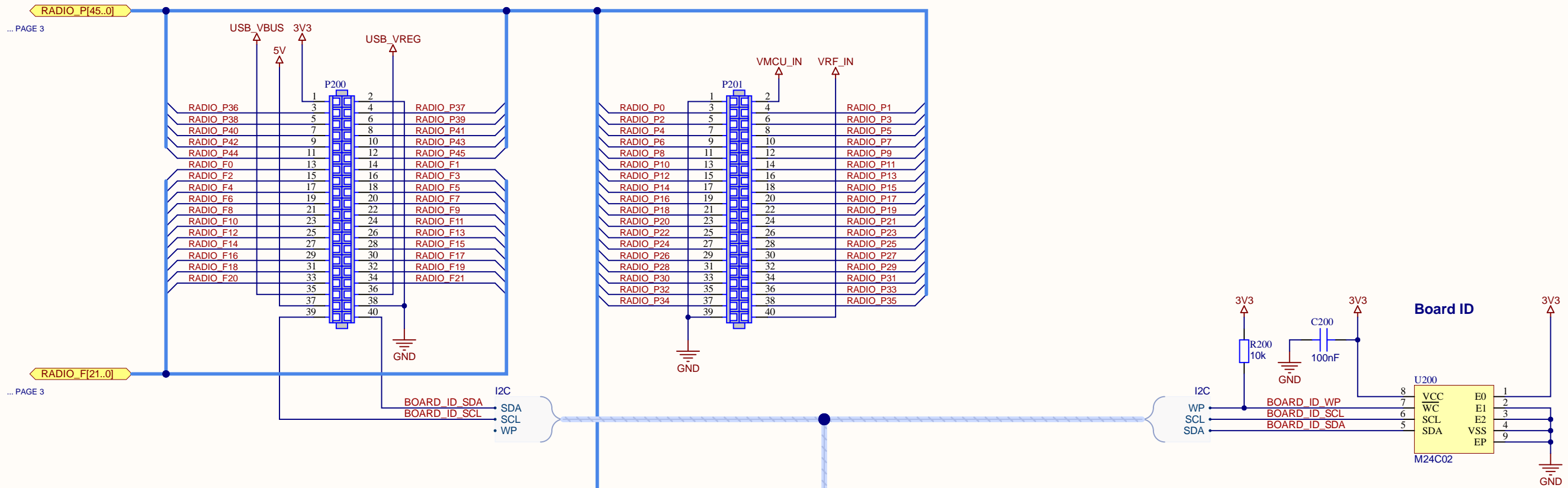


## 32 KHz Oscillator

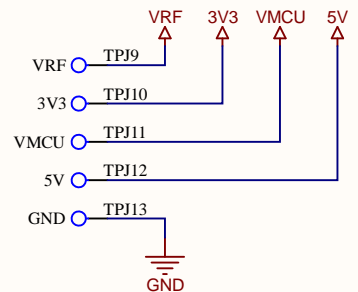
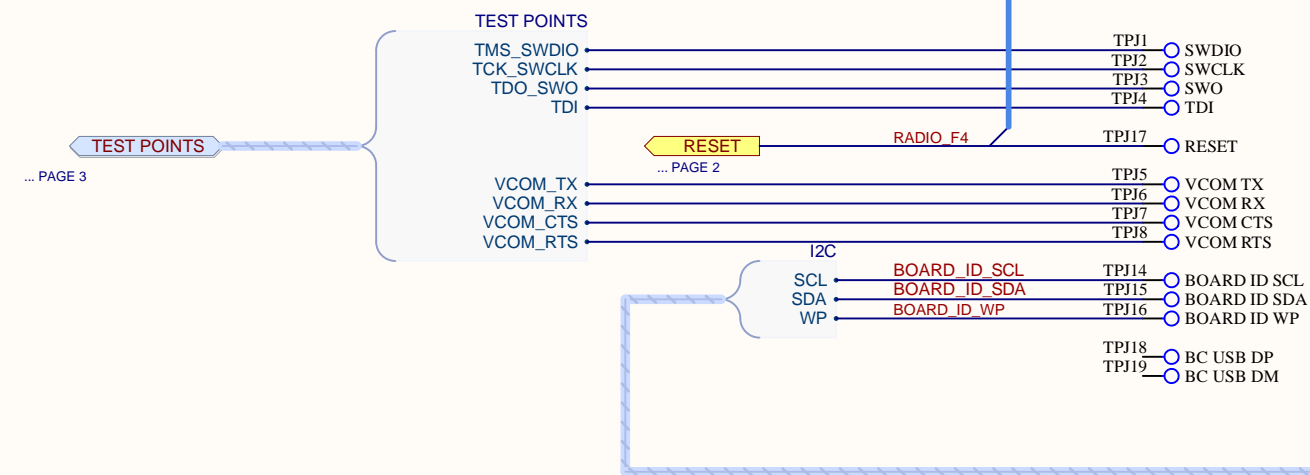


		Board name	
		<b>SiWG917Y Module Radio Board</b>	
Designed TAB	Approved JSH	Page Title IO Port Connections	
Size A3	Sheet Modified Date 2023. 08. 10.	Board number BRD4343A	Revision A04--
COPYRIGHT SILICON LABORATORIES INC. 2022 CONFIDENTIAL - SUBJECT TO TERMS OF USE			Sheet 3 of 4

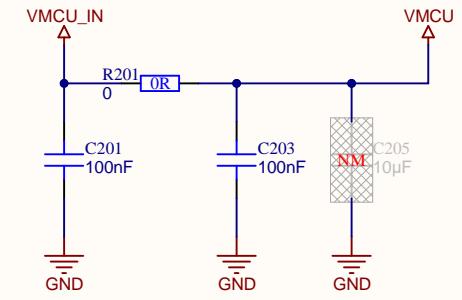
# Radio Board Socket



## Test Points



## Power Decoupling



		Board name	
		<b>SiWG917Y Module Radio Board</b>	
Designed TAB	Approved JSH	Page Title Connectors, Testpoints and Board ID	
Size A3	Sheet Modified Date 2023. 08. 10.	Board number BRD4343A	Revision A04--
COPYRIGHT SILICON LABORATORIES INC. 2022 CONFIDENTIAL - SUBJECT TO TERMS OF USE			Sheet 4 of 4