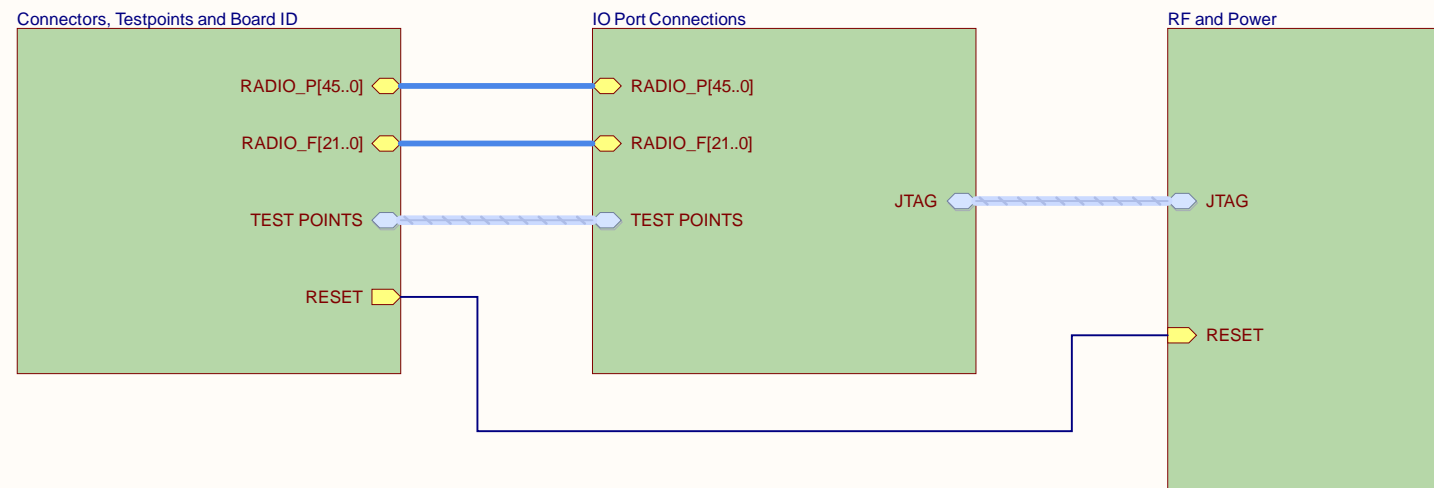



TABLE OF CONTENTS:

Page 1 Table of Contents and Revision History
 Page 2 RF and Power
 Page 3 IO Port Connections
 Page 4 Connectors, Testpoints and Board ID

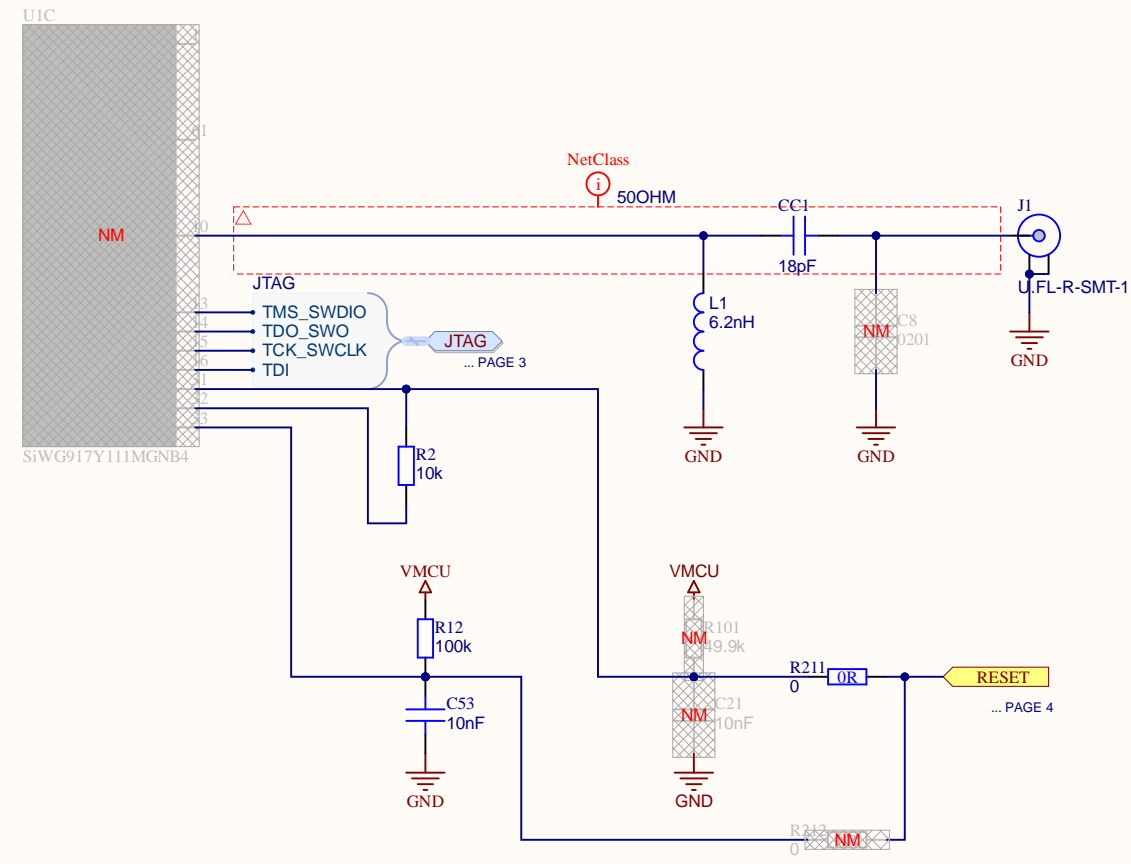
REVISION HISTORY:

A01	Initial Release
A02	Added option to connect DBG_RESET to RESET_N C21, R101 are not mounted
A03	Updated module revision
A04	Updated module revision
A05	Changed U1 to Not Mounted, added L1

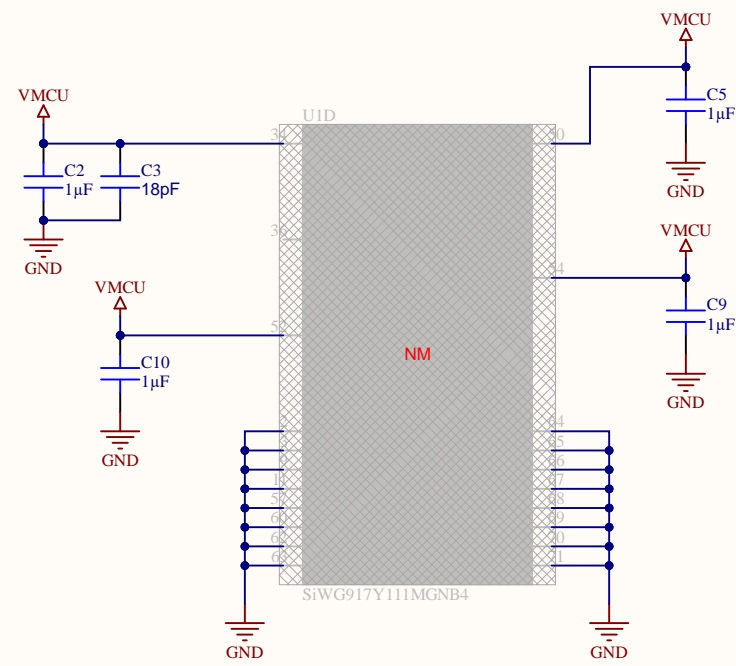



		Board name SiWG917Y Module Radio Board		
		Designed TAB	Approved JSH	Page Title Table of Contents and Revision History
Size A3	Sheet Modified Date 2024. 02. 21.	Board number BRD4343A		Revision A05--
COPYRIGHT SILICON LABORATORIES INC. 2022 CONFIDENTIAL - SUBJECT TO TERMS OF USE				Sheet 1 of 4

Radio Interface

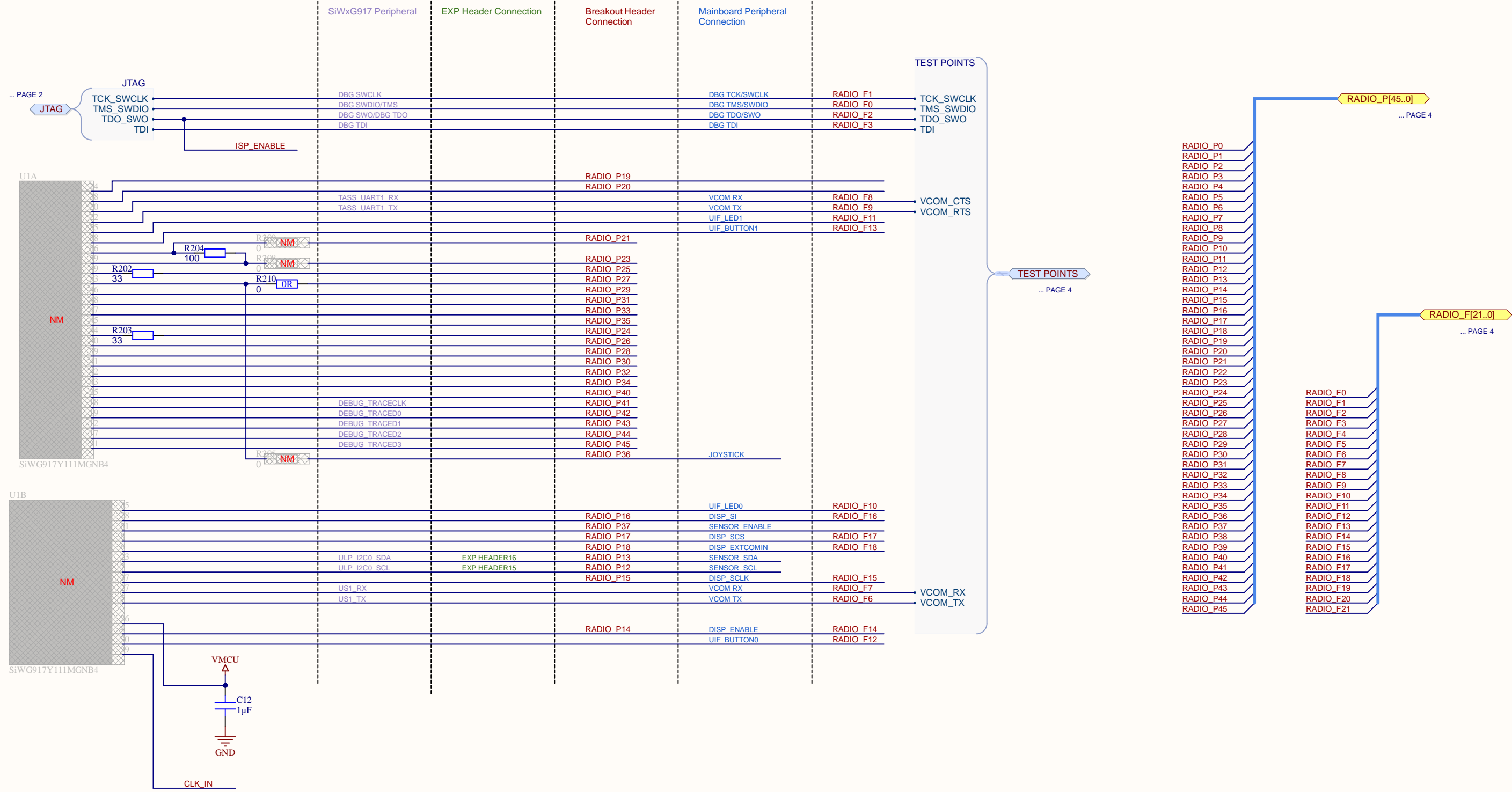


Power & Decoupling

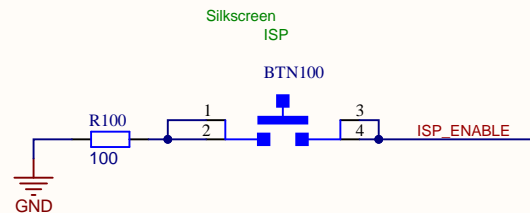


 SILICON LABS		Board name	
		SiWG917Y Module Radio Board	
Designed TAB	Approved JSH	Page Title RF and Power	
Size A3	Sheet Modified Date 2024. 02. 21.	Board number BRD4343A	Revision A05--
COPYRIGHT SILICON LABORATORIES INC. 2022 CONFIDENTIAL - SUBJECT TO TERMS OF USE			Sheet 2 of 4

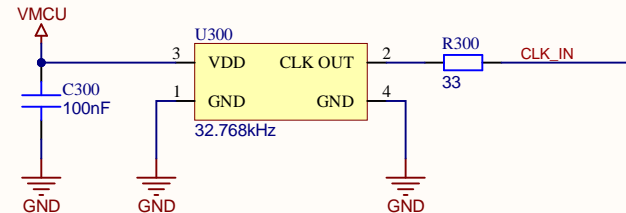
SiWG917Y Pin Assignment



ISP Mode Button

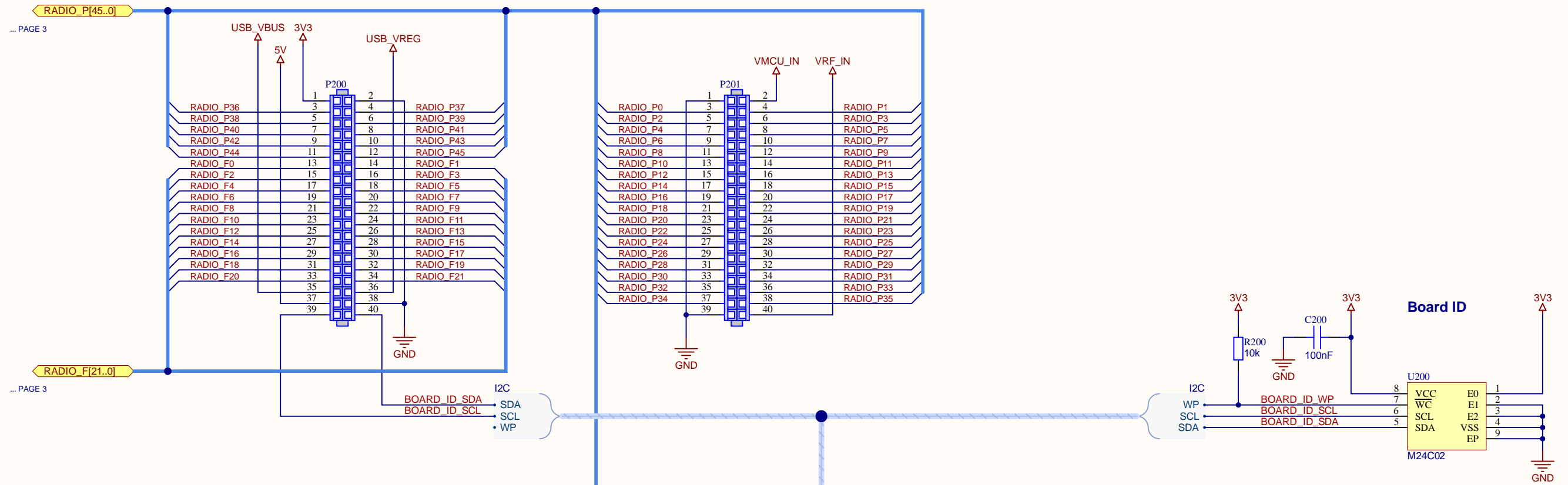


32 KHz Oscillator

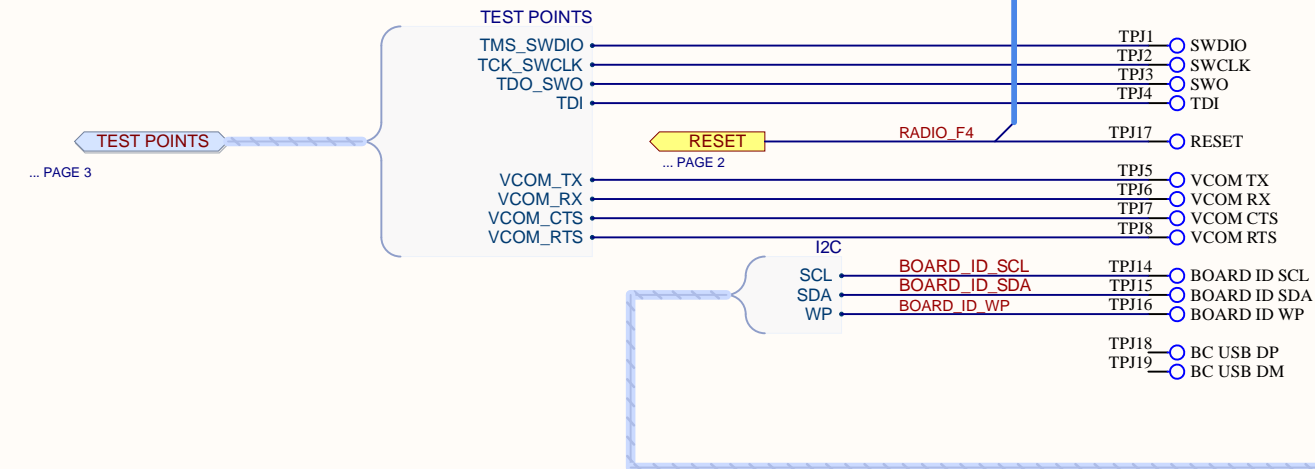


 SILICON LABS		Board name SiWG917Y Module Radio Board		
		Designed TAB	Approved JSH	Page Title IO Port Connections
Size A3	Sheet Modified Date 2024. 02. 21.	Board number BRD4343A		Revision A05--
COPYRIGHT SILICON LABORATORIES INC. 2022 CONFIDENTIAL - SUBJECT TO TERMS OF USE				Sheet 3 of 4

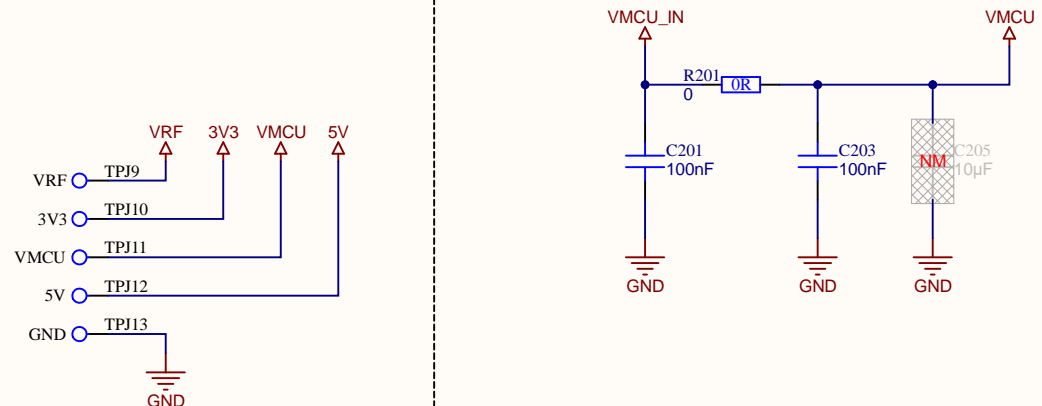
Radio Board Socket



Test Points



Power Decoupling



		Board name	
		SiWG917Y Module Radio Board	
Designed TAB	Approved JSH	Page Title Connectors, Testpoints and Board ID	
Size A3	Sheet Modified Date 2024. 02. 21.	Board number BRD4343A	Revision A05--
COPYRIGHT SILICON LABORATORIES INC. 2022 CONFIDENTIAL - SUBJECT TO TERMS OF USE			Sheet 4 of 4