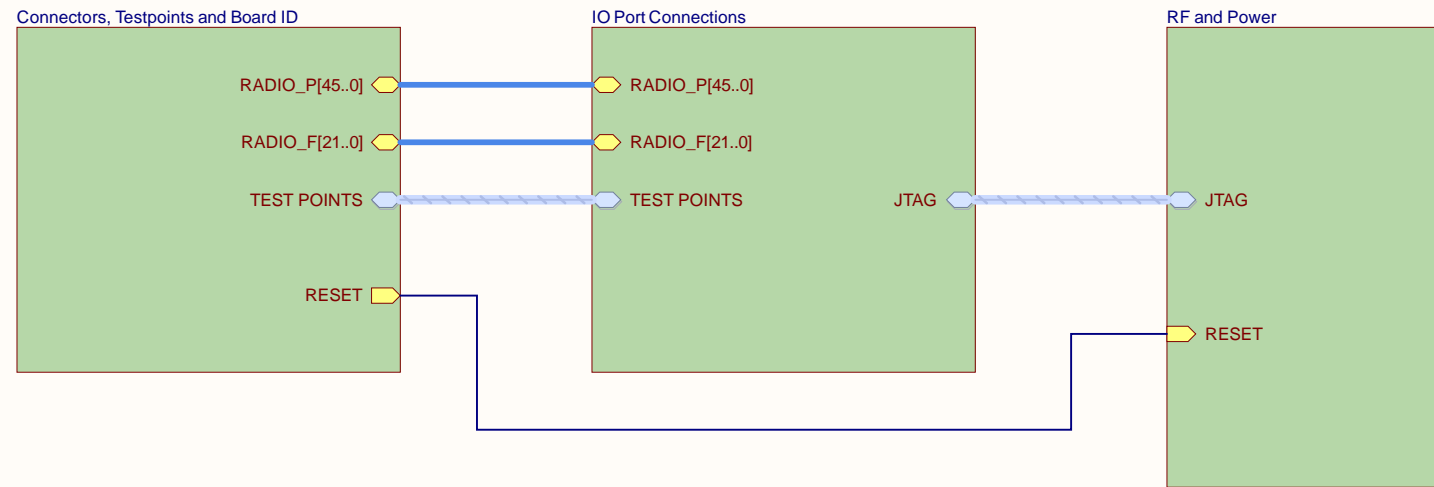



TABLE OF CONTENTS:

Page 1 Table of Contents and Revision History
 Page 2 RF and Power
 Page 3 IO Port Connections
 Page 4 Connectors, Testpoints and Board ID

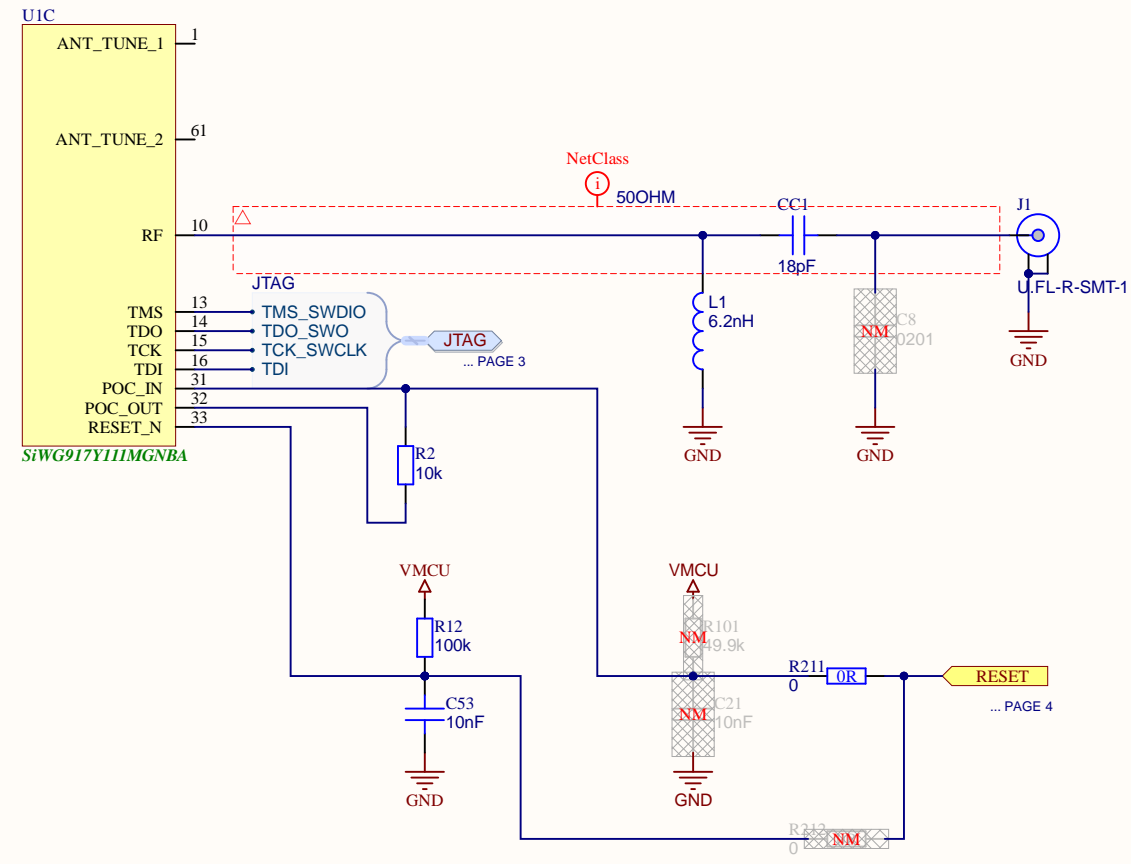
REVISION HISTORY:

A01	Initial Release
A02	Added option to connect DBG_RESET to RESET_N C21, R101 are not mounted
A03	Updated module revision
A04	Updated module revision
A05	Changed U1 to Not Mounted, added L1
A06	U1 module mounted, FLASH_IO_VDD connected to 1V8_LDO Updated P200, P201 OPN, updated module name marking on silkscreen
A07	Updated U1 OPN

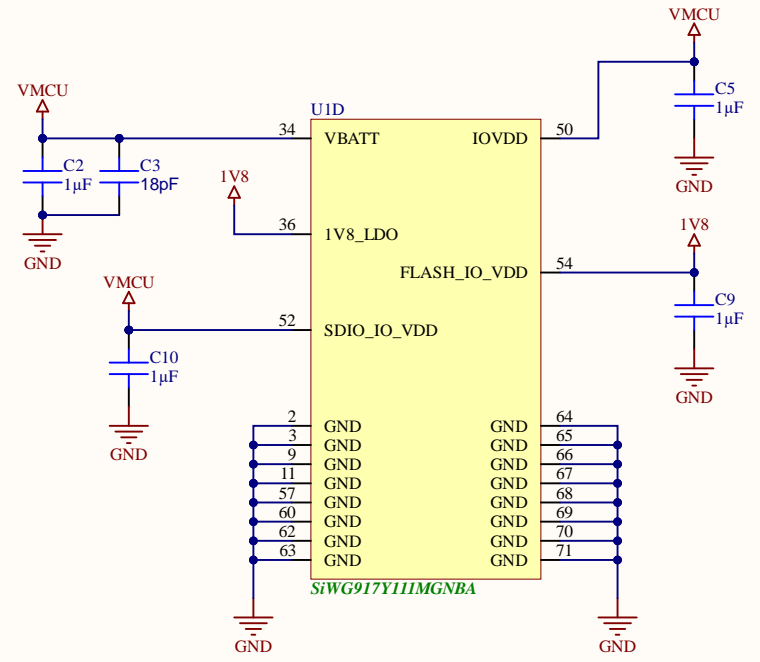



		Board name SiWx917Y Wi-Fi 6 & BT LE Radio Board 8 MB Flash, RF Pin
Designed TAB	Approved JSH	Page Title Table of Contents and Revision History
Size A3	Sheet Modified Date 2024. 04. 17.	Board number BRD4343A
COPYRIGHT SILICON LABORATORIES INC. 2022 CONFIDENTIAL - SUBJECT TO TERMS OF USE		Revision A07-- Sheet 1 of 4

Radio Interface

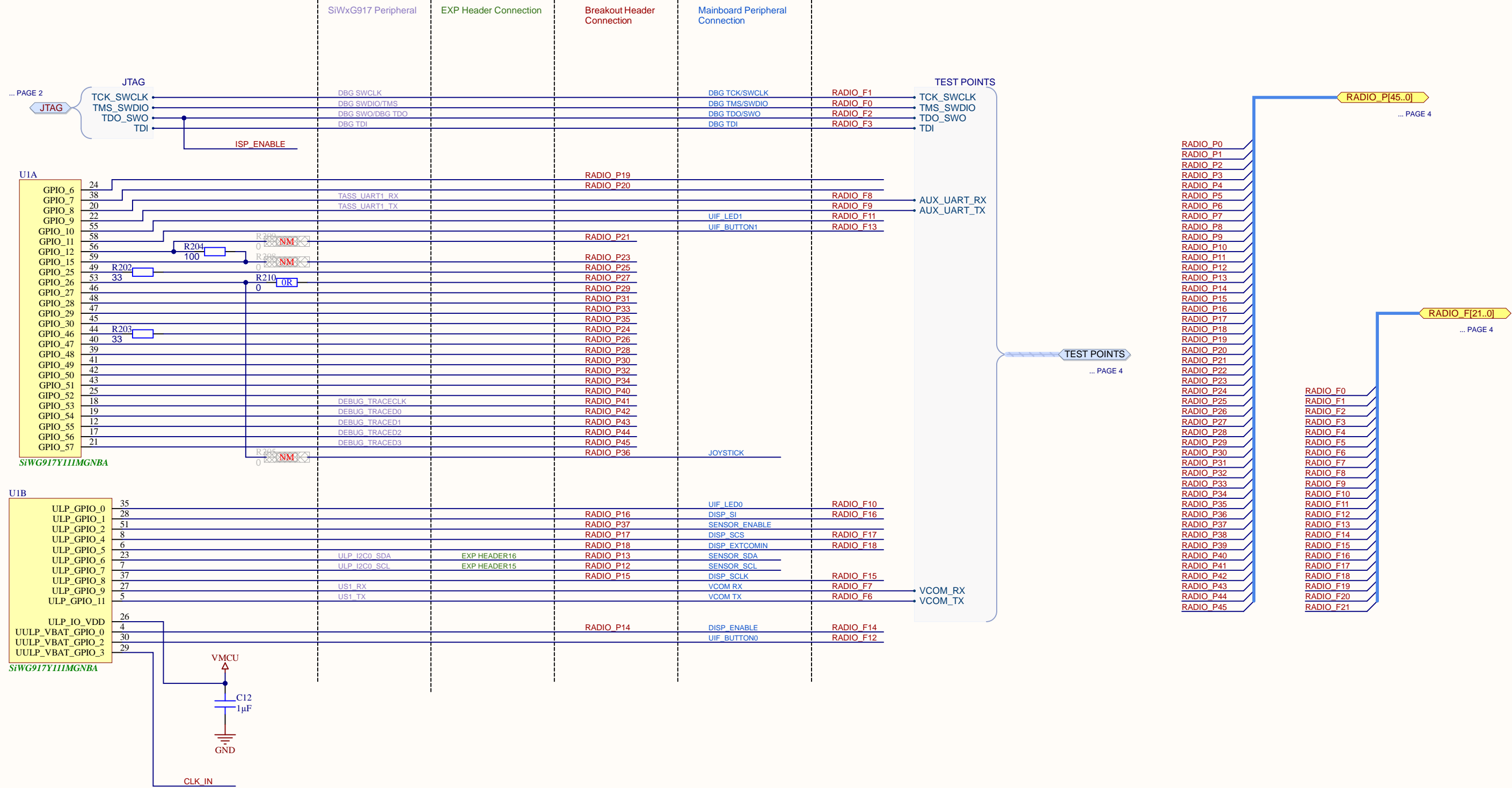


Power & Decoupling

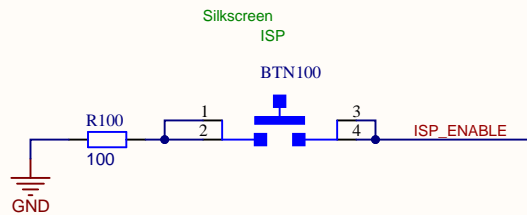


 SILICON LABS		Board name	
		SiWx917Y Wi-Fi 6 & BT LE Radio Board 8 MB Flash, RF Pin	
Designed TAB	Approved JSH	Page Title RF and Power	
Size A3	Sheet Modified Date 2024. 04. 15.	Board number BRD4343A	Revision A07--
COPYRIGHT SILICON LABORATORIES INC. 2022 CONFIDENTIAL - SUBJECT TO TERMS OF USE			Sheet 2 of 4

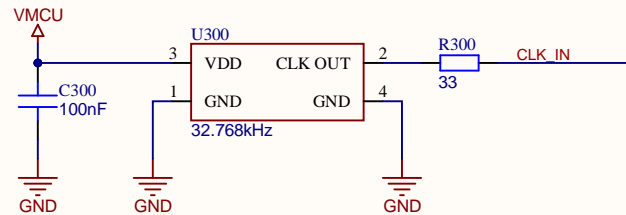
SiWG917Y Pin Assignment



ISP Mode Button

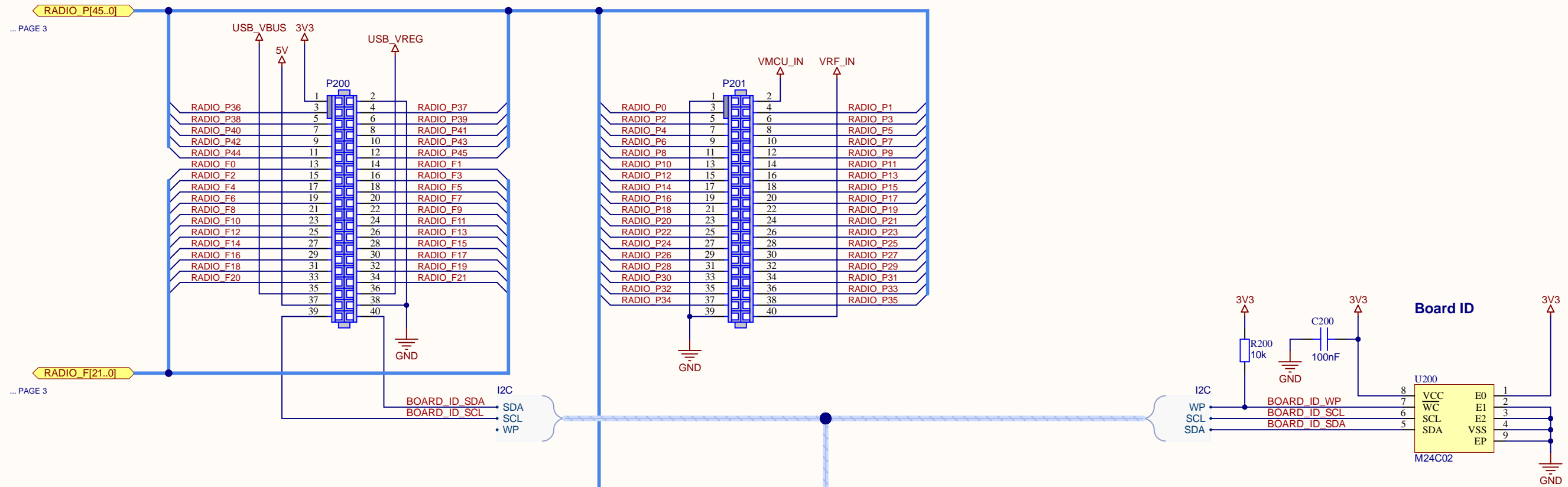


32 KHz Oscillator

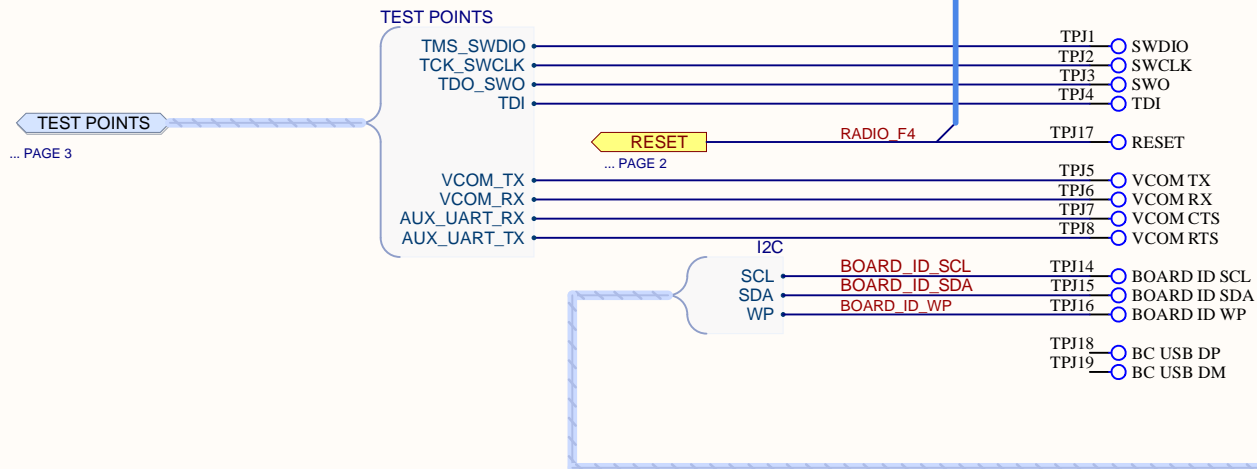


		Board name	
		SiWx917Y Wi-Fi 6 & BT LE Radio Board 8 MB Flash, RF Pin	
Designed TAB	Approved JSH	Page Title IO Port Connections	
Size A3	Sheet Modified Date 2024. 04. 16.	Board number BRD4343A	Revision A07--
COPYRIGHT SILICON LABORATORIES INC. 2022 CONFIDENTIAL - SUBJECT TO TERMS OF USE			Sheet 3 of 4

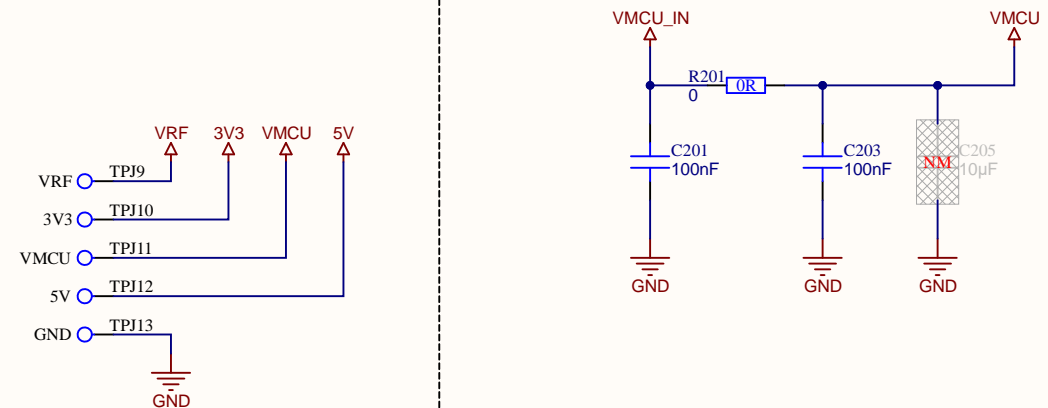
Radio Board Socket



Test Points



Power Decoupling



		Board name	
		SiWx917Y Wi-Fi 6 & BT LE Radio Board 8 MB Flash, RF Pin	
Designed TAB	Approved JSH	Page Title	
		Connectors, Testpoints and Board ID	
Size A3	Sheet Modified Date 2024. 04. 16.	Board number BRD4343A	Revision A07--
COPYRIGHT SILICON LABORATORIES INC. 2022 CONFIDENTIAL - SUBJECT TO TERMS OF USE			Sheet 4 of 4