



WF200 NCP Expansion Board

Board Function	Page
Title Page	1
Connectors/Interfaces	2
Pin Connections	3
Board ID	4
RF, Antenna & Power	5

LEGAL NOTICE:
 SILICON LABORATORIES INC. ("SILICON LABS") AND/OR ITS LICENSORS DO NOT WARRANT THE ACCURACY OR COMPLETENESS OF THIS SCHEMATIC OR ANY INFORMATION CONTAINED WITHIN THIS SCHEMATIC. IT IS PROVIDED "AS-IS" FOR REFERENCE ONLY. SILICON LABS DOES NOT WARRANT THAT THIS DESIGN WILL MEET THE SPECIFICATIONS, BE SUITABLE FOR YOUR APPLICATION OR FIT FOR ANY PARTICULAR PURPOSE, OR WILL OPERATE IN YOUR IMPLEMENTATION. SILICON LABS AND ITS LICENSORS DO NOT WARRANT THAT THE DESIGN IMPLIED IN THIS SCHEMATIC IS PRODUCTION-WORTHY. YOU SHOULD COMPLETELY VALIDATE AND TEST YOUR DESIGN IMPLEMENTATION TO CONFIRM SYSTEM FUNCTIONALITY FOR YOUR APPLICATION.



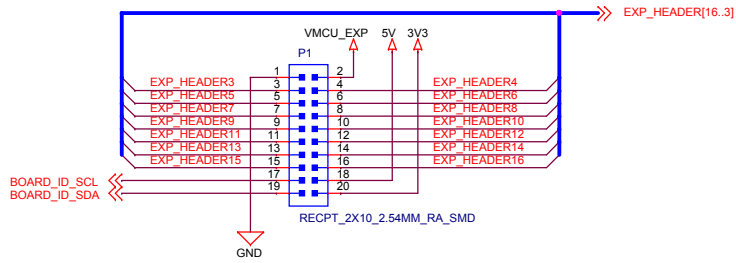
Revision History

Rev. Description

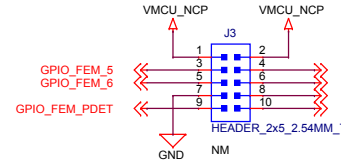
A00 Initial version for manufacturing

Schematic Title		WF200 NCP EXP Board	
Page Title		Title Page	
Designed: HEL	Approved: DDB	Document number	Revision A00
Size A3	BOM Doc No: <Cage Code>	BRD8022A	Sheet 1 of 5
Design Created Date: Monday, March 06, 2017	Sheet Created Date Monday, March 06, 2017	Sheet Modified Date Wednesday, October 18, 2017	

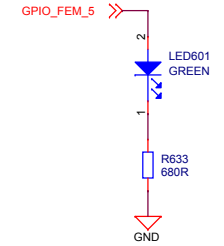
EXP Header



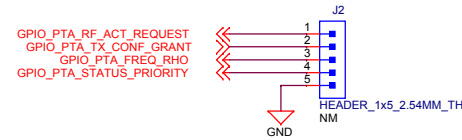
External FEM Connector



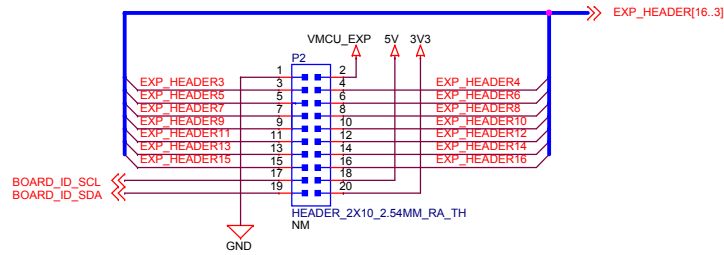
TX/RX Activity Indicator



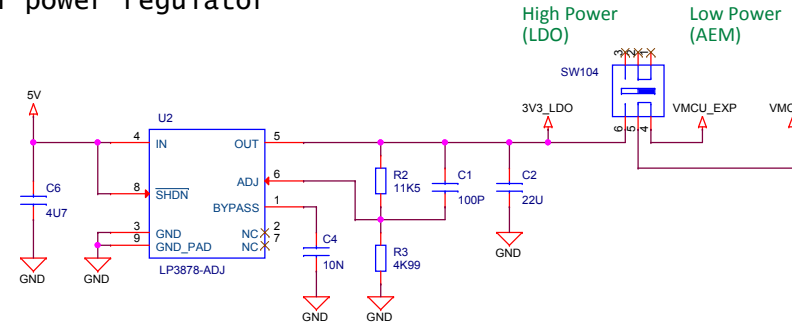
PTA Connector



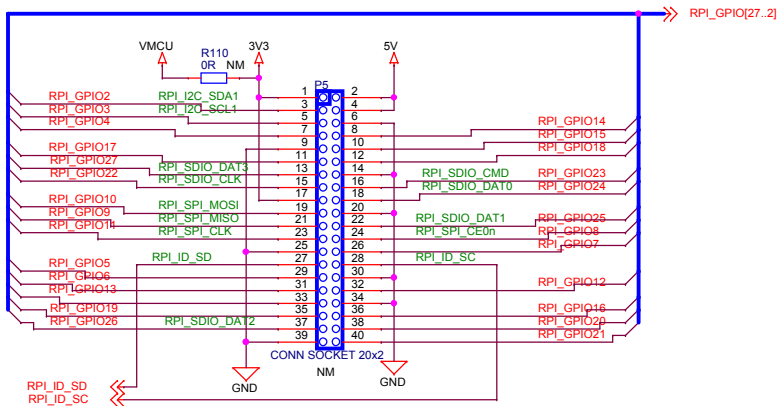
Pass-through EXP Header (Not Mounted)



External power regulator



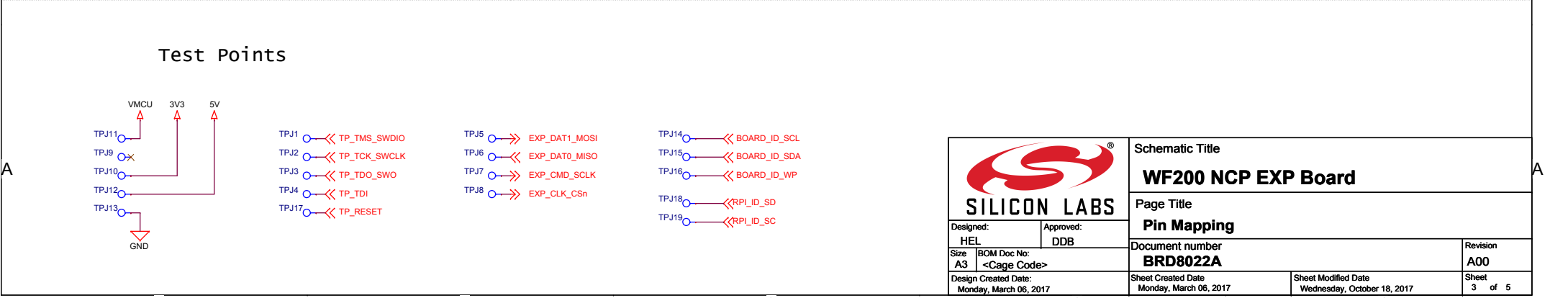
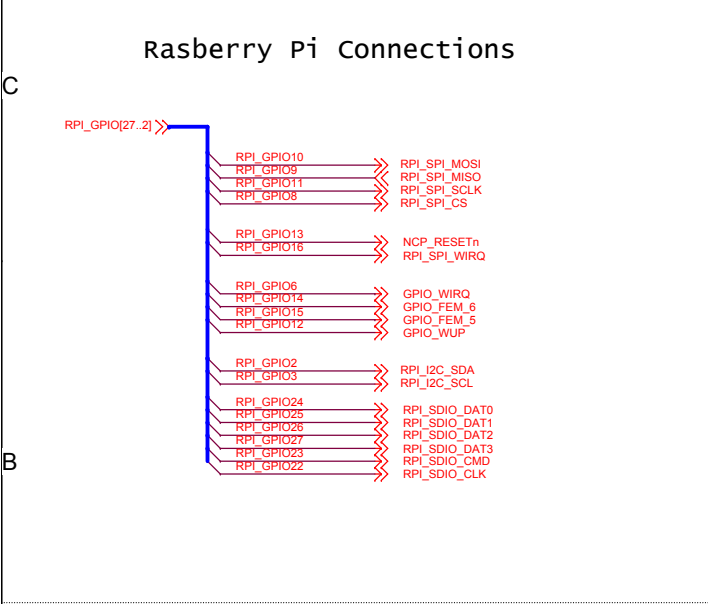
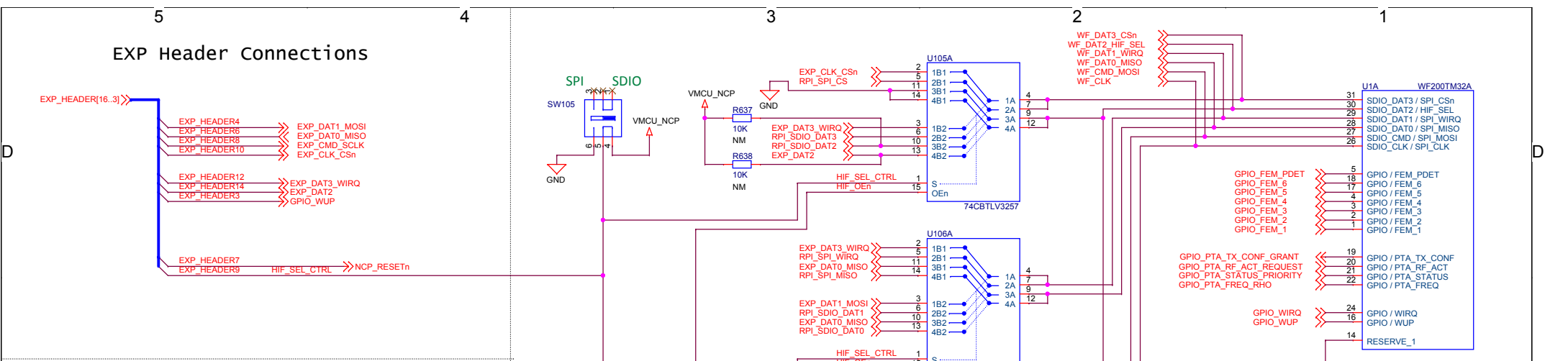
Raspberry Pi Connector



Mechanical (MISC)

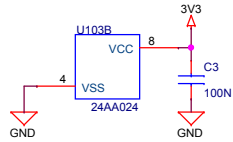
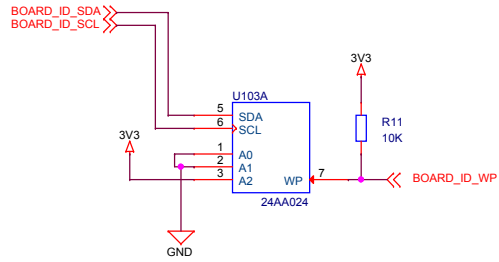


		Schematic Title	
		WF200 NCP EXP Board	
Designed: HEL Size: A3 Design Created Date: Monday, March 06, 2017		Page Title	
		Connectors	
Approved: BOM Doc No: <Cage Code> Sheet Created Date: Monday, March 06, 2017		Document number	
		BRD8022A	
Approved: Sheet Modified Date: Wednesday, October 18, 2017		Revision	
		A00	
Sheet Created Date: Monday, March 06, 2017		Sheet Modified Date: Wednesday, October 18, 2017	
Design Created Date: Monday, March 06, 2017		Sheet Created Date: Monday, March 06, 2017	
Design Created Date: Monday, March 06, 2017		Sheet Created Date: Monday, March 06, 2017	
Design Created Date: Monday, March 06, 2017		Sheet Created Date: Monday, March 06, 2017	

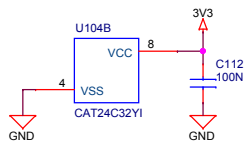
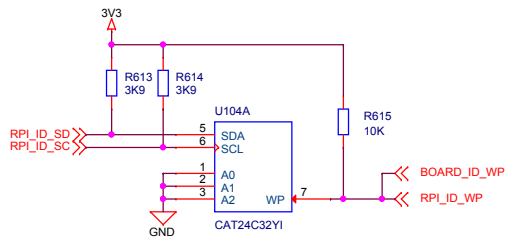



		Schematic Title	
		WF200 NCP EXP Board	
Designed: HEL Approved: DDB		Page Title	
		Pin Mapping	
Size: A3	BOM Doc No: <Cage Code>	Document number	Revision
Design Created Date: Monday, March 06, 2017		BRD8022A	A00
	Sheet Created Date: Monday, March 06, 2017	Sheet Modified Date: Wednesday, October 18, 2017	Sheet 3 of 5

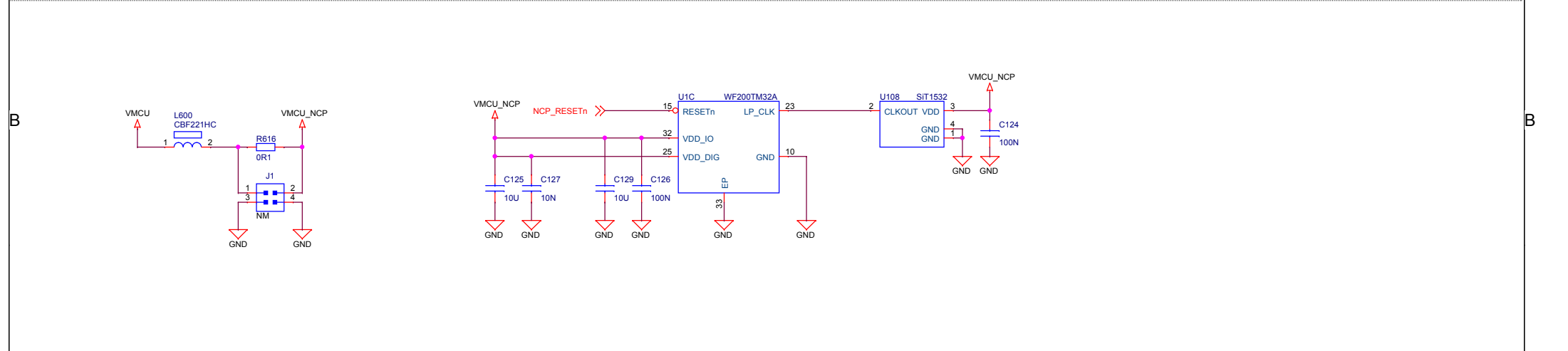
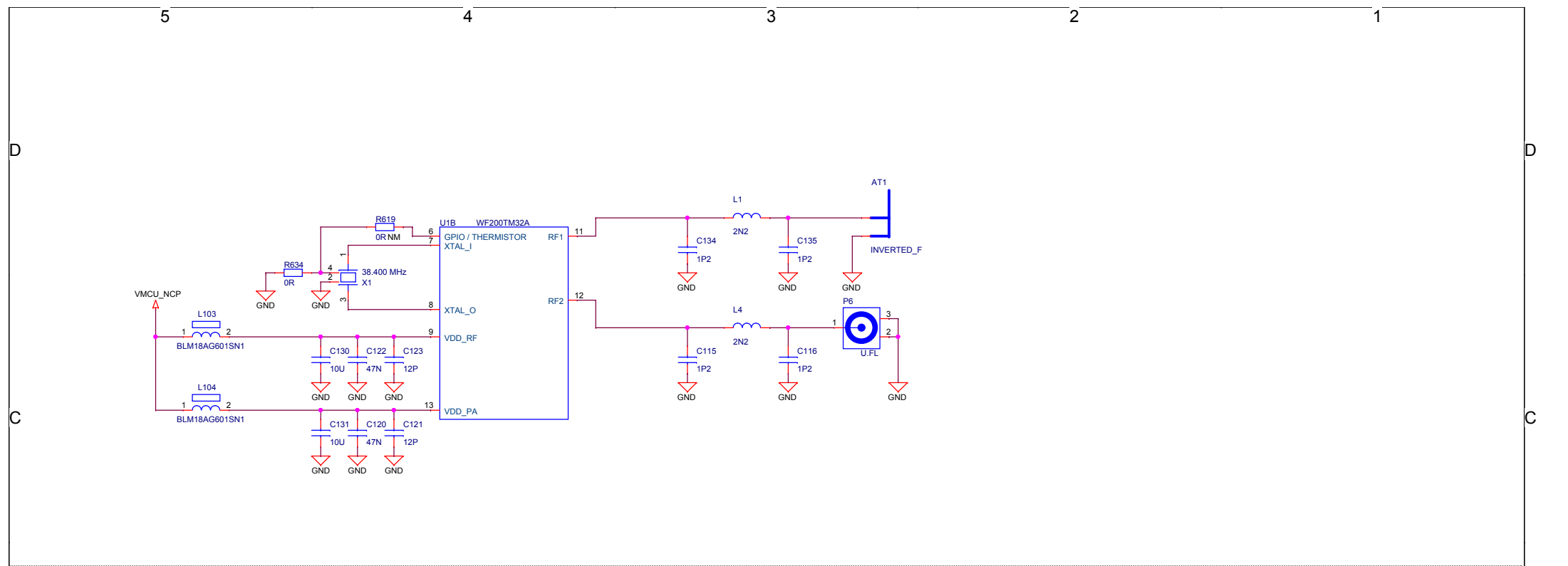
Board ID EEPROM




Raspberry Pi HAT EEPROM



 SILICON LABS		Schematic Title	
		WF200 NCP EXP Board	
Designed: HEL Approved: DDB		Page Title	
		Miscellaneous	
Size A3	BOM Doc No: <Cage Code>	Document number	Revision
Design Created Date: Monday, March 06, 2017		Document number BRD8022A	A00
		Sheet Created Date Monday, March 06, 2017	Sheet Modified Date Wednesday, October 18, 2017
		Sheet 4	of 5



 SILICON LABS		Schematic Title	
		WF200 NCP EXP Board	
Designed: HEL Size: A3 Design Created Date: Monday, March 06, 2017		Page Title	
		RF, Antenna & Power	
Approved: DDB BOM Doc No: <Cage Code>		Document number	
		BRD8022A	
Revision		A00	
Sheet Created Date		Wednesday, September 20, 2017	Sheet Modified Date
Monday, March 06, 2017		Wednesday, September 20, 2017	Wednesday, October 18, 2017
Sheet 5 of 5			