



WF200 NCP Expansion Board

Board Function	Page
Title Page	1
Connectors/Interfaces	2
Pin Connections	3
Board ID	4
RF, Antenna & Power	5

LEGAL NOTICE:
 SILICON LABORATORIES INC. ("SILICON LABS") AND/OR ITS LICENSORS DO NOT WARRANT THE ACCURACY OR COMPLETENESS OF THIS SCHEMATIC OR ANY INFORMATION CONTAINED WITHIN THIS SCHEMATIC. IT IS PROVIDED "AS-IS" FOR REFERENCE ONLY. SILICON LABS DOES NOT WARRANT THAT THIS DESIGN WILL MEET THE SPECIFICATIONS, BE SUITABLE FOR YOUR APPLICATION OR FIT FOR ANY PARTICULAR PURPOSE, OR WILL OPERATE IN YOUR IMPLEMENTATION. SILICON LABS AND ITS LICENSORS DO NOT WARRANT THAT THE DESIGN IMPLIED IN THIS SCHEMATIC IS PRODUCTION-WORTHY. YOU SHOULD COMPLETELY VALIDATE AND TEST YOUR DESIGN IMPLEMENTATION TO CONFIRM SYSTEM FUNCTIONALITY FOR YOUR APPLICATION.

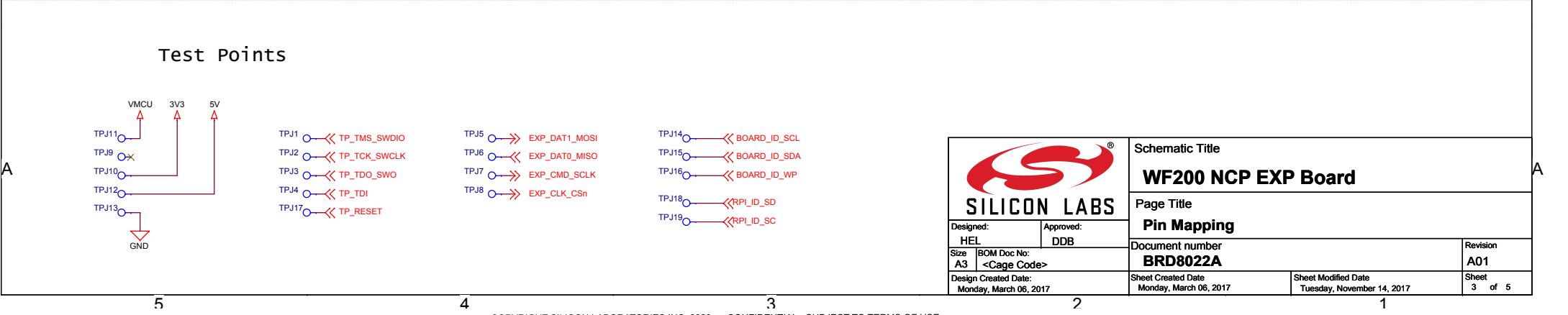
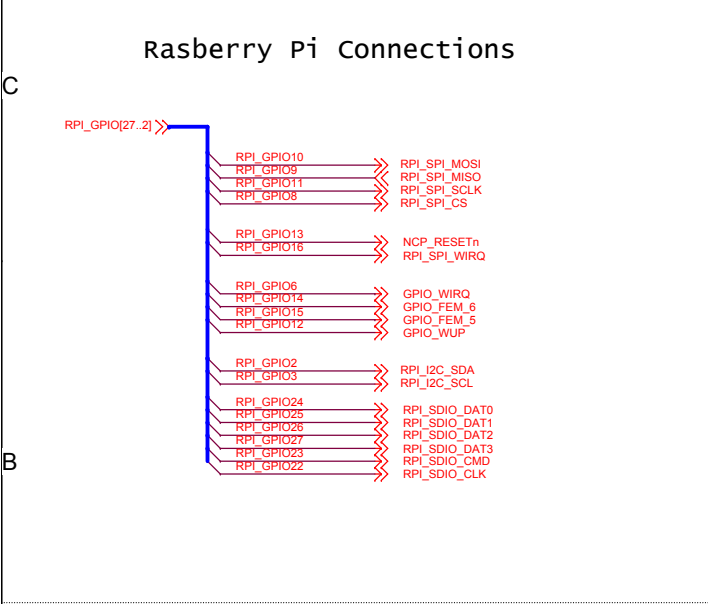
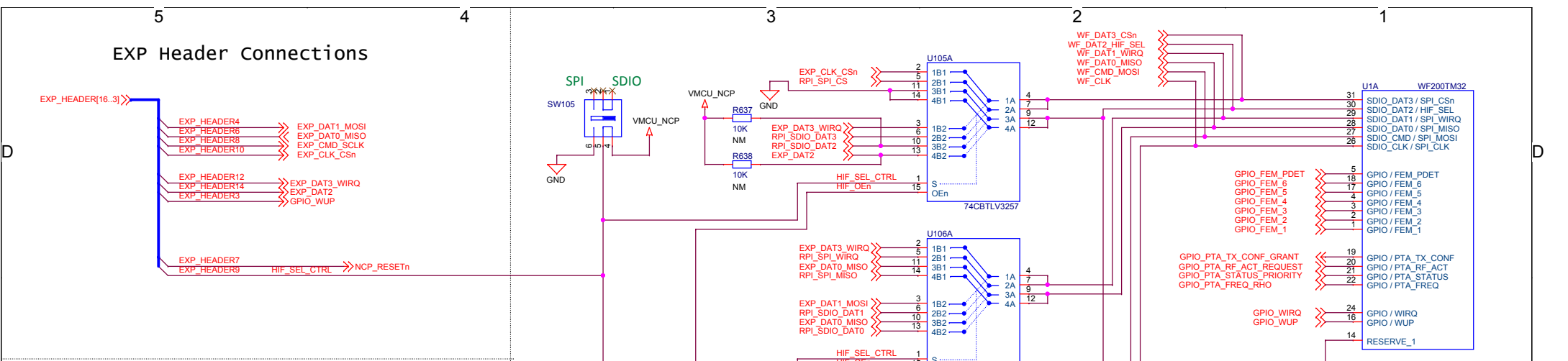


Revision History

Rev. Description

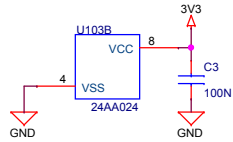
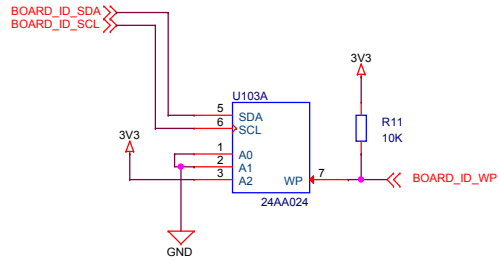
A00 Initial version for manufacturing

		Schematic Title	
SILICON LABS		WF200 NCP EXP Board	
Designed: HEL		Page Title	
Approved: DDB		Title Page	
Size: A3	BOM Doc No: <Cage Code>	Document number	Revision
Design Created Date: Monday, March 06, 2017		BRD8022A	A01
	Sheet Created Date: Monday, March 06, 2017	Sheet Modified Date: Tuesday, November 14, 2017	Sheet 1 of 5

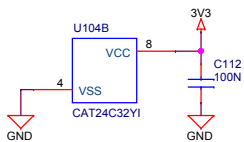
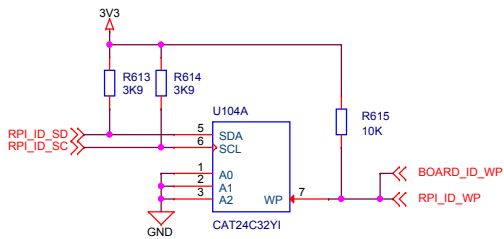



		Schematic Title	
		WF200 NCP EXP Board	
Designed: HEL Approved: DDB		Page Title	
		Pin Mapping	
Size: A3	BOM Doc No: <Cage Code>	Document number	Revision
Design Created Date: Monday, March 06, 2017		BRD8022A	A01
Sheet Created Date: Monday, March 06, 2017		Sheet Modified Date: Tuesday, November 14, 2017	Sheet 3 of 5

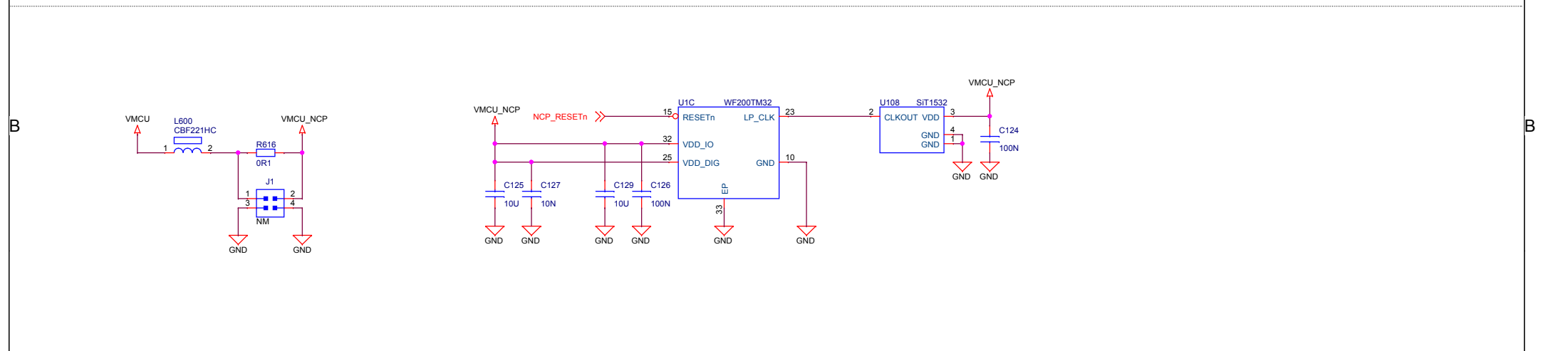
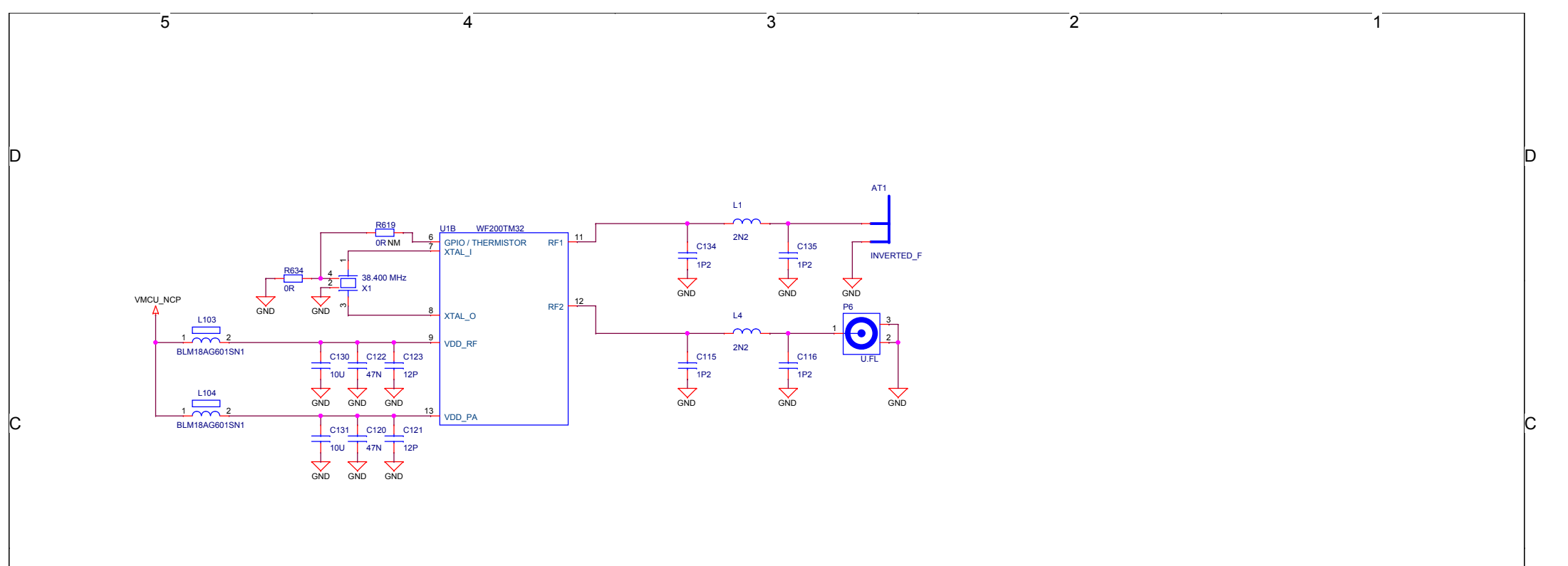
Board ID EEPROM




Raspberry Pi HAT EEPROM



 SILICON LABS		Schematic Title	
		WF200 NCP EXP Board	
Designed: HEL Approved: DDB		Page Title	
		Miscellaneous	
Size: A3	BOM Doc No: <Cage Code>	Document number	Revision
Design Created Date: Monday, March 06, 2017		BRD8022A	A01
		Sheet Created Date: Monday, March 06, 2017	Sheet Modified Date: Tuesday, November 14, 2017
			Sheet 4 of 5



 SILICON LABS		Schematic Title	
		WF200 NCP EXP Board	
Designed: HEL Approved: DDB		Page Title	
		RF, Antenna & Power	
Size A3	BOM Doc No: <Cage Code>	Document number BRD8022A	Revision A01
Design Created Date: Monday, March 06, 2017	Sheet Created Date Wednesday, September 20, 2017	Sheet Modified Date Tuesday, November 14, 2017	Sheet 5 of 5