



WF200 NCP Expansion Board

Board Function	Page
Title Page	1
Connectors/Interfaces	2
Pin Connections	3
Board ID	4
RF, Antenna & Power	5

LEGAL NOTICE:
 SILICON LABORATORIES INC. ("SILICON LABS") AND/OR ITS LICENSORS DO NOT WARRANT THE ACCURACY OR COMPLETENESS OF THIS SCHEMATIC OR ANY INFORMATION CONTAINED WITHIN THIS SCHEMATIC. IT IS PROVIDED "AS-IS" FOR REFERENCE ONLY. SILICON LABS DOES NOT WARRANT THAT THIS DESIGN WILL MEET THE SPECIFICATIONS, BE SUITABLE FOR YOUR APPLICATION OR FIT FOR ANY PARTICULAR PURPOSE, OR WILL OPERATE IN YOUR IMPLEMENTATION. SILICON LABS AND ITS LICENSORS DO NOT WARRANT THAT THE DESIGN IMPLIED IN THIS SCHEMATIC IS PRODUCTION-WORTHY. YOU SHOULD COMPLETELY VALIDATE AND TEST YOUR DESIGN IMPLEMENTATION TO CONFIRM SYSTEM FUNCTIONALITY FOR YOUR APPLICATION.



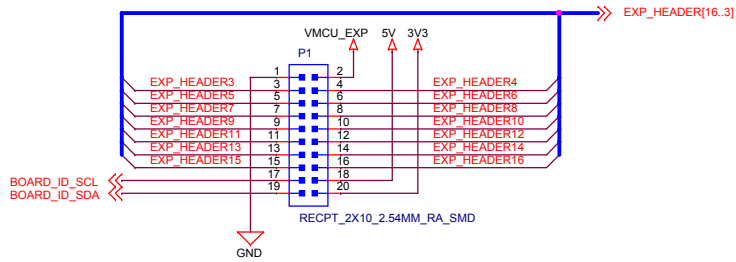
Revision History

Rev. Description

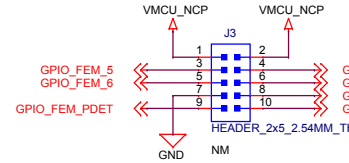
A00 Initial version for manufacturing

Schematic Title		WF200 NCP EXP Board	
Page Title		Title Page	
Designed: HEL	Approved: DDB	Document number	Revision
Size: A3	BOM Doc No: <Cage Code>	BRD8022A	A02
Design Created Date: Monday, March 06, 2017	Sheet Created Date Monday, March 06, 2017	Sheet Modified Date Tuesday, December 19, 2017	Sheet 1 of 5

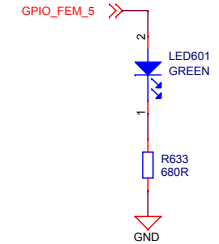
EXP Header



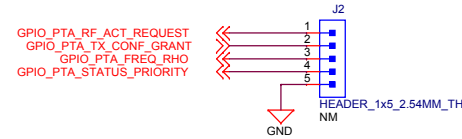
External FEM Connector



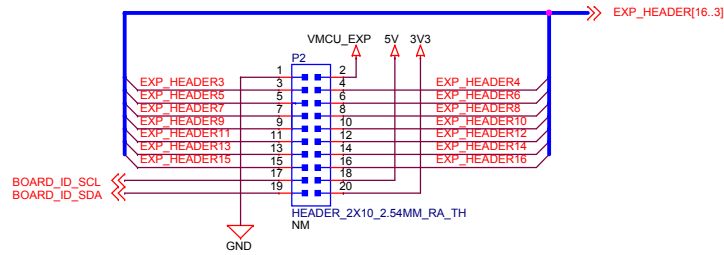
TX/RX Activity Indicator



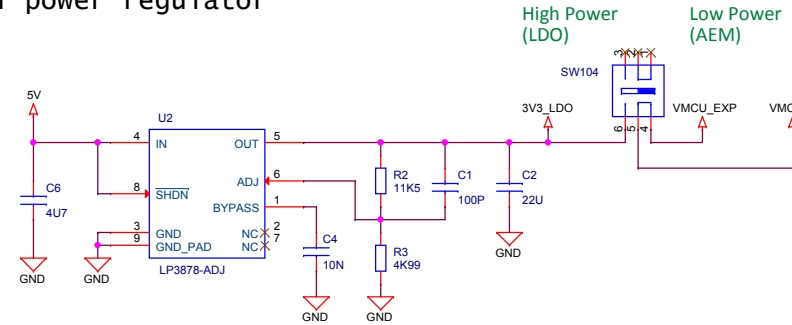
PTA Connector



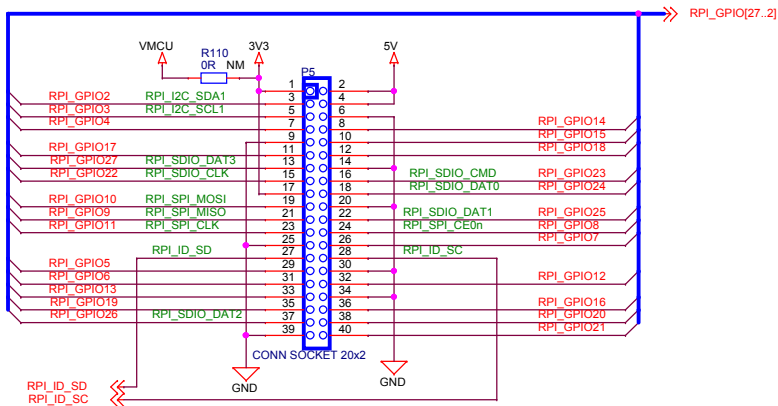
Pass-through EXP Header (Not Mounted)



External power regulator



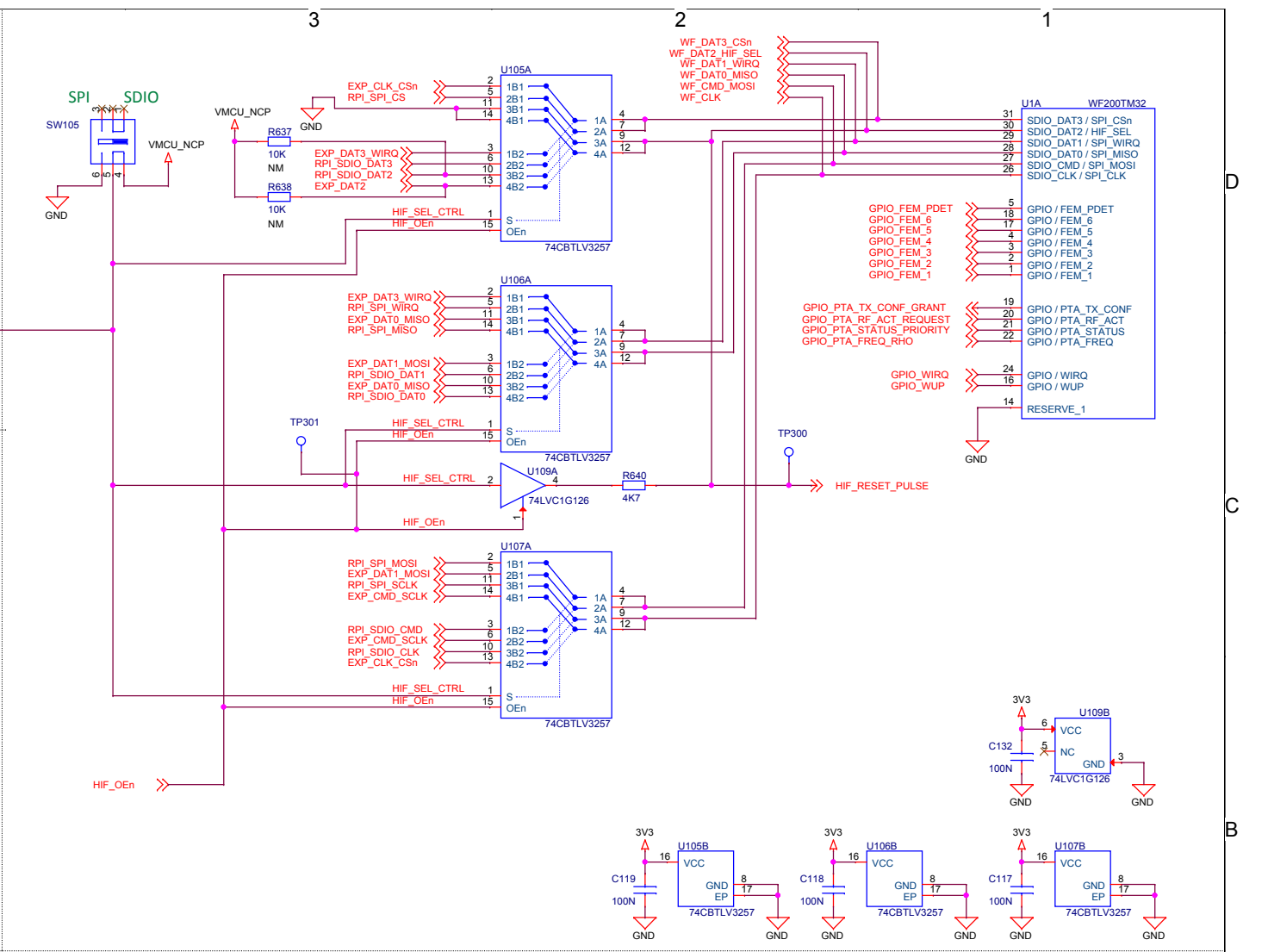
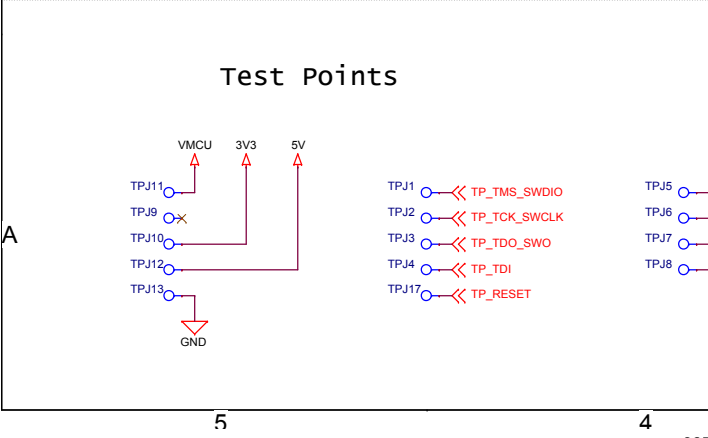
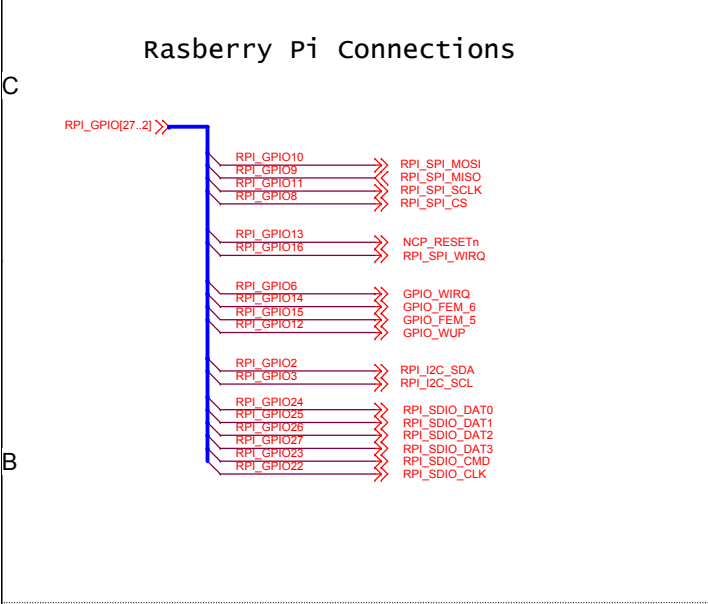
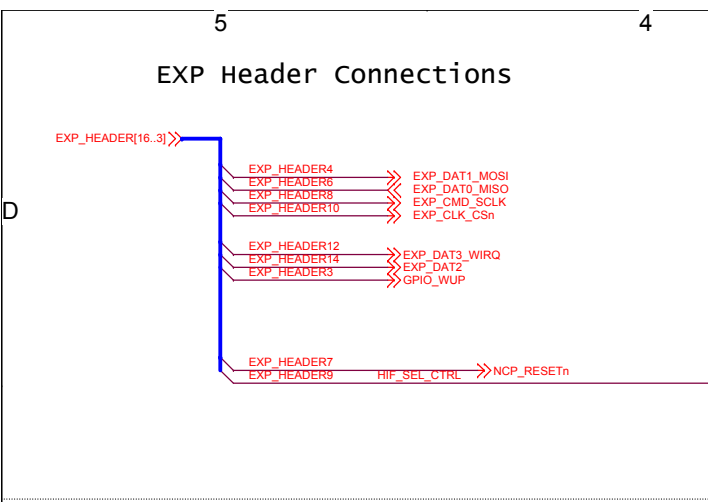
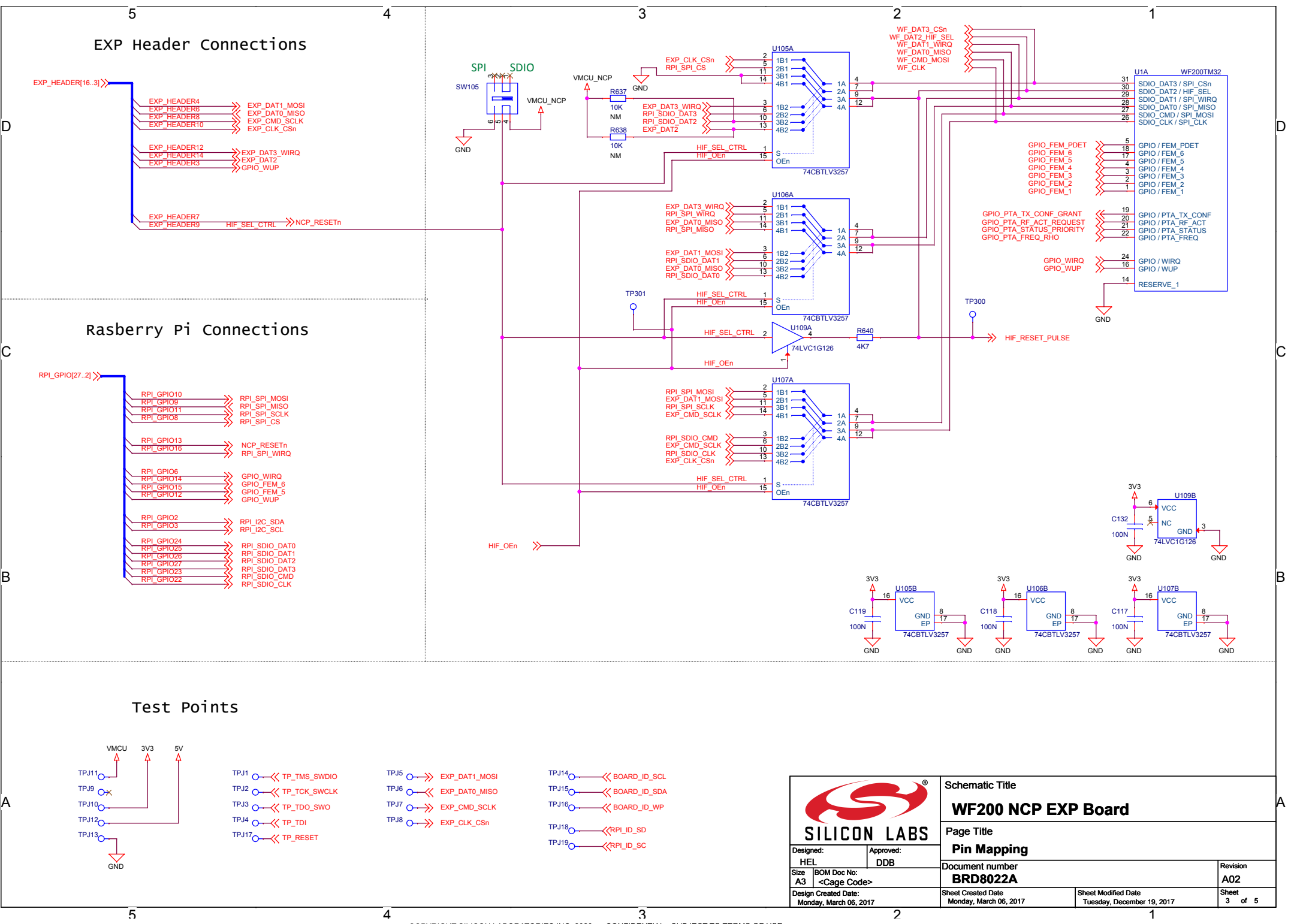
Raspberry Pi Connector



Mechanical (MISC)

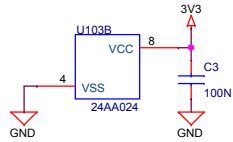
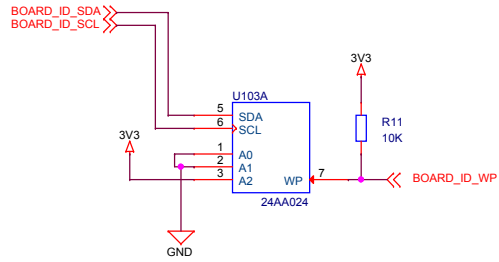


		Schematic Title	
		WF200 NCP EXP Board	
Designed: HEL Approved:		Page Title	
		Connectors	
Size A3	BOM Doc No: <Cage Code>	Document number BRD8022A	Revision A02
Design Created Date: Monday, March 06, 2017	Sheet Created Date Monday, March 06, 2017	Sheet Modified Date Tuesday, December 19, 2017	Sheet 2 of 5

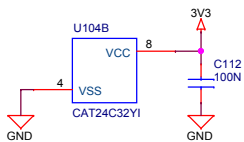
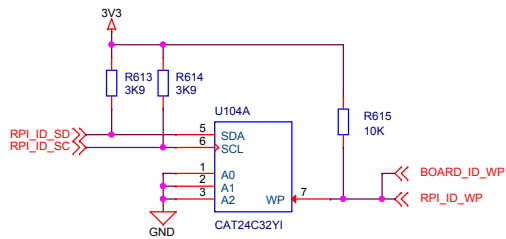



		Schematic Title	
		WF200 NCP EXP Board	
Designed: HEL Approved: DDB		Page Title	
		Pin Mapping	
Size: A3	BOM Doc No: <Cage Code>	Document number	Revision
Design Created Date: Monday, March 06, 2017		BRD8022A	A02
	Sheet Created Date: Monday, March 06, 2017	Sheet Modified Date: Tuesday, December 19, 2017	Sheet 3 of 5

Board ID EEPROM

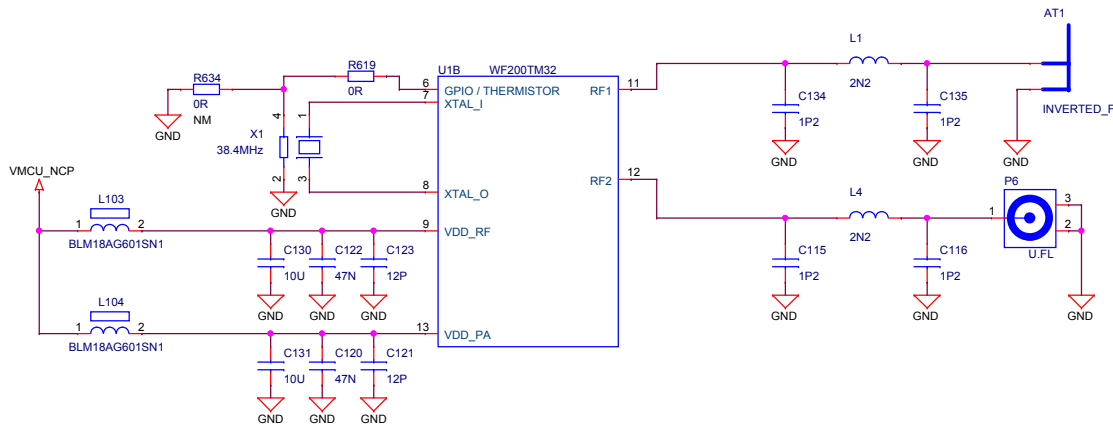


Raspberry Pi HAT EEPROM

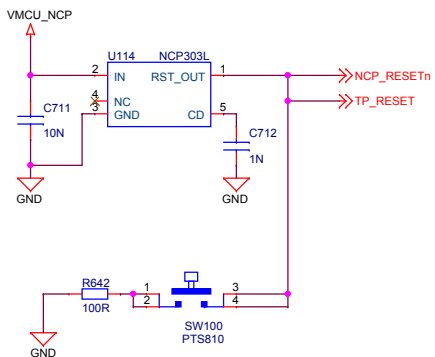


 SILICON LABS		Schematic Title	
		WF200 NCP EXP Board	
Designed: HEL Approved: DDB		Page Title	
		Miscellaneous	
Size: A3	BOM Doc No: <Cage Code>	Document number	Revision
Design Created Date: Monday, March 06, 2017	Sheet Created Date: Monday, March 06, 2017	Sheet Modified Date: Tuesday, December 19, 2017	Sheet 4 of 5
		Document number	BRD8022A

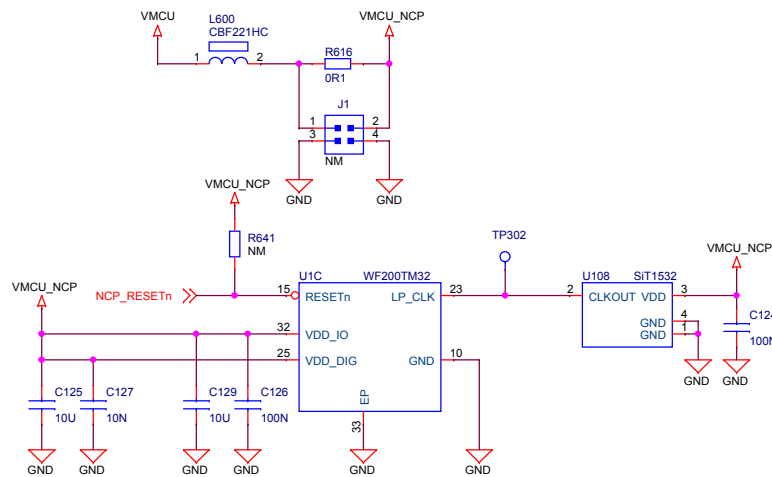
RF Power and antenna



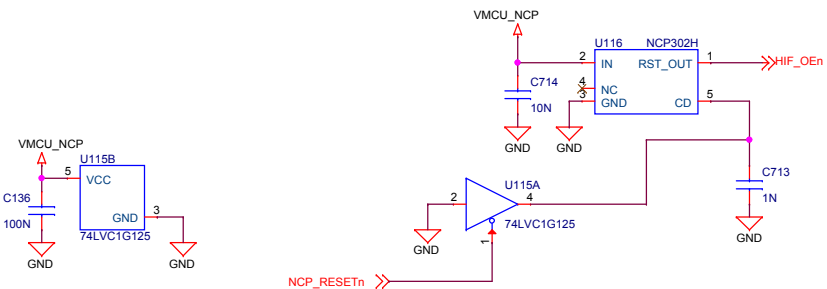
Power-on and manual reset



Digital and core power



SPI/SDIO selection pulse generation



Schematic Title		WF200 NCP EXP Board	
Page Title		RF, Antenna & Power	
Document number		BRD8022A	
Design:	Approved:	Design Created Date:	Sheet Modified Date:
HEL	DDB	Monday, March 06, 2017	Tuesday, December 19, 2017
Size:	BOM Doc No:	Revision	Sheet
A3	<Cage Code>	A02	5 of 5