



## WF200 NCP Expansion Board

Board Function	Page
Title Page	1
Connectors/Interfaces	2
Pin Connections	3
Miscellaneous	4
RF, Antenna & Power	5

LEGAL NOTICE:  
 SILICON LABORATORIES INC. ("SILICON LABS") AND/OR ITS LICENSORS DO NOT WARRANT THE ACCURACY OR COMPLETENESS OF THIS SCHEMATIC OR ANY INFORMATION CONTAINED WITHIN THIS SCHEMATIC. IT IS PROVIDED "AS-IS" FOR REFERENCE ONLY. SILICON LABS DOES NOT WARRANT THAT THIS DESIGN WILL MEET THE SPECIFICATIONS, BE SUITABLE FOR YOUR APPLICATION OR FIT FOR ANY PARTICULAR PURPOSE, OR WILL OPERATE IN YOUR IMPLEMENTATION. SILICON LABS AND ITS LICENSORS DO NOT WARRANT THAT THE DESIGN IMPLIED IN THIS SCHEMATIC IS PRODUCTION-WORTHY. YOU SHOULD COMPLETELY VALIDATE AND TEST YOUR DESIGN IMPLEMENTATION TO CONFIRM SYSTEM FUNCTIONALITY FOR YOUR APPLICATION.

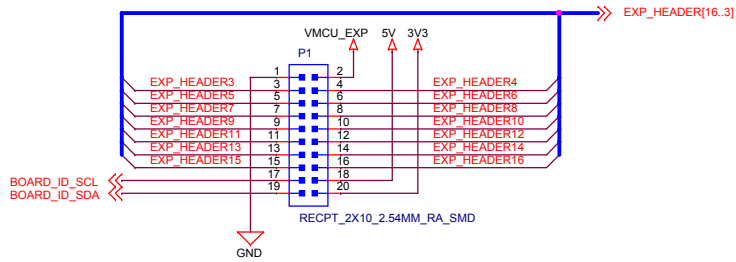


## Revision History

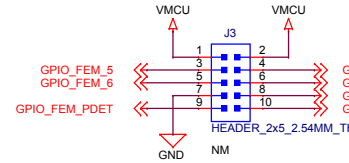
Rev.	Description
A00	Initial version for manufacturing.
A01	Update to IC rev B.
A02	Updated reset circuit and changed crystal.
A03	Updated SDIO signals.
A04	Update to IC rev C.
A05	Updated matching networks.

		Schematic Title	
		<b>WF200 NCP EXP Board</b>	
Designed: HEL Approved: DDB		Page Title	
		<b>Title Page</b>	
Size A3	BOM Doc No: <Cage Code>	Document number	Revision
Design Created Date: Monday, March 06, 2017		Sheet Created Date Monday, March 06, 2017	Sheet Modified Date Tuesday, October 02, 2018
		<b>BRD8022A</b>	A05
			Sheet 1 of 5

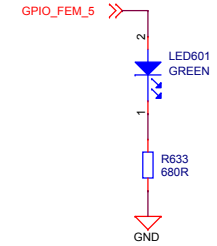
### EXP Header



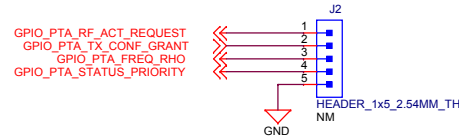
### External FEM Connector



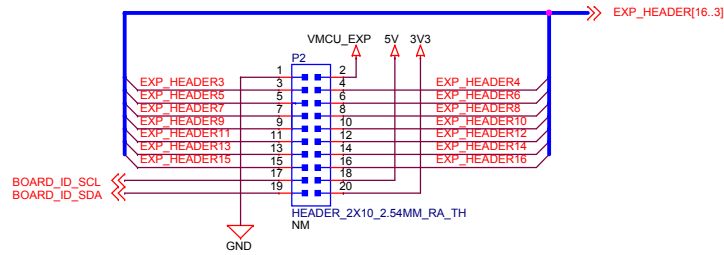
### TX/RX Activity Indicator



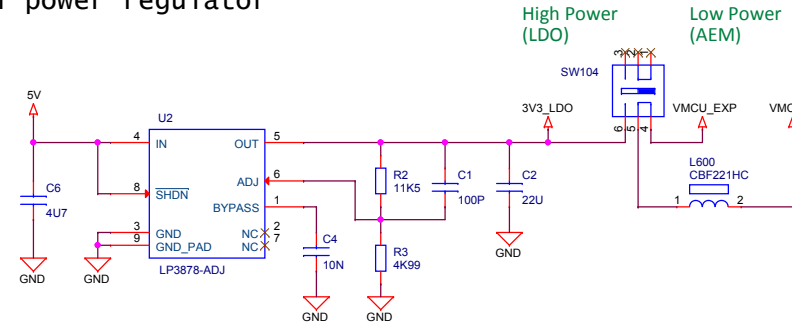
### PTA Connector



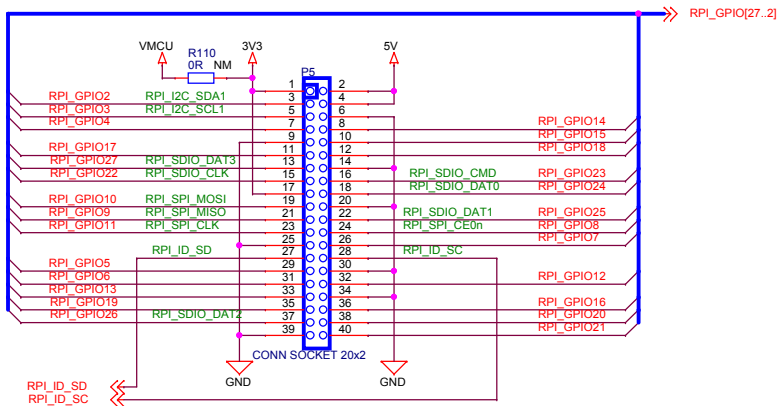
### Pass-through EXP Header (Not Mounted)



### External power regulator




### Raspberry Pi Connector

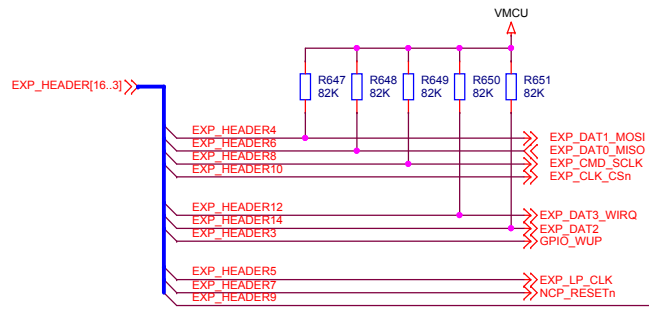


### Mechanical (MISC)

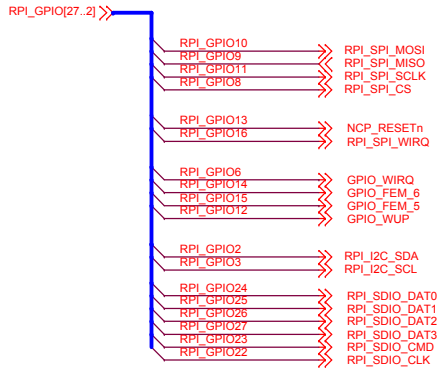


 <b>SILICON LABS</b>		Schematic Title	
		<b>WF200 NCP EXP Board</b>	
Designed: HEL Approved: DDB		Page Title	
		<b>Connectors</b>	
Size A3	BOM Doc No: <Cage Code>	Document number <b>BRD8022A</b>	Revision A05
Design Created Date: Monday, March 06, 2017	Sheet Created Date Monday, March 06, 2017	Sheet Modified Date Tuesday, October 02, 2018	Sheet 2 of 5

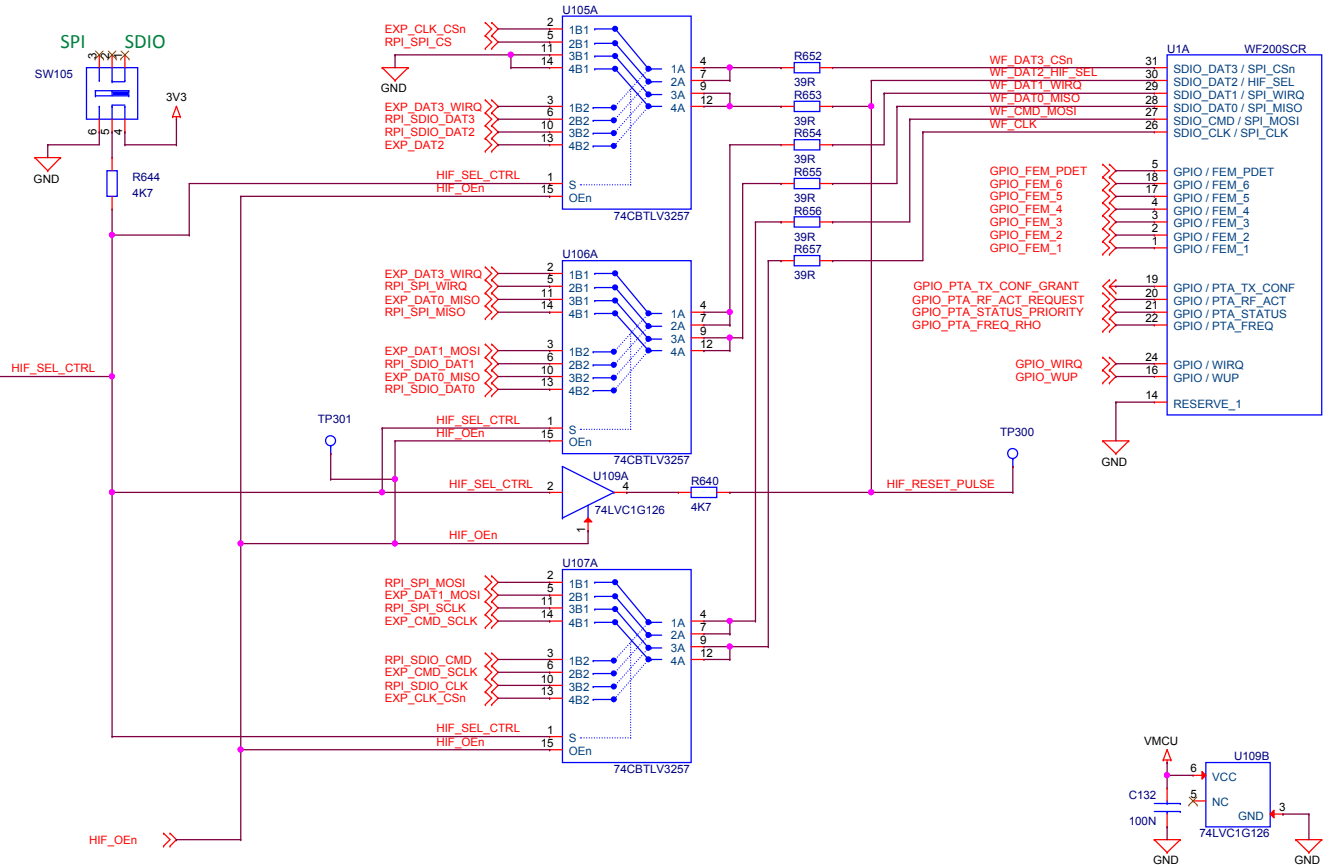
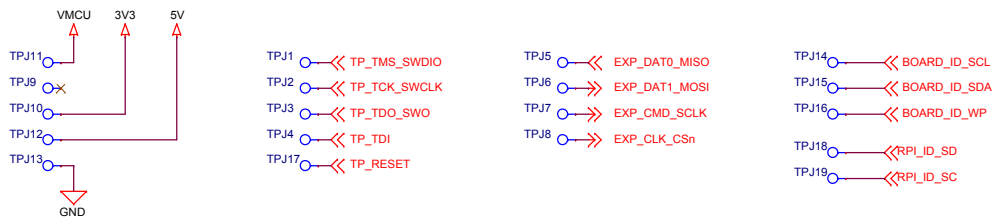
# EXP Header Connections



# Raspberry Pi Connections

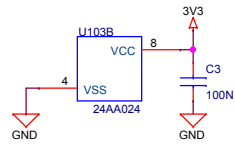
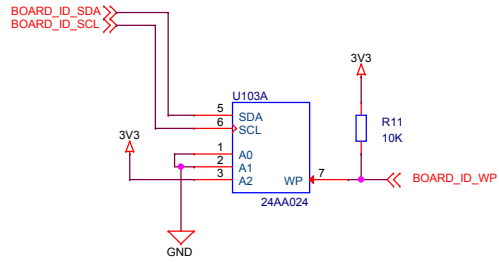


# Test Points

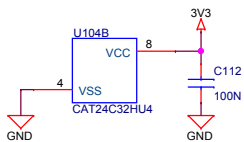
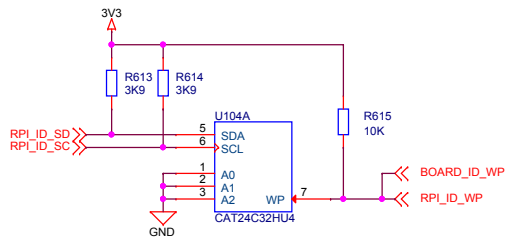



		Schematic Title	
		<b>WF200 NCP EXP Board</b>	
Designed: HEL Approved: DDB		Page Title	
		<b>Pin Mapping</b>	
Size: A3	BOM Doc No: <Cage Code>	Document number	Revision
Design Created Date: Monday, March 06, 2017		<b>BRD8022A</b>	A05
Sheet Created Date: Monday, March 06, 2017		Sheet Modified Date: Tuesday, October 02, 2018	Sheet 3 of 5

Board ID EEPROM

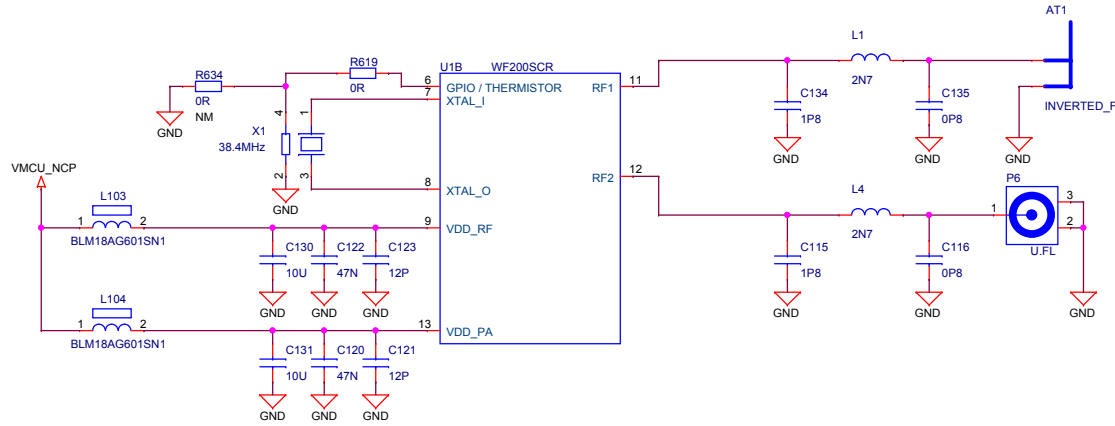


Raspberry Pi HAT EEPROM

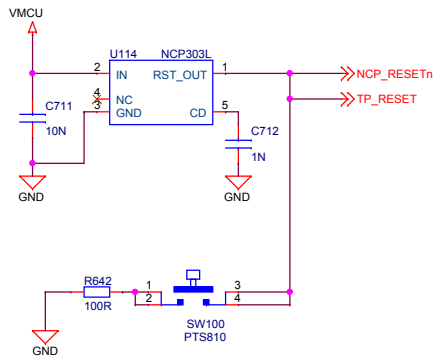


		Schematic Title	
		<b>WF200 NCP EXP Board</b>	
Designed: HEL Approved: DDB		Page Title	
		<b>Miscellaneous</b>	
Size: A3	BOM Doc No: <Cage Code>	Document number	Revision
Design Created Date: Monday, March 06, 2017		<b>BRD8022A</b>	A05
		Sheet Created Date: Monday, March 06, 2017	Sheet Modified Date: Tuesday, October 02, 2018
			Sheet 4 of 5

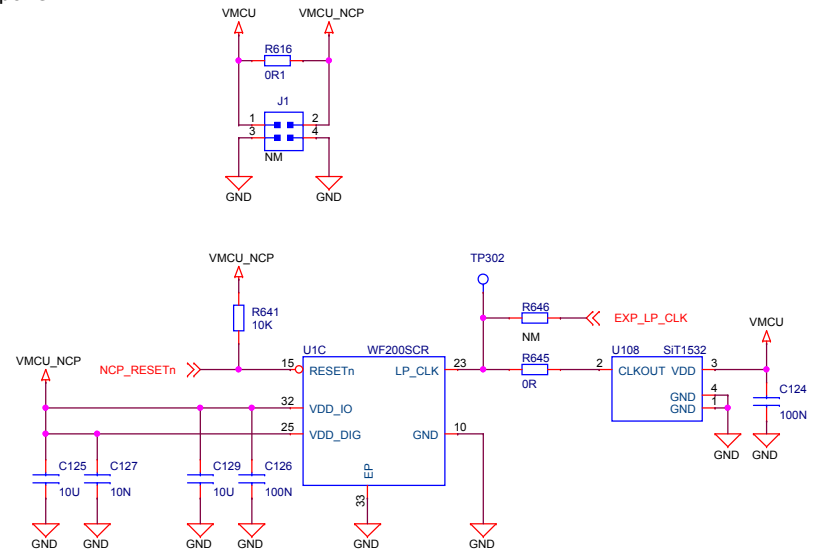
5  
RF Power and antenna



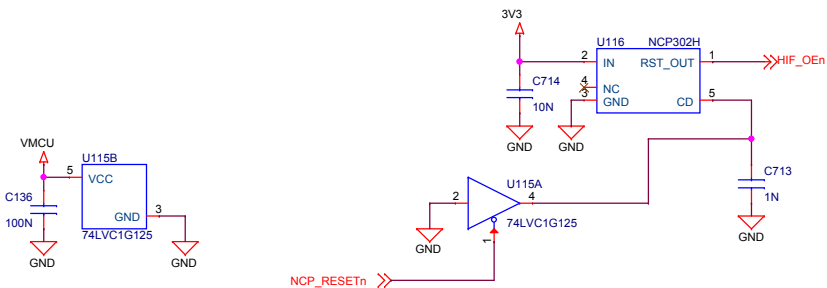
B  
Power-on and manual reset




Digital and core power



A  
SPI/SDIO selection pulse generation



 <b>SILICON LABS</b>		Schematic Title	
		<b>WF200 NCP EXP Board</b>	
Designed: HEL Approved: DDB		Page Title	
		<b>RF, Antenna &amp; Power</b>	
Size: A3	BOM Doc No: <Cage Code>	Document number	Revision
Design Created Date: Monday, March 06, 2017		<b>BRD8022A</b>	<b>A05</b>
	Sheet Created Date: Wednesday, September 20, 2017	Sheet Modified Date: Tuesday, October 02, 2018	Sheet 5 of 5