



WF200 NCP Expansion Board

Board Function	Page
Title Page	1
Connectors/Interfaces	2
Pin Connections	3
Miscellaneous	4
RF, Antenna & Power	5

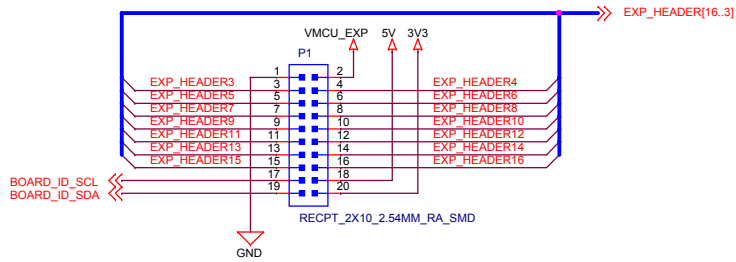
LEGAL NOTICE:
 SILICON LABORATORIES INC. ("SILICON LABS") AND/OR ITS LICENSORS DO NOT WARRANT THE ACCURACY OR COMPLETENESS OF THIS SCHEMATIC OR ANY INFORMATION CONTAINED WITHIN THIS SCHEMATIC. IT IS PROVIDED "AS-IS" FOR REFERENCE ONLY. SILICON LABS DOES NOT WARRANT THAT THIS DESIGN WILL MEET THE SPECIFICATIONS, BE SUITABLE FOR YOUR APPLICATION OR FIT FOR ANY PARTICULAR PURPOSE, OR WILL OPERATE IN YOUR IMPLEMENTATION. SILICON LABS AND ITS LICENSORS DO NOT WARRANT THAT THE DESIGN IMPLIED IN THIS SCHEMATIC IS PRODUCTION-WORTHY. YOU SHOULD COMPLETELY VALIDATE AND TEST YOUR DESIGN IMPLEMENTATION TO CONFIRM SYSTEM FUNCTIONALITY FOR YOUR APPLICATION.



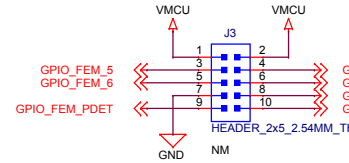
Revision History	
Rev.	Description
A00	Initial version for manufacturing.
A01	Update to IC rev B.
A02	Updated reset circuit and changed crystal.
A03	Updated SDIO signals.
A04	Update to IC rev C.
A05	Updated matching networks.
A06	Build with certified modules.

		Schematic Title	
		WF200 NCP EXP Board	
Designed: HEL Approved: DDB		Page Title	
		Title Page	
Size A3	BOM Doc No: <Cage Code>	Document number BRD8022A	Revision A06
Design Created Date: Monday, March 06, 2017		Sheet Created Date Monday, March 06, 2017	Sheet Modified Date Wednesday, November 07, 2018
		Sheet 1 of 5	

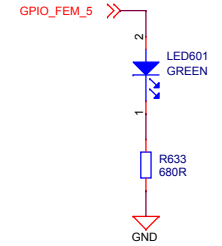
EXP Header



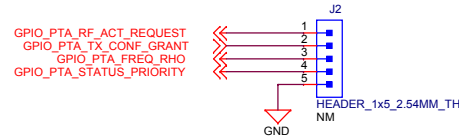
External FEM Connector



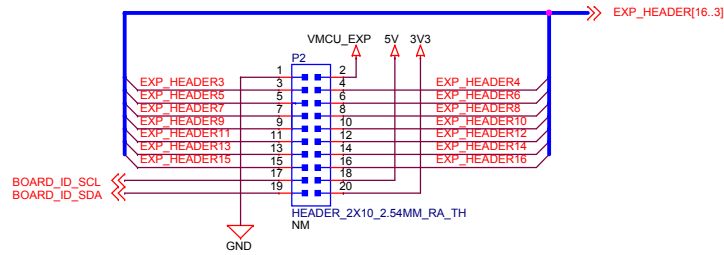
TX/RX Activity Indicator



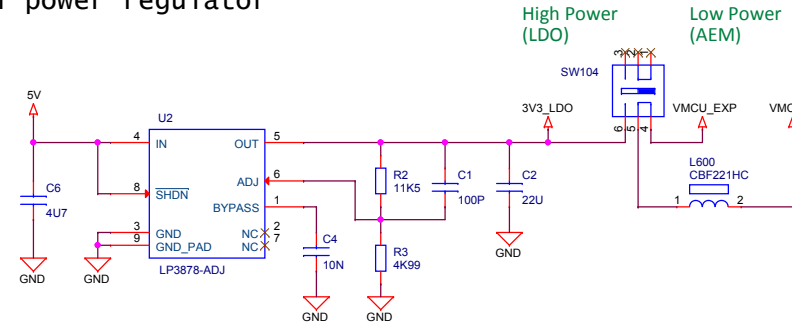
PTA Connector



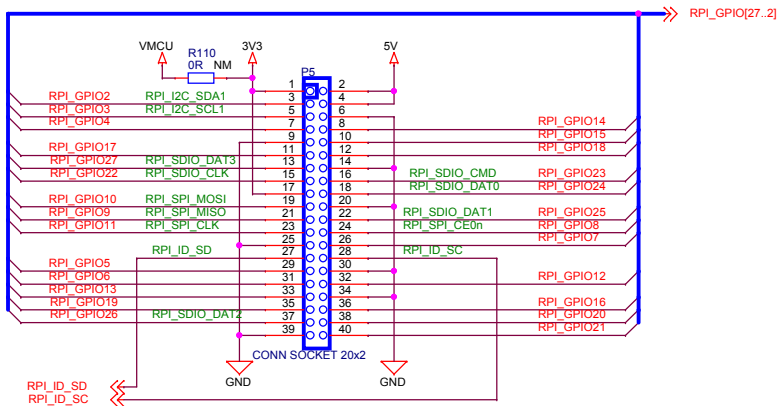
Pass-through EXP Header (Not Mounted)



External power regulator



Raspberry Pi Connector

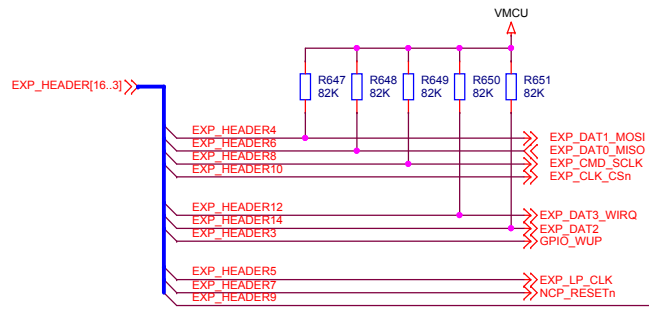


Mechanical (MISC)

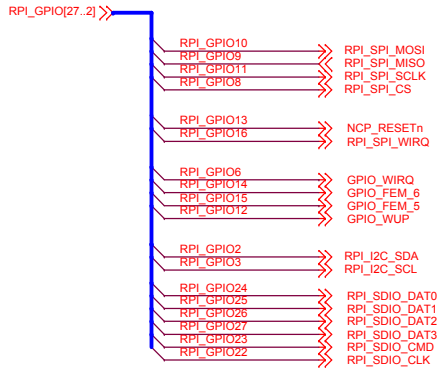


		Schematic Title	
		WF200 NCP EXP Board	
Designed: HEL Approved: DDB		Page Title	
		Connectors	
Size A3	BOM Doc No: <Cage Code>	Document number BRD8022A	Revision A06
Design Created Date: Monday, March 06, 2017	Sheet Created Date Monday, March 06, 2017	Sheet Modified Date Wednesday, November 07, 2018	Sheet 2 of 5

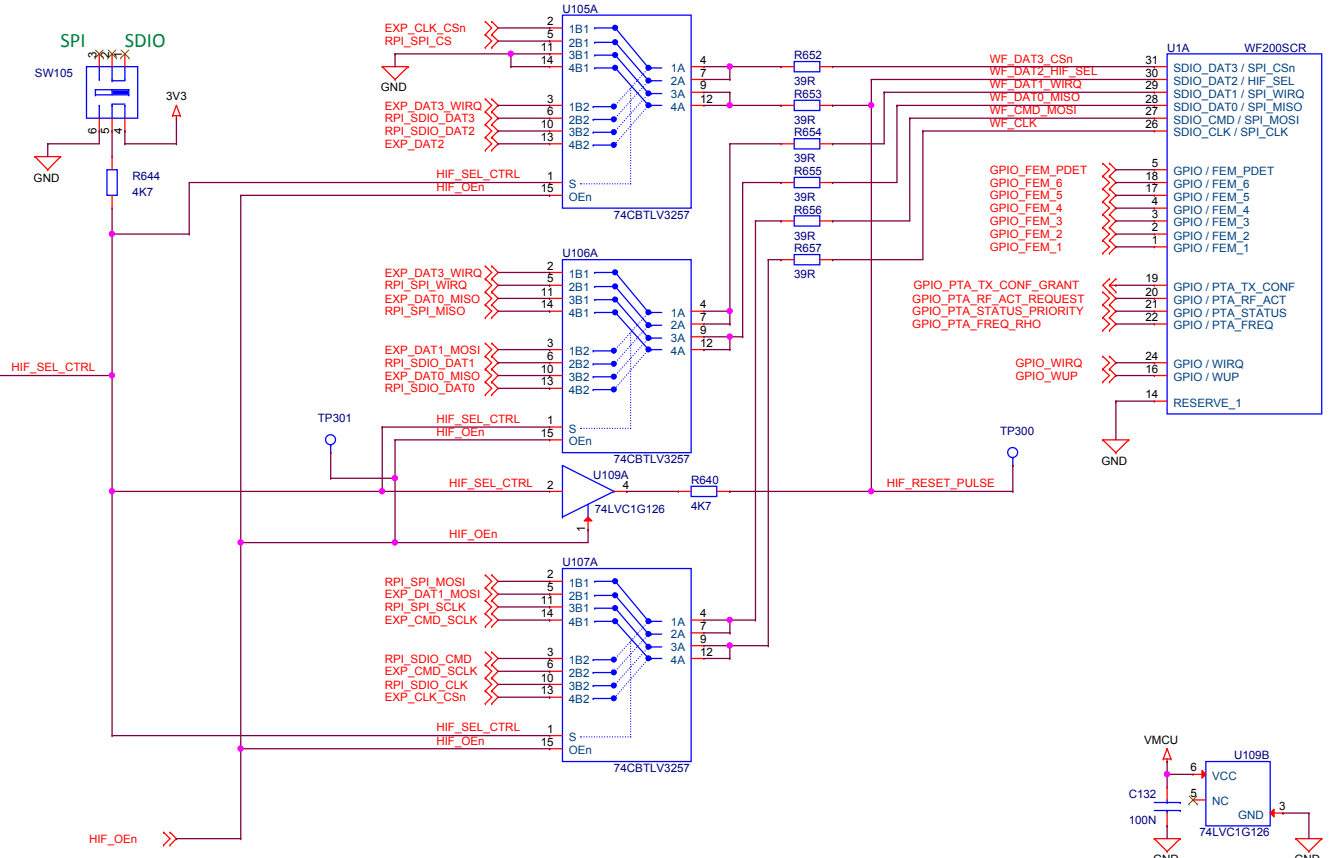
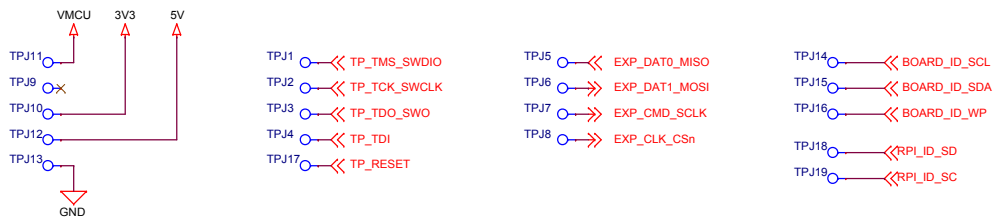
EXP Header Connections



Raspberry Pi Connections

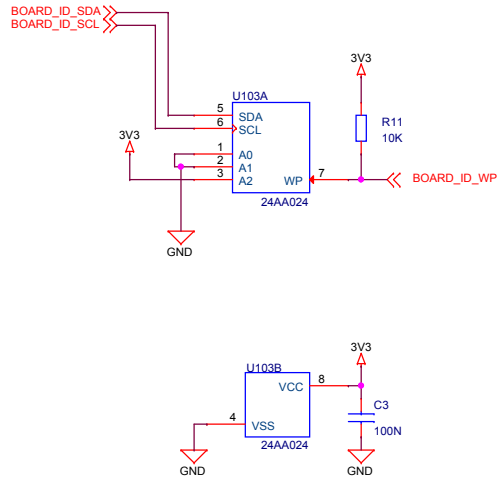


Test Points

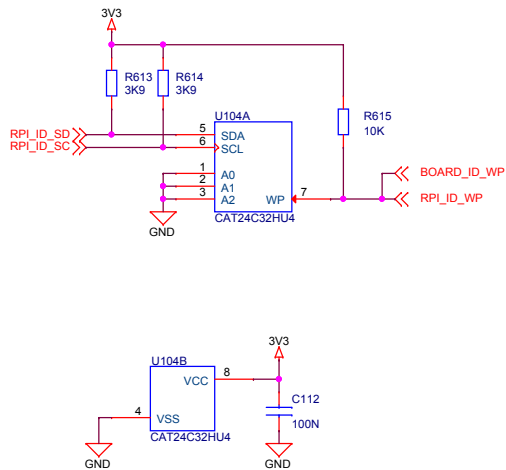



		Schematic Title	
		WF200 NCP EXP Board	
Designed: HEL Approved: DDB		Page Title	
		Pin Mapping	
Size: A3	BOM Doc No: <Cage Code>	Document number	Revision
Design Created Date: Monday, March 06, 2017		BRD8022A	A06
	Sheet Created Date: Monday, March 06, 2017	Sheet Modified Date: Wednesday, November 07, 2018	Sheet 3 of 5

Board ID EEPROM

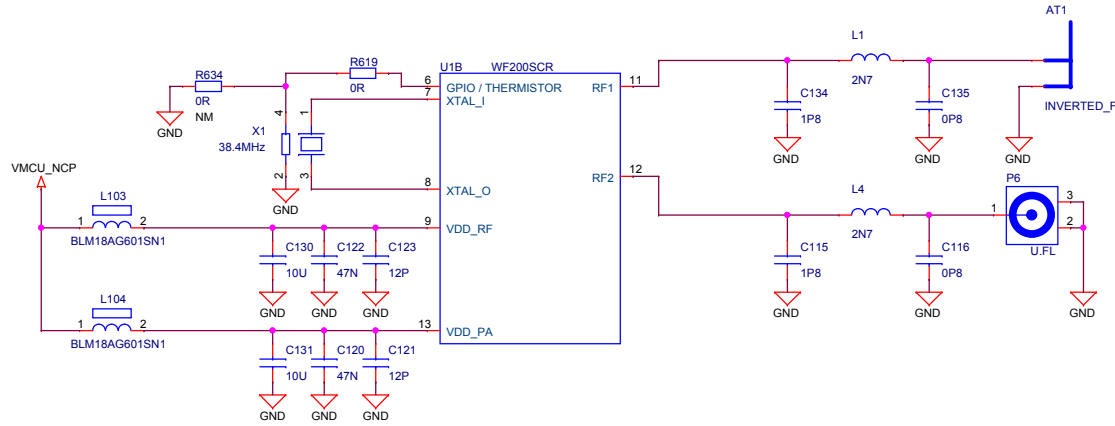


Raspberry Pi HAT EEPROM

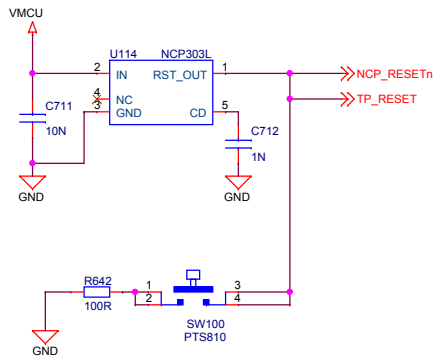


 SILICON LABS		Schematic Title	
		WF200 NCP EXP Board	
Designed: HEL Approved: DDB		Page Title	
		Miscellaneous	
Size A3	BOM Doc No: <Cage Code>	Document number	Revision
Design Created Date: Monday, March 06, 2017		Document number BRD8022A	A06
		Sheet Created Date Monday, March 06, 2017	Sheet Modified Date Wednesday, November 07, 2018
			Sheet 4 of 5

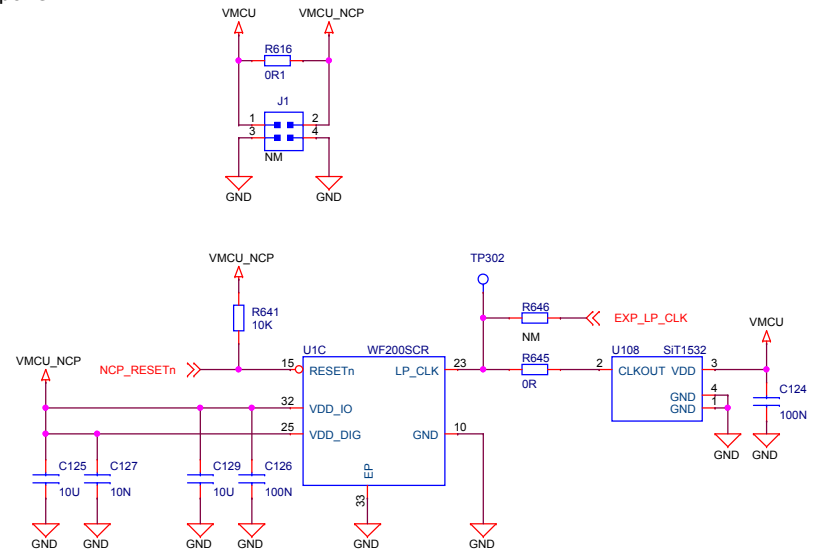
5
RF Power and antenna



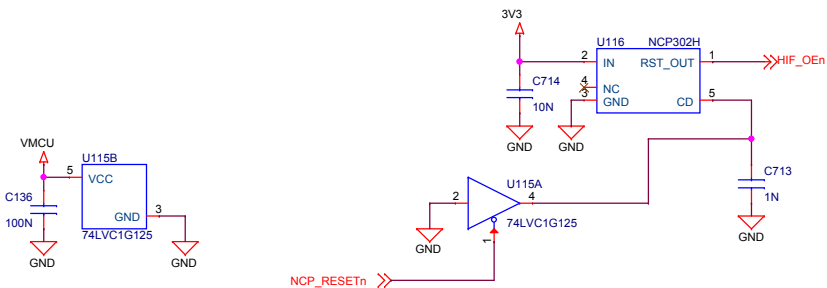
B
Power-on and manual reset




Digital and core power



A
SPI/SDIO selection pulse generation



 SILICON LABS		Schematic Title	
		WF200 NCP EXP Board	
Designed: HEL Approved: DDB		Page Title	
		RF, Antenna & Power	
Size: A3	BOM Doc No: <Cage Code>	Document number	
Design Created Date: Monday, March 06, 2017		BRD8022A	
		Sheet Created Date: Wednesday, September 20, 2017	Revision
		Sheet Modified Date: Wednesday, November 07, 2018	A06
			Sheet 5 of 5