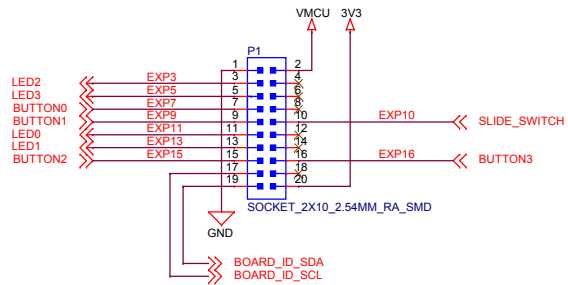




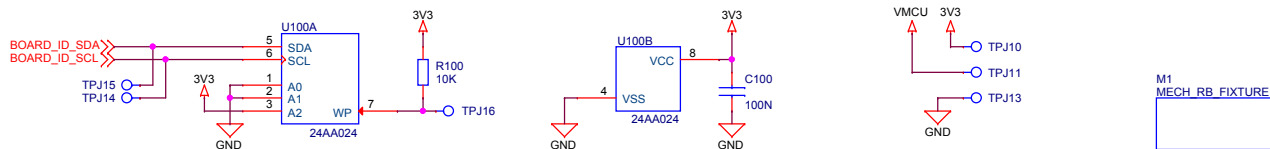
### EXP Header



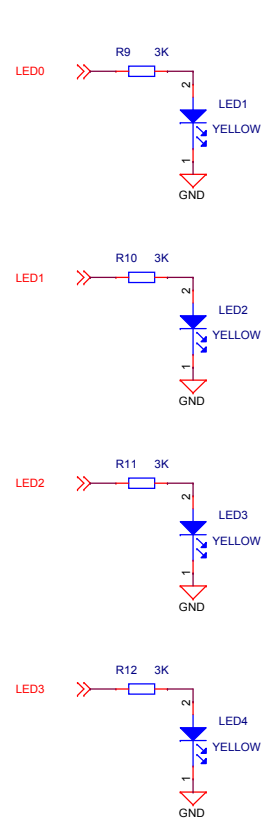
#### EXP Header Functionality

1	GND	
2	VMCU	
3	GPIO	LED2
4	SPI MOSI	
5	GPIO	LED3
6	SPI MISO	
7	GPIO	BUTTON0
8	SPI SCK	
9	GPIO	BUTTON1
10	SPI CS	
11	GPIO	LED0
12	UART TX	
13	GPIO	LED1
14	UART RX	
15	I2C_SCL	
16	I2C_SDA	
17	Board ID SCL	
18	5V	
19	Board ID SDA	
20	3V3	

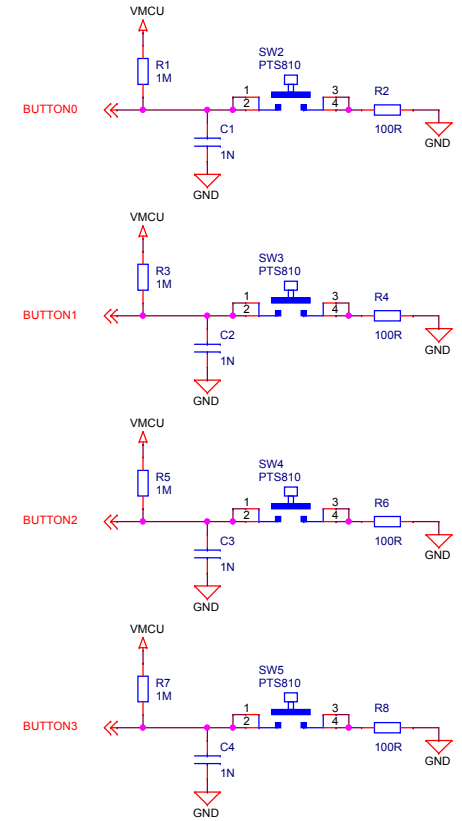
### Board Identification & Test Points



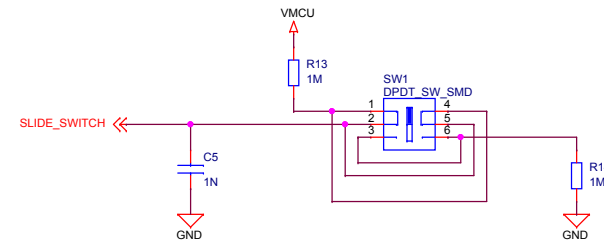
### LEDs



### Buttons



### Slide Switch



		Schematic Title	
		<b>Buttons and LEDs EXP Board</b>	
Designed: JSH Approved: JNO		Page Title	
		<b>Buttons and LEDs</b>	
Size: A3 Design Created Date: Friday, December 08, 2017		Document number <b>BRD8029A</b>	
BOM Doc No: M1 MECH_RB_FIXTURE		Revision A00	
Sheet Created Date Friday, December 08, 2017		Sheet Modified Date Wednesday, July 18, 2018	
Sheet 2 of 2		Sheet 2 of 2	