

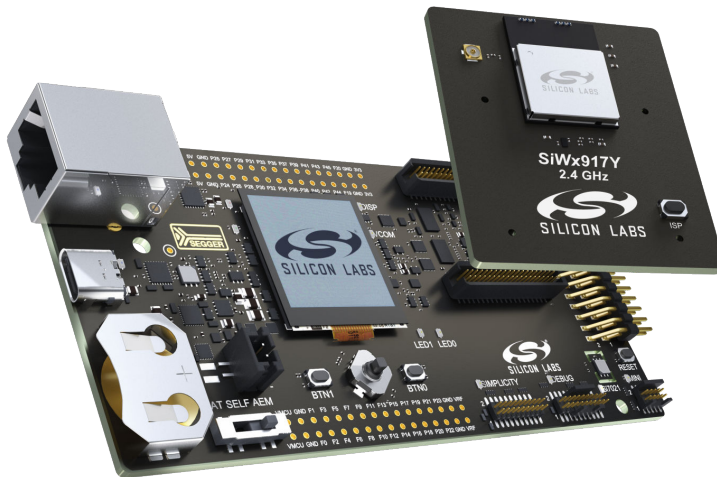
UG592: SiWG917Y Module Wi-Fi 6 and Bluetooth LE 8 MB Flash RF-Pin Radio Board User's Guide

A Wireless Pro Kit with the BRD4343A Radio Board is an excellent starting point to get familiar with the SiWG917Y Wi-Fi 6 and Bluetooth LE 8 MB Flash RF-Pin Module. It also provides all necessary tools for developing a Silicon Labs wireless application.

BRD4343A is a plug-in board for the Wireless Pro Kit Mainboard (BRD4002A). It contains the SiWG917Y Wi-Fi 6 and Bluetooth LE 8 MB Flash RF-Pin Module.

The mainboards contain an on-board J-Link debugger with a Virtual COM port, enabling application development and debugging of the attached radio board as well as external hardware. The mainboards also contain sensors and peripherals for easy demonstration of some of the SiWG917Y's many capabilities.

This document describes how to use the BRD4343A Radio Board together with a Wireless Pro Kit Mainboard.



BRD4343A RADIO BOARD FEATURES

- SiWG917Y Wireless SoC with 8 MB Flash and 8 MB PSRAM and 320 kB RAM (SiWG917Y111MGNBA)
- RF pin with UFL connector (2.4 GHz band)

MAINBOARD FEATURES

- Advanced Energy Monitor
- Logic analyzer (BRD4002A only)
- Virtual COM port
- SEGGER J-Link on-board debugger
- External device debugging
- Ethernet and USB connectivity
- Silicon Labs Si7021 relative humidity and temperature sensor
- Low-power 128x128 pixel Memory LCD-TFT
- User LEDs / pushbuttons
- 20-pin 2.54 mm EXP header
- Breakout pads for SoC I/O
- CR2032 coin cell battery support

SOFTWARE SUPPORT

- Simplicity Studio
- Energy Profiler
- Network Analyzer

ORDERING INFORMATION

- SiW917-PK6140A
- SiW917-RB4343A

Table of Contents

1. Introduction	4
1.1 Radio Boards	4
1.2 Mainboards	4
1.3 Ordering Information	5
1.4 Getting Started	5
2. Hardware Overview	6
2.1 Hardware Layout	6
2.2 Block Diagram	7
3. Connectors	8
3.1 J-Link USB Connector	8
3.2 Ethernet Connector	8
3.3 Breakout Pads	9
3.4 EXP Header	10
3.4.1 EXP Header Pinout	11
3.5 Logic Analyzer Connector	12
3.6 Debug Connector	13
3.7 Simplicity Connector	14
3.8 Mini Simplicity Connector	15
4. Power Supply and Reset	16
4.1 Radio Board Power Selection	16
4.2 Kit Power	17
4.2.1 Board Controller Power	17
4.2.2 AEM Power	17
4.3 Target Reset	17
5. Peripherals	18
5.1 Push Buttons and LEDs	18
5.2 Memory LCD-TFT Display	19
5.3 Si7021 Relative Humidity and Temperature Sensor	20
5.4 Virtual COM Port	21
5.4.1 Host Interfaces	22
5.4.2 Serial Configuration	22
6. Board Controller	23
6.1 Introduction	23
6.2 Admin Console	23
6.2.1 Connecting	23
6.2.2 Built-in Help	24
6.2.3 Command Examples	24

- 7. Advanced Energy Monitor 25**
 - 7.1 Introduction 25
 - 7.2 Code Correlation 25
 - 7.3 AEM Circuit 25
 - 7.3.1 AEM Details 26
- 8. On-Board Debugger 27**
 - 8.1 Host Interfaces 27
 - 8.1.1 USB Interface 27
 - 8.1.2 Ethernet Interface 27
 - 8.1.3 Serial Number Identification 27
 - 8.2 Debug Modes 28
 - 8.3 Debugging During Battery Operation 29
- 9. Kit Configuration and Upgrades 30**
 - 9.1 Firmware Upgrades 30
- 10. Schematics, Assembly Drawings, and BOM 31**
- 11. Kit Revision History 32**
 - 11.1 SiW917Y-PK6140A Revision History 32
 - 11.2 SiW917Y-RB4343A Revision History 32
- 12. Document Revision History 33**

1. Introduction

The SiWG917Y Wireless SoC is featured on a radio board that plugs directly into a Wireless Pro Kit Mainboard. The mainboards feature several tools for easy evaluation and development of wireless applications. An on-board J-Link debugger enables programming and debugging on the target device over USB or Ethernet. The Advanced Energy Monitor (AEM) offers real-time current and voltage monitoring. A virtual COM port interface (VCOM) provides an easy-to-use serial port connection over USB or Ethernet. All debug functionality, including AEM, VCOM, and PTI, can also be used towards external target hardware instead of the attached radio board.

To further enhance its usability, the mainboard contains sensors and peripherals that demonstrate some of the many capabilities of the SiWG917Y. The mainboard also has a 20-pin EXP header which can be used for connecting EXP boards to the kit or for easy connection to I/Os on the radio board target IC.

1.1 Radio Boards

A Wireless Pro Kit consists of one or more mainboards and radio boards that plug into the mainboard. Different radio boards are available, each featuring different Silicon Labs devices with different operating frequency bands. Because the mainboards are designed to work with different radio boards, the actual pin mapping from a device pin to a mainboard feature is done on the radio board. This means that each radio board has its own pin mapping to the Wireless Pro Kit features, such as buttons, LEDs, the display, the EXP header, and the breakout pads. Because this pin mapping is different for every radio board, it is important to consult the correct document, which shows the kit features in context of the radio board plugged in.

1.2 Mainboards

The SiWG917Y Module Wi-Fi 6 and Bluetooth LE 8 MB Flash RF-Pin Radio Board (BRD4343A) can be used with a Wireless Pro Kit Mainboard (BRD4002A). The Wireless Pro Kit Mainboard comes with features including AEM measurement range and sample rate, variable VMCU voltage, joystick, a logic analyzer, and a Mini Simplicity Connector. Kit features, such as the Si7021 sensor and the EXP header, are available on the same SiWG917Y pins regardless of the mainboard being used, but the pinout to the breakout pads differs. The combination of the SiWG917Y Module Wi-Fi 6 and Bluetooth LE 8 MB Flash RF-Pin Radio Board with the mainboard is hereby referred to as a Wireless Pro Kit as the figure below illustrates.

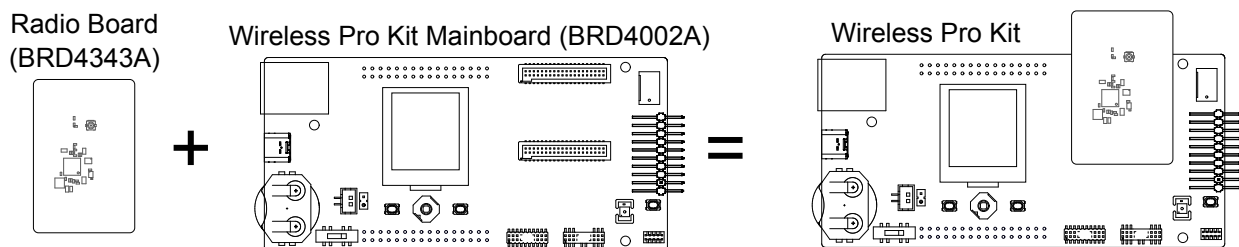


Figure 1.1. Wireless Pro Kit Combinations

Note: This document explains how to use the Wireless Pro Kit when the SiWG917Y Module Wi-Fi 6 and Bluetooth LE 8 MB Flash RF-Pin Radio Board (BRD4343A) is combined with a Wireless Pro Kit Mainboard (BRD4002A). Since some of the functionality of the kit depends on the type of mainboard used, it is important to consult the right information in the user guide whenever there are discrepancies.

1.3 Ordering Information

BRD4343A can be obtained as part of SiW917Y-PK6140A SiWx917YAC0 Module Wi-Fi 6 and Bluetooth LE 8 MB Flash Pro Kit or as a separate radio board, SiW917Y-RB4343A.

Table 1.1. Ordering Information

Part Number	Description	Contents
SiW917Y-PK6140A	SiWx917YAC0 Module Wi-Fi 6 and Bluetooth LE 8 MB Flash Pro Kit	1x BRD4002A Wireless Pro Kit Mainboard 1x BRD4343A SiWG917Y Module Wi-Fi 6 and Bluetooth LE 8 MB Flash RF-Pin Radio Board 1x UFL antenna
SiW917Y-RB4343A	SiWG917Y Module Wi-Fi 6 and Bluetooth LE 8 MB Flash RF-Pin Radio Board	1x BRD4343A SiWG917Y Module Wi-Fi 6 and Bluetooth LE 8 MB Flash RF-Pin Radio Board 1x UFL antenna

1.4 Getting Started

Detailed instructions for how to get started can be found on the Silicon Labs web pages: <http://www.silabs.com/dev-tools>.

2. Hardware Overview

2.1 Hardware Layout

The layout of the SiWG917Y Module Wi-Fi 6 and Bluetooth LE 8 MB Flash RF-Pin Wireless Pro Kit when the radio board is combined with a Wireless Pro Kit Mainboard (BRD4002A) is shown below.

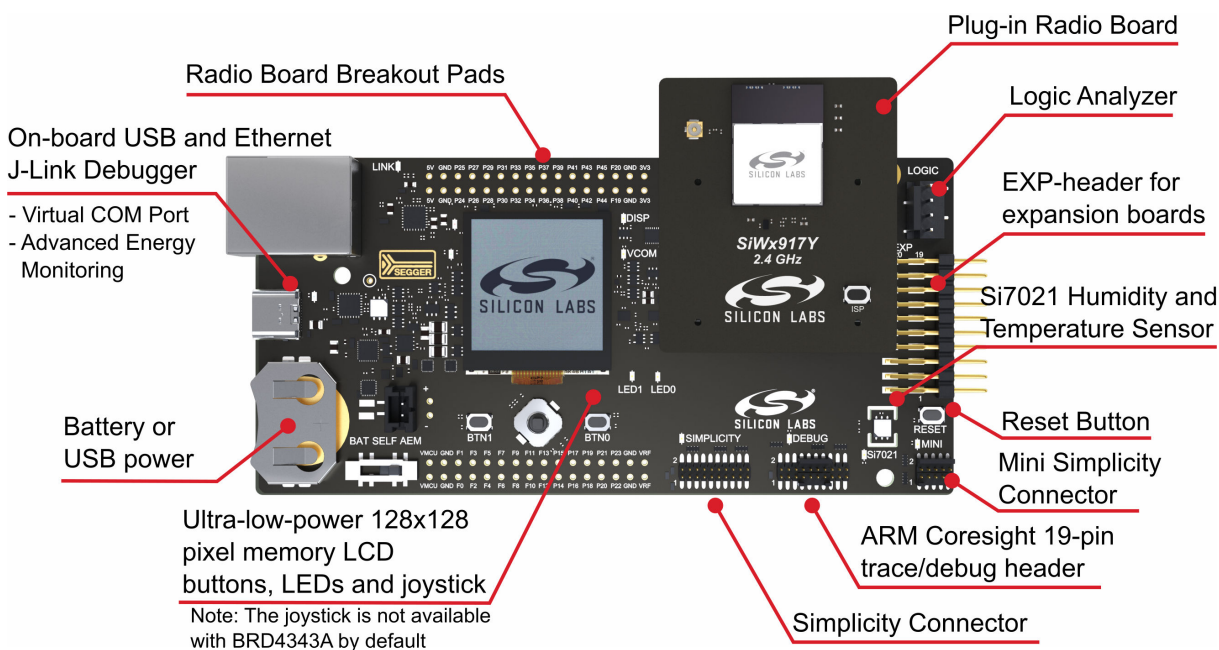


Figure 2.1. Hardware Layout With A Wireless Pro Kit Mainboard (BRD4002A)

2.2 Block Diagram

A block diagram of the SiWG917Y Module Wi-Fi 6 and Bluetooth LE 8 MB Flash RF-Pin Wireless Pro Kit is shown in the figure below.

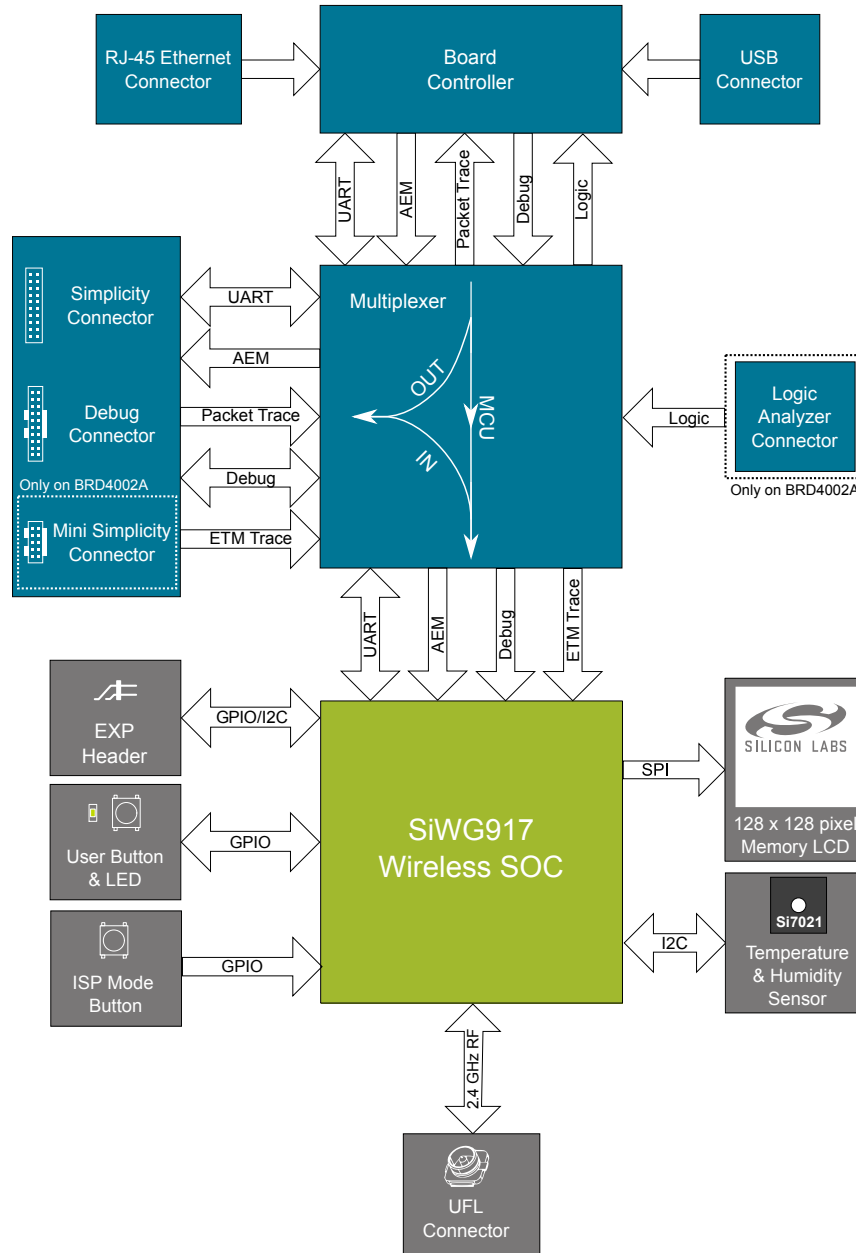


Figure 2.2. Kit Block Diagram

3. Connectors

This chapter gives you an overview of the mainboard connectivity. The placement of the connectors on the Wireless Pro Kit Mainboard (BRD4002A) is shown below.

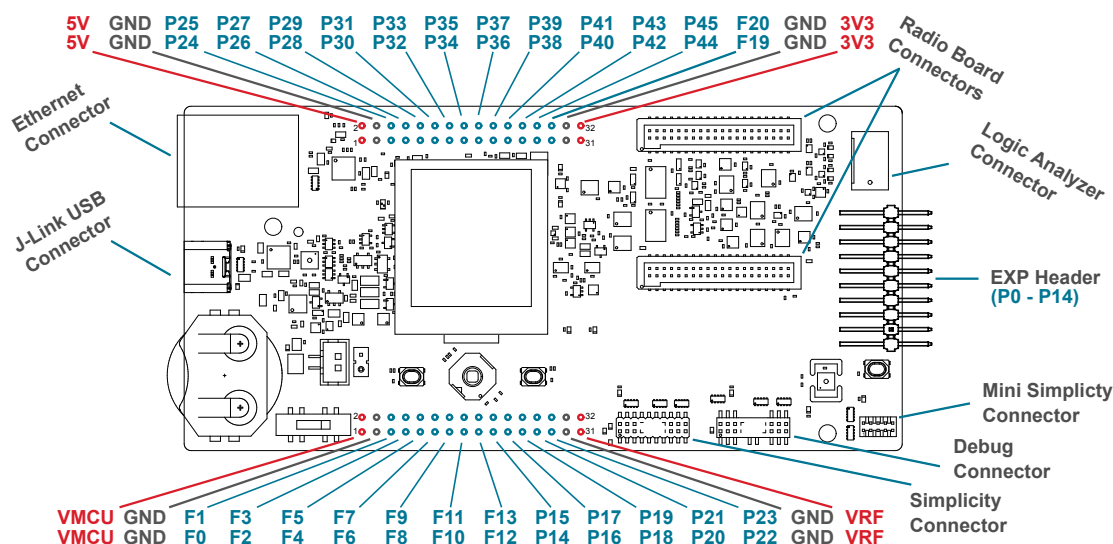


Figure 3.1. Wireless Pro Kit Mainboard (BRD4002A) Connector Layout

3.1 J-Link USB Connector

The J-Link USB connector is situated on the left side of the mainboard and provides access to the kit features described in Section 6. [Board Controller](#) through the USB interface. In addition to providing access to development features of the kit, this USB connector is also the main power source for the kit powering both the board controller and the AEM as described in Section 4. [Power Supply and Reset](#).

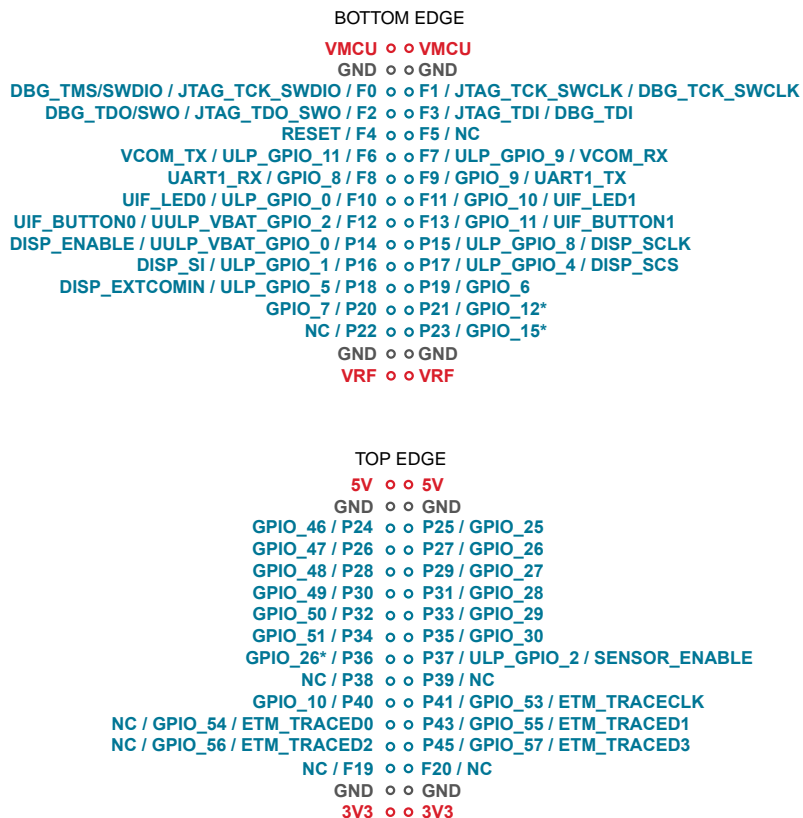
3.2 Ethernet Connector

The Ethernet connector is situated on the left side of the mainboard and provides access to the kit features described in Section 6. [Board Controller](#) over TCP/IP. The J-Link USB connector must be connected while using this interface to provide power to the Wireless Pro Kit as power is not supplied over the Ethernet connector.

3.3 Breakout Pads

Most of the SiWG917Y pins are routed from the radio board to breakout pads at the top and bottom edges of the mainboard. A 2.54 mm pitch pin header can be soldered on for easy access to the pins. The figures below show how the pins of the SiWG917Y map to the pin numbers printed on the breakout pads on the Wireless Pro Kit Mainboard (BRD4002A). To see the available functions on each pin, refer to the data sheet for SiWG917Y111MGNBA.

Note: Pinout to the breakout pads depends on the mainboard being used.



* Optional connection, not enabled by default

Figure 3.2. Wireless Pro Kit Mainboard (BRD4002A) Breakout Pad Pin Mapping

3.4 EXP Header

The EXP header is an angled, 20-pin header that allows connection of peripherals or plugin boards to the kit. It is located on the right-hand side of the mainboard and contains several I/O pins that can be used with most of the SiWG917Y's features. Additionally, the VMCU, 3V3, and 5V power rails are also exposed.

The pin-out is standardized so commonly used peripherals, such as SPI, UART, and I2C, are available on fixed locations. The remaining pins are assigned to general purpose IO. This allows the definition of EXP boards that can be used with most radio boards.

The figure below shows the pin assignment of the EXP header.

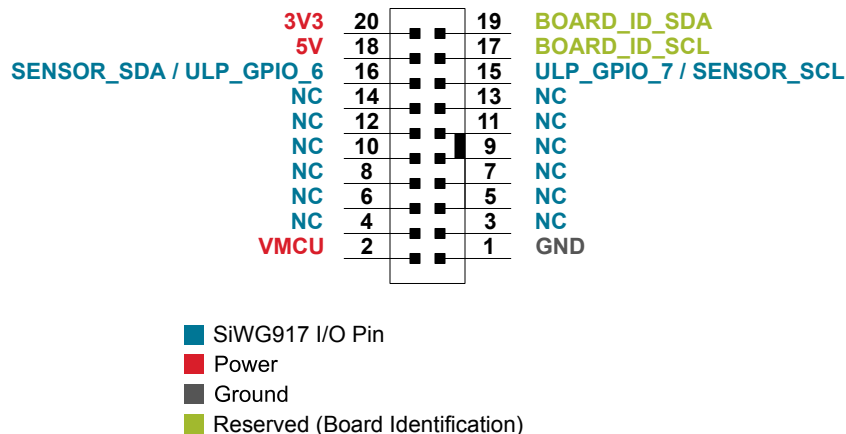


Figure 3.3. EXP Header

3.4.1 EXP Header Pinout

The pin-routing on the SiWG917Y is very flexible, so most peripherals can be routed to any pin. However, many pins are shared between the EXP header and other functions on the mainboard. The table below includes an overview of the mainboard features that share pins with the EXP header.

Table 3.1. EXP Header Pinout

Pin	SiWG917Y RB Connection	EXP Header Function
20	3V3	Board controller supply
18	5V	Board USB voltage
16	ULP_GPIO_6	SENSOR_SDA
14	NC	–
12	NC	–
10	NC	SPI_CS
8	NC	SPI_SCLK
6	NC	SPI_MISO
4	NC	SPI_MOSI
2	VMCU	SiWG917Y voltage domain, included in AEM measurements.
19	BOARD_ID_SDA	Connected to board controller for identification of add-on boards.
17	BOARD_ID_SCL	Connected to board controller for identification of add-on boards.
15	ULP_GPIO_7	SENSOR_SCL
13	NC	GPIO
11	NC	GPIO
9	NC	GPIO
7	NC	GPIO
5	NC	GPIO
3	NC	GPIO
1	GND	Ground

Note: We have an on-board Voltage Regulator on the Wireless Pro Kit with maximum current rating of 800 mA.

3.5 Logic Analyzer Connector

The Wireless Pro Kit Mainboard includes an on-board, eight-channel logic analyzer. It enables four digital signals to be sampled and displayed in Simplicity Studio, in addition to the state of the on-board user interface LEDs and buttons. The logic analyzer is a good tool for correlating specific events to the AEM energy profile and packet trace data as these are time-synchronized and can be visualized together. The sampling rate of 100 kHz limits its use in decoding digital protocols like I²C or SPI.

The logic analyzer connector is situated on the top right side of the Wireless Pro Kit Mainboard. Four signals (channel 0-3) can be connected to the logic analyzer using this connector and the test probes that are obtainable through the "Si-DA001A Pro Kit Mainboard Accessory Kit". The test probes can be connected to the kit itself or on an external board connected to the Wireless Pro Kit Mainboard. Note that in both cases the connected signals must be digital, and the voltages referenced to ground and VMCU on the Wireless Pro Kit Mainboard. The table below gives an overview of the logic analyzer signals.

Note: The logic analyzer is only available on the Wireless Pro Kit Mainboard (BRD4002A). Using the external signals requires test probes which are obtainable through the "Si-DA001A Pro Kit Mainboard Accessory Kit".

Table 3.2. Logic Analyzer Signal Description

Type	Channel	Description
External signal	0	Connector (ch0)
	1	Connector (ch1)
	2	Connector (ch2)
	3	Connector (ch3)
Internal signal	4	LED0
	5	LED1
	6	BTN0
	7	BTN1

3.6 Debug Connector

The debug connector serves multiple purposes based on the "debug mode" setting which can be configured in Simplicity Studio. When the debug mode is set to "Debug IN", the debug connector can be used to connect an external debugger to the SiWG917Y on the radio board. When set to "Debug OUT", this connector allows the kit to be used as a debugger towards an external target. When set to "Debug MCU" (default), the connector is isolated from both the on-board debugger and the radio board target device.

Because this connector is electronically switched between the different operating modes, it can only be used when the board controller is powered (i.e., J-Link USB cable connected). If debug access to the target device is required when the board controller is unpowered, connect directly to the appropriate breakout pins.

The pinout of the connector follows that of the standard ARM Cortex Debug+ETM 19-pin connector. The pinout is described in detail below. Even though the connector has support for both JTAG and ETM Trace, it does not necessarily mean that the kit or the on-board target device supports these features.

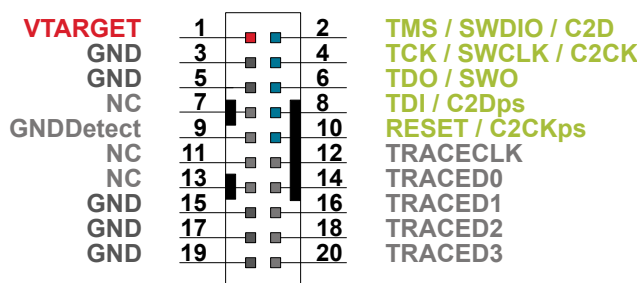


Figure 3.4. Debug Connector

Note: The pinout matches the pinout of an ARM Cortex Debug+ETM connector, but these are not fully compatible because pin 7 is physically removed from the Cortex Debug+ETM connector. Some cables have a small plug that prevents them from being used when this pin is present. If this is the case, remove the plug or use a standard 2x10 1.27 mm straight cable instead.

Table 3.3. Debug Connector Pin Descriptions

Pin Number(s)	Function	Description
1	VTARGET	Target reference voltage. Used for shifting logical signal levels between target and debugger.
2	TMS / SDWIO / C2D	JTAG test mode select, Serial Wire data, or C2 data (JTAG_TMS_SWDIO, DBG TMS/SWDIO, JTAG_TMS/SWDIO)
4	TCK / SWCLK / C2CK	JTAG test clock, Serial Wire clock, or C2 clock (JTAG_TCK_SWCLK, DBG TCK/SWCLK, JTAG_TCK/SWCLK)
6	TDO/SWO	JTAG test data out or Serial Wire Output (JTAG_TDO_SWO, DBG TDO/SWO, JTAG_TDO/SWO/ISP_ENABLE)
8	TDI / C2Dps	JTAG test data in or C2D "pin sharing" function (JTAG_TDI, DBG TDI, JTAG_TDI)
10	RESET / C2CKps	Target device reset or C2CK "pin sharing" function
12	TRACECLK	Not connected (Can be connected to GPIO_11)
14	TRACED0	Not connected
16	TRACED1	Not connected
18	TRACED2	Not connected
20	TRACED3	Not connected
9	Cable detect	Connect to ground
7, 11, 13	NC	Not connected
3, 5, 15, 17, 19	GND	Ground

3.7 Simplicity Connector

The Simplicity Connector enables the advanced debugging features, such as the AEM, the virtual COM port, and the Packet Trace Interface, to be used towards an external target. The pinout is illustrated in the figure below.

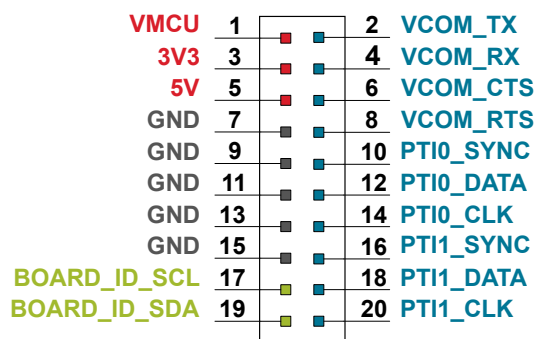


Figure 3.5. Simplicity Connector

Note: Current drawn from the VMCU voltage pin is included in the AEM measurements, while the 3V3 and 5V voltage pins are not. When monitoring the current consumption of an external target with the AEM, unplug the radio board from the mainboard to avoid adding the radio board's current consumption to the measurements.

Table 3.4. Simplicity Connector Pin Descriptions

Pin Number(s)	Function	Description
1	VMCU	VMCU power rail, monitored by the AEM
3	3V3	3V3 power rail
5	5V	5V power rail
2	VCOM_TX	Virtual COM Tx
4	VCOM_RX	Virtual COM Rx
6	VCOM_CTS	Virtual COM CTS
8	VCOM_RTS	Virtual COM RTS
10	PTI0_SYNC	Packet Trace 0 Sync
12	PTI0_DATA	Packet Trace 0 Data
14	PTI0_CLK	Packet Trace 0 Clock
16	PTI1_SYNC	Packet Trace 1 Sync
18	PTI1_DATA	Packet Trace 1 Data
20	PTI1_CLK	Packet Trace 1 Clock
17	BOARD_ID_SCL	Board ID SCL
19	BOARD_ID_SDA	Board ID SDA
7, 9, 11, 13, 15	GND	Ground

3.8 Mini Simplicity Connector

The Mini Simplicity Connector on the Wireless Pro Kit Mainboard offers advanced debugging features on a 10-pin connector to be used towards an external target. The Mini Simplicity Connector offers the following features:

- Serial Wire Debug (SWD) with SWO
- Packet Trace Interface (PTI)
- Virtual COM port (VCOM)
- AEM monitored voltage rail

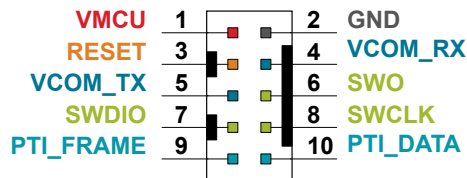


Figure 3.6. Mini Simplicity Connector

Note: Current drawn from the VMCU voltage pin is included in the AEM measurements. When monitoring the current consumption of an external target with the AEM, unplug the radio board from the Wireless Pro Kit Mainboard to avoid adding the radio board's current consumption to the measurements.

Table 3.5. Mini Simplicity Connector Pin Descriptions

Pin Number(s)	Function	Description
1	VMCU	Target voltage on the debugged application. Supplied and monitored by the AEM when power selection switch is in the "AEM" position.
2	GND	Ground
3	RST	Target device reset
4	VCOM_RX	Virtual COM Rx
5	VCOM_TX	Virtual COM Tx
6	SWO	Serial Wire Output
7	SWDIO	Serial Wire Data
8	SWCLK	Serial Wire Clock
9	PTI_FRAME	Packet Trace Frame Signal
10	PTI_DATA	Packet Trace Data Signal

Note: Mini Simplicity Connector pin-out is referenced from the device target (SiWG917Y) side.

4. Power Supply and Reset

4.1 Radio Board Power Selection

The SiWG917Y on a Wireless Pro Kit can be powered by one of these sources:

- The debug USB cable
- A 3 V coin cell battery
- A USB regulator on the radio board (for devices with USB support only)

The power source for the radio board is selected with the slide switch in the lower left corner of the Wireless Pro Kit Mainboard. The figure below shows how the different power sources can be selected with the slide switch.

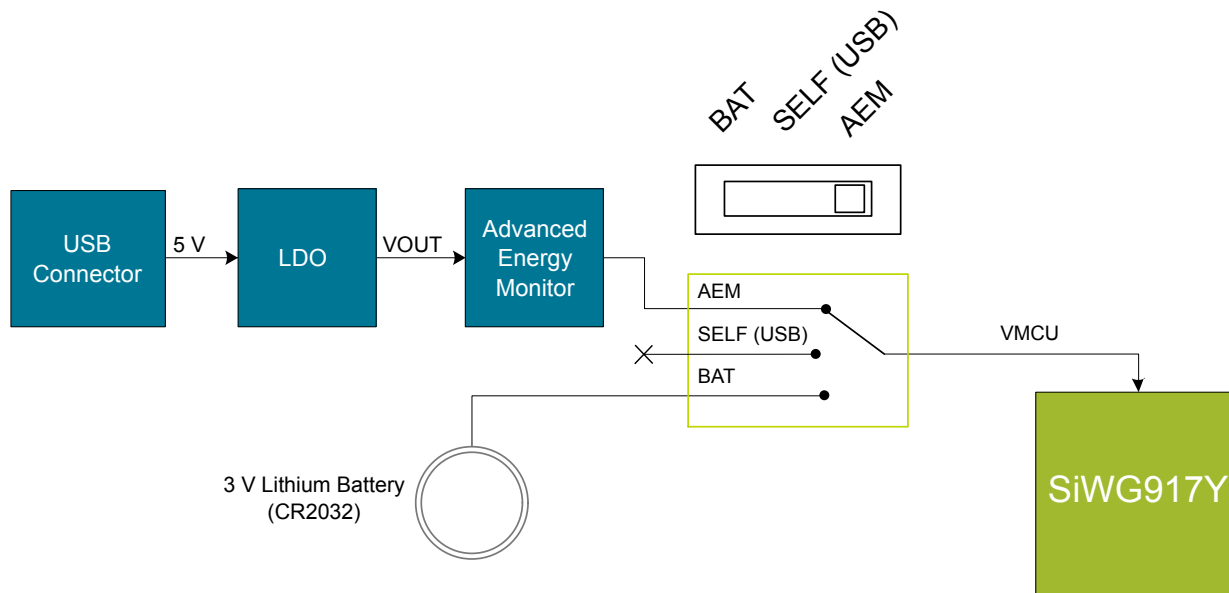


Figure 4.1. Power Switch

Note: The middle position is denoted by "SELF" on the Wireless Pro Kit Mainboard.

Note: The AEM can only measure the current consumption of the SiWG917Y when the power selection switch is in the **AEM** position.

AEM position: With the switch in the AEM position, a low noise LDO on the mainboard is used to power the radio board. This LDO is again powered from the debug USB cable. The AEM is now also connected in series, allowing accurate high-speed current measurements and energy debugging/profiling.

USB position: With the switch in the USB position, radio boards with USB-support can be powered by a regulator on the radio board itself. BRD4343A does not contain a USB regulator, and setting the switch in the **USB** position will cause the SiWG917Y to be unpowered.

BAT position: With the switch in the BAT position, a 20 mm coin cell battery in the CR2032 socket can be used to power the device. With the switch in this position, no current measurements are active. This is the switch position that should be used when the radio board is powered with an external power source. The Wireless Pro Kit Mainboard (BRD4002A) features an additional 2-pin JST connector connected in parallel to the CR2032 socket that can be used with an external power source between 1.8 V and 3.6 V instead of a coin cell. The coin cell battery is not protected from reverse current, and it is therefore important to remove the coin cell battery from the CR2032 socket if applying external power.

Note: The current sourcing capabilities of a coin cell battery might be too low to supply certain wireless applications.

4.2 Kit Power

There are normally two main contributions to the power consumption from the mainboard USB connector, i.e., two main current paths:

- One being monitored by the AEM that goes to the target power domain (VMCU)
- One that goes to the board controller power domain

While the current consumption of the board controller section is fairly deterministic and stable, the current consumption connected to the target's power domain (VMCU) varies widely depending on the application and the slide switch position. Typically, the board controller power domain draws 250 mA on the Wireless Pro Kit Mainboard (BRD4002A). The mainboards use linear regulators, and the recommended input voltage is 4.4 - 5.25 V. Use a USB host or power supply and cables that can deliver at least the total amount of current required by the kit.

The 5V net exposed on the breakout pads, EXP header, and radio board is also sourced from the mainboard USB connector when the power select switch is in the AEM position. The 3V3 net exposed on the same peripherals is always sourced from the mainboard USB connector. The current consumption of these nets must be included in the total current consumption of the kit if these are utilized.

4.2.1 Board Controller Power

The board controller is responsible for important features, such as the debugger and the AEM, and is powered exclusively through the USB port in the top left corner of the board. This part of the kit resides on a separate power domain, so a different power source can be selected for the target device while retaining debugging functionality. This power domain is also isolated to prevent current leakage from the target power domain when power to the board controller is removed.

The board controller power domain is not influenced by the position of the power switch.

The kit has been carefully designed to keep the board controller and the target power domains isolated from each other as one of them powers down. This ensures that the target SiWG917Y device will continue to operate in the **BAT** mode.

4.2.2 AEM Power

The supply for the target power domain (VMCU) is a linear regulator integrated with the AEM described in Section 7. [Advanced Energy Monitor](#) when the power select switch is in the AEM position. The output voltage of the regulator can be adjusted between 1.8 V and 3.6 V on the Wireless Pro Kit Mainboard (BRD4002A) using the [admin console](#).

The output current on the Wireless Pro Kit Mainboard (BRD4002A) is limited by an overcurrent protection (OCP) function, which depends on the programmed VMCU voltage: $OCP (A) \approx VMCU_{SET} (V) \times 0.2 (A/V)$. Approaching or exceeding the OCP limit is not recommended as the output voltage will be pulled low, which causes loss of function.

4.3 Target Reset

The SiWG917Y SoC can be reset by a few different sources:

- A user pressing the RESET button
- The on-board debugger pulling the RESET pin low
- An external debugger pulling the RESET pin low

In addition to the reset sources mentioned above, a reset to the SiWG917Y will also be issued during board controller boot-up. This means that removing power to the board controller (unplugging the J-Link USB cable) will not generate a reset but plugging the cable back in will as the board controller boots up.

5. Peripherals

The Wireless Pro Kit has a set of peripherals that showcase some of the SiWG917Y features.

Note that most SiWG917Y I/Os routed to peripherals are also routed to the breakout pads or the EXP header, which must be taken into consideration when using these I/Os.

5.1 Push Buttons and LEDs

The kit has two user push buttons marked BTN0 and BTN1. They are connected directly to the SiWG917Y and are debounced by RC filters with a time constant of 1 ms.

The kit also features two yellow LEDs marked LED0 and LED1 that are controlled by GPIO pins on the SiWG917Y. The LEDs are active-high.

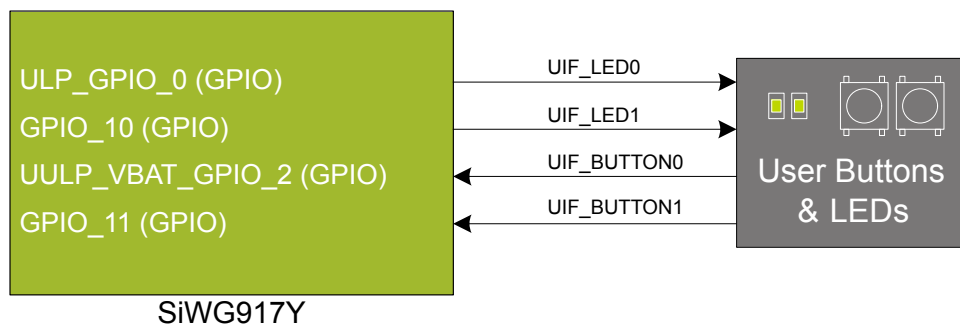


Figure 5.1. Buttons and LEDs

5.2 Memory LCD-TFT Display

A 1.28-inch SHARP Memory LCD-TFT is available on the kit to enable interactive applications to be developed. The display has a high resolution of 128 x 128 pixels and consumes very little power. It is a reflective monochrome display, so each pixel can only be light or dark, and no backlight is needed in normal daylight conditions. Data sent to the display is stored in the pixels on the glass, which means no continuous refreshing is required to maintain a static image.

The display interface consists of a SPI-compatible serial interface and some extra control signals. Pixels are not individually addressable, instead data is sent to the display one line (128 bits) at a time.

The Memory LCD-TFT display is shared with the kit's board controller, allowing the board controller application to display useful information when the user application is not using the display. The user application always controls ownership of the display with the DISP_ENABLE signal:

- DISP_ENABLE = LOW: The board controller has control of the display
- DISP_ENABLE = HIGH: The user application (SiWG917Y) has control of the display

Power to the display is sourced from the target application power domain when the SiWG917Y controls the display and from the board controller's power domain when the DISP_ENABLE line is low. Data is clocked in on DISP_SI when DISP_CS is high, and the clock is sent on DISP_SCLK. The maximum supported clock speed is 1.1 MHz.

DISP_EXTCOMIN is the "COM Inversion" line. It must be pulsed periodically to prevent static build-up in the display itself. Refer to the LS013B7DH03 documentation for more information on driving the display.

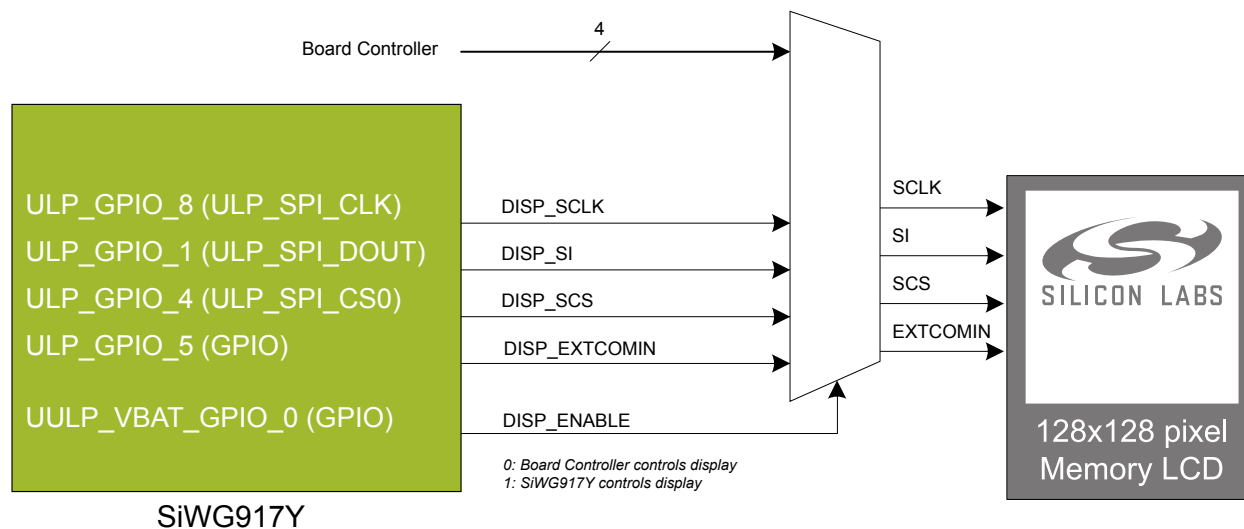


Figure 5.2. 128x128 Pixel Memory LCD

5.3 Si7021 Relative Humidity and Temperature Sensor

The Si7021 I²C relative humidity and temperature sensor is a monolithic CMOS IC integrating humidity and temperature sensor elements, an analog-to-digital converter, signal processing, calibration data, and an I²C Interface. The patented use of industry-standard, low-K polymeric dielectrics for sensing humidity enables the construction of low-power, monolithic CMOS Sensor ICs with low drift and hysteresis and excellent long term stability.

The humidity and temperature sensors are factory-calibrated and the calibration data is stored in the on-chip non-volatile memory. This ensures that the sensors are fully interchangeable with no recalibration or software changes required.

The Si7021 is available in a 3x3 mm DFN package and is reflow solderable. It can be used as a hardware and software-compatible drop-in upgrade for existing RH/temperature sensors in 3x3 mm DFN-6 packages, featuring precision sensing over a wider range and lower power consumption. The optional factory-installed cover offers a low-profile, convenient means of protecting the sensor during assembly (e.g., reflow soldering) and throughout the life of the product, excluding liquids (hydrophobic/oleophobic) and particulates.

The Si7021 offers an accurate, low-power, factory-calibrated digital solution ideal for measuring humidity, dew point, and temperature in applications ranging from HVAC/R and asset tracking to industrial and consumer platforms.

The I²C bus used for the Si7021 is shared with the EXP header. The temperature sensor is normally isolated from the I²C line. To use the sensor, SENSOR_ENABLE must be set high. When enabled, the sensor's current consumption is included in the AEM measurements.

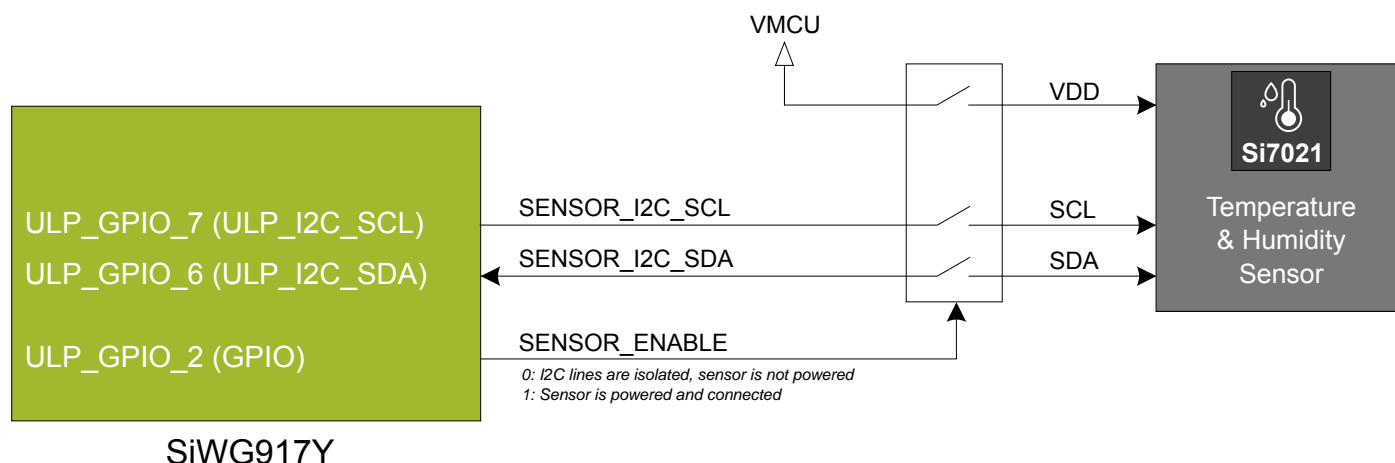


Figure 5.3. Si7021 Relative Humidity and Temperature Sensor

Refer to the Silicon Labs web pages for more information: <http://www.silabs.com/humidity-sensors>.

5.4 Virtual COM Port

An asynchronous serial connection to the board controller is provided for application data transfer between a host PC and the target SiWG917Y. This eliminates the need for an external serial port adapter.

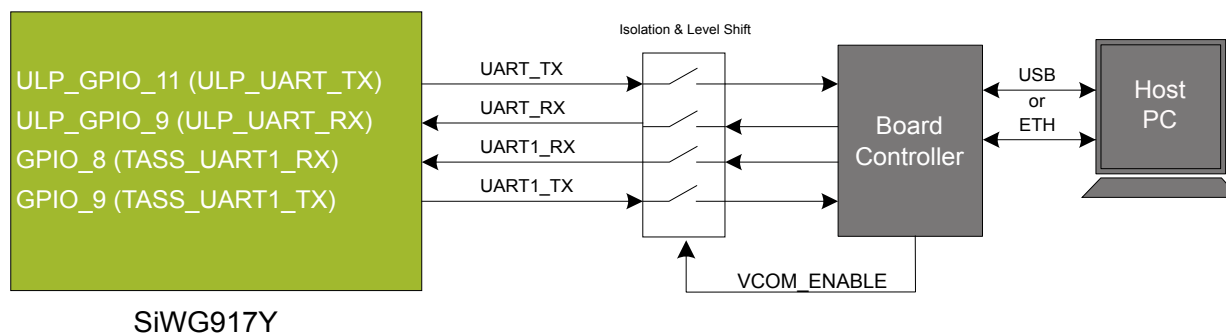


Figure 5.4. Virtual COM Port Interface

The virtual COM port consists of a physical UART between the target device and the board controller and a logical function in the board controller that makes the serial port available to the host PC over USB or Ethernet. The UART interface consists of four pins.

Table 5.1. Virtual COM Port Interface Pins

Signal	Description
UART_TX	Transmit data from the SiWG917Y to the board controller
UART_RX	Receive data from the board controller to the SiWG917Y
UART1_RX	Receive data from the board controller to the SiWG917Y
UART1_TX	Transmit data from the SiWG917Y to the board controller

The parameters of the serial port, such as baud rate, can be configured using the [admin console](#). The default settings depend on which radio board is used with the mainboard.

By default VCOM is connected to UART_TX/UART_RX. To connect it instead to UART1, run the following commands on the [admin console](#):

```
serial vcom config handshake aux
```

Note: The VCOM port is only available when the board controller is powered, which requires the J-Link USB cable to be inserted.

Note: The Wireless Pro Kit Mainboard firmware should be updated to v1.5.1. or newer.

5.4.1 Host Interfaces

Data can be exchanged between the board controller and the target device through the VCOM interface, which is then available to the user as a Virtual COM port using a standard USB-CDC driver.

When connecting via USB, the device should automatically show up as a COM port. The actual device name that is associated with the kit depends on the operating system and how many devices are or have been connected previously. The following are examples of what the device might show up as:

- JLink CDC UART Port (COM5) on Windows hosts
- /dev/cu.usbmodem1411 on macOS
- /dev/ttyACM0 on Linux

Data sent by the target device into the VCOM interface can be read from the COM port. Data written into the VCOM interface by the target device can be read from the socket, and data written into the socket is transmitted to the target device.

5.4.2 Serial Configuration

By default, the VCOM serial port is configured to use 115200 8N1 (115.2 kbit/s, 8 data bits, 1 stop bit) with flow control disabled/ignored. The configuration can be changed using the admin console:

```
WPK> serial vcom config  
Usage: serial vcom config [--nostore] [handshake <rts/cts/rtscts/aux/disable/auto>] [speed <9600,3686400>]
```

Using this command, the baud rate can be configured between 9600 and 921600 bit/s, and hardware handshake can be enabled or disabled on either or both flow control pins.

6. Board Controller

6.1 Introduction

The Wireless Pro Kit Mainboard contains a dedicated microcontroller for some of the advanced kit features provided. This microcontroller is referred to as the board controller and is not programmable by the user. The board controller acts as an interface between the host PC and the target device on the radio board, as well as handling some housekeeping functions on the board.

Note: This chapter describes the board controller on the Wireless Pro Kit Mainboard.

Some of the kit features actively managed by the board controller are:

- The [on-board debugger](#), which can flash and debug both on-board and external targets.
- The [Advanced Energy Monitor](#), which provides real-time energy profiling of the user application.
- The [logic analyzer](#), which can capture digital signals time-synchronized to the energy profiling and packet trace data.
- The [and interfaces](#), which provide ways to transfer application data between the host PC and the target processor.
- The [admin console](#), which provides configuration of the various board features.

Silicon Labs publishes updates to the board controller firmware in the form of firmware upgrade packages. These updates may enable new features or fix issues. See [Section 9.1 Firmware Upgrades](#) for details on firmware upgrade.

6.2 Admin Console

The admin console is a command line interface to the board controller on the kit. It provides functionality for configuring the kit behavior and retrieving configuration and operational parameters.

6.2.1 Connecting

The admin console is available when the Wireless Pro Kit is connected to Ethernet using the Ethernet connector in the top left corner of the mainboard. See [Section 8.1.2 Ethernet Interface](#) for details on the Ethernet connectivity.

Connect to the admin console by opening a telnet connection to the kit's IP address, port number 4902.

When successfully connected, a `WPK>` prompt is displayed.

6.2.2 Built-in Help

The admin console has a built-in help system which is accessed by the `help` command. The `help` command will print a list of all top level commands:

```
WPK> help
***** Root commands *****
aem          AEM Configuration and Information Commands [ avg, calibrate, calinfo ]
boardid      Commands for board ID probe. [ list, probe ]
dbg          Debug interface status and control [ info, mode ]
dch          Datachannel control and info commands [ info, message ]
discovery    Discovery service commands. [ key ]
net          Network commands. [ dnslookup, ip, mac ]
pti          Packet trace interface status and control [ config, disable, dump, ... ]
quit         Exit from shell
serial       Serial channel commands [ vcom ]
sys          System commands [ crashlog, nickname, reset, ... ]
target       Target commands. [ button, go, halt, ... ]
time         Time Sync Service commands [ client, disable, info, ... ]
user         User management functions [ login,]
```

The `help` command can be used in conjunction with any top level command to get a list of sub-commands with descriptions. For example, `pti help` will print a list of all available sub-commands of `pti`:

```
WPK> pti help
***** pti commands *****
config       Configure packet trace
disable      Disable packet trace
dump         Dump PTI packets to the console as they come
enable       Enable packet trace
info         Packet trace state information
```

This means that running `pti enable` will enable packet trace.

6.2.3 Command Examples

PTI Configuration

```
pti config 0 efruart 1600000
```

Configures PTI to use the "EFRUART" mode at 1.6 Mb/s.

Serial Port Configuration

```
serial config vcom handshake enable
```

Enables hardware handshake on the VCOM UART connection.

7. Advanced Energy Monitor

7.1 Introduction

Any embedded developer seeking to make their embedded code spend as little energy as the underlying architecture supports needs tools to easily and quickly discover inefficiencies in the running application. This is what the Simplicity Energy Profiler is designed to do. In real-time, the Energy Profiler will graph and log current as a function of time while correlating this to the actual target application code running on the SiWG917Y. There are multiple features in the profiler software that allow for easy analysis, such as markers and statistics on selected regions of the current graph or aggregate energy usage by different parts of the application. The Energy Profiler is available through Simplicity Studio.

7.2 Code Correlation

By using the Energy Profiler, current consumption and voltage can be measured and linked to the actual code running on the SiWG917Y in real-time. The Energy Profiler gets its data from the board controller on the mainboard through the Advanced Energy Monitor (AEM). The current signal is combined with the target processor's Program Counter (PC) sampling by utilizing a feature of the ARM CoreSight debug architecture, and the Instrumentation Trace Macrocell (ITM) block can be programmed to sample the MCU's PC at periodic intervals and output these over SWO pin ARM devices. When these two data streams are fused and correlated with the running application's memory map, an accurate statistical profile can be built that shows the energy profile of the running application in real-time.

7.3 AEM Circuit

The AEM circuit on the Wireless Pro Kit Mainboard (BRD4002A) measures the current through a sense resistor inside the feedback loop of a low-dropout regulator (LDO). The output voltage of this LDO powers the SiWG917Y when the power slide switch is in the AEM position. The AEM implementation on the Wireless Pro Kit Mainboard (BRD4002A) is shown in the figure below.

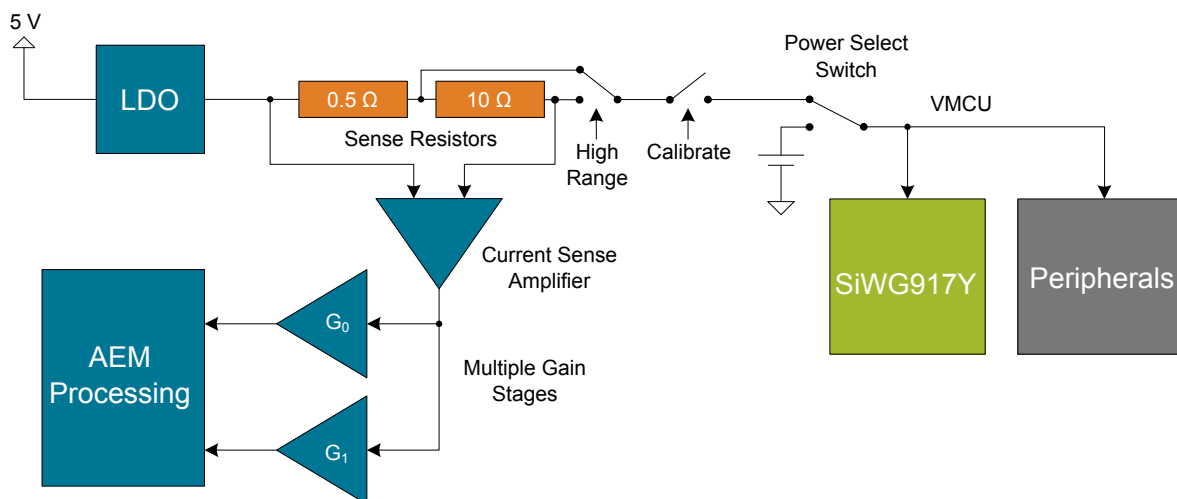


Figure 7.1. Advanced Energy Monitor On The Wireless Pro Kit Mainboard (BRD4002A)

Note: The VMCU regulator feedback point is after the sense resistor to ensure that the VMCU voltage is kept constant when the output current changes. Series resistances in the current path will, however, cause some IR drop on VMCU.

Note: The AEM circuit only works when the kit is powered and the power switch is in the AEM position.

7.3.1 AEM Details

The AEM is summarized in the table below with more in-depth information given in the text to follow.

Table 7.1. Advanced Energy Monitor Parameters

Parameter	BRD4002A
Voltage	1.8 - 3.6 V
Sample Rate	100 kHz
Sense Resistor	10.5 Ω / 0.5 Ω
Measurement Range ¹	0 - 495 mA
Note:	
1. The current sourcing capabilities of the LDO may be different than the measurement range.	

Wireless Pro Kit Mainboard (BRD4002A) AEM Design Details

The AEM circuitry on the Wireless Pro Kit Mainboard is capable of measuring current signals in the range of approximately 0.1 μ A to 495 mA. This is accomplished through a combination of a highly capable current sense amplifier, multiple sense resistors and gain stages, and signal processing within the kit's board controller before the current sense signal is read by a host computer with 100 kHz sample rate for display and/or storage. Averaging on the output data may be required to achieve sufficient accuracy in some situations, such as low currents, which can be traded for lower bandwidth. High current applications require that the regulator is able to supply enough current as described in Section [4.2 Kit Power](#).

At low currents the current sense amplifier measures the voltage drop over a 10.5 Ω resistive path. The gain stage further amplifies this voltage with two different parallel gain settings to obtain two current ranges. The transition between these two ranges occurs around 150 μ A. When the current exceeds a threshold, which is typically between 10 and 30 mA, the AEM circuitry switches from the 10.5 Ω resistive path to a 0.5 Ω sense resistor and is now capable of measuring currents up to approximately 495 mA. Should the current drop below the threshold again, the sense resistor is changed back to the 10.5 Ω resistive path and the AEM is back to using two different gain stages depending on whether the current is above or below 150 μ A.

The expected typical accuracy of the AEM on the Wireless Pro Kit Mainboard is within 1 %, except for currents in the low tens of microamps where offset errors start to dominate. In this low current region, the expected typical accuracy is some hundred nanoamps. At kit power-up or on a power-cycle, an automatic AEM calibration is performed which compensates for offset errors in the current sense amplifiers. To achieve the stated accuracy, averaging of the AEM output data is required in certain situations (typically at low currents and close to the bottom of the measurement ranges) to reduce noise. Averaging can be applied in Energy Profiler to suit different requirements during or after the acquisition. The analog bandwidth of the measurement circuit depends on multiple factors, such as output current and capacitance on the VMCU net, and may be lower than the output data rate. Generally, higher output current and lower capacitance on VMCU gives a higher analog bandwidth.

8. On-Board Debugger

The Wireless Pro Kit Mainboard contains an integrated debugger, which can be used to download code and debug the SiWG917Y. In addition to programming a target on a plug-in radio board, the debugger can also be used to program and debug external Silicon Labs EFM32, EFM8, EZR32, and EFR32 devices connected through the debug connector.

The debugger supports three different debug interfaces for Silicon Labs devices:

- Serial Wire Debug is supported by all EFM32, EFR32, and EZR32 devices
- JTAG is supported by EFR32 and some EFM32 devices
- C2 Debug is supported by EFM8 devices

For debugging to work properly, make sure the selected debug interface is supported by the target device. The debug connector on the board supports all three of these modes.

8.1 Host Interfaces

The Wireless Pro Kit supports connecting to the on-board debugger using either Ethernet or USB.

Many tools support connecting to a debugger using either USB or Ethernet. When connected over USB, the kit is identified by its J-Link serial number. When connected over Ethernet, the kit is normally identified by its IP address. Some tools also support using the serial number when connecting over Ethernet; however, this typically requires the computer and the kit to be on the same subnet for the discovery protocol (using UDP broadcast packets) to work.

8.1.1 USB Interface

The USB interface is available whenever the USB connector on the left-hand side of the mainboard is connected to a computer.

8.1.2 Ethernet Interface

The Ethernet interface is available when the mainboard Ethernet connector in the top left corner is connected to a network. Normally, the kit will receive an IP address from a local DHCP server, and the IP address is printed on the LCD display. If your network does not have a DHCP server, you need to connect to the kit via USB and set the IP address manually using Simplicity Studio, Simplicity Commander, or J-Link Configurator.

For the Ethernet connectivity to work, the kit must still be powered through the mainboard USB connector.

8.1.3 Serial Number Identification

All Silicon Labs kits have a unique J-Link serial number which identifies the kit to PC applications. This number is 9 digits and is normally on the form 44xxxxxxxx.

The J-Link serial number is normally printed at the bottom of the kit LCD display.

8.2 Debug Modes

The kit can be used in various debug modes as explained in this chapter. The on-board debugger can be used to debug the SiWG917Y on the radio board, or it can be used to debug a supported external target board using either the debug connector or the Mini Simplicity Connector. An external debugger can furthermore be used to debug the SiWG917Y on the radio board using the debug connector. Selecting the active debug mode is done in Simplicity Studio.

Debug MCU: In this mode, the on-board debugger is connected to the SiWG917Y on the kit. To use this mode, set the debug mode to **[MCU]**.

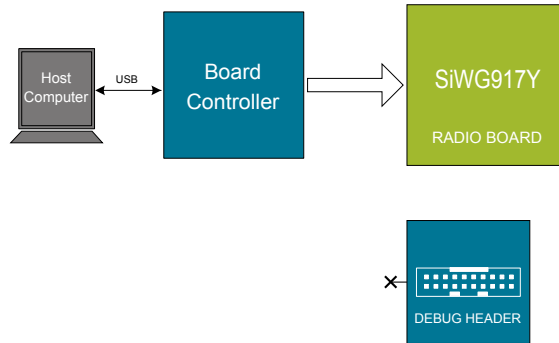


Figure 8.1. Debug MCU

Debug OUT: In this mode, the on-board debugger can be used to debug a supported Silicon Labs device mounted on a custom board using the debug connector. To use this mode, set the debug mode to **[Out]**.

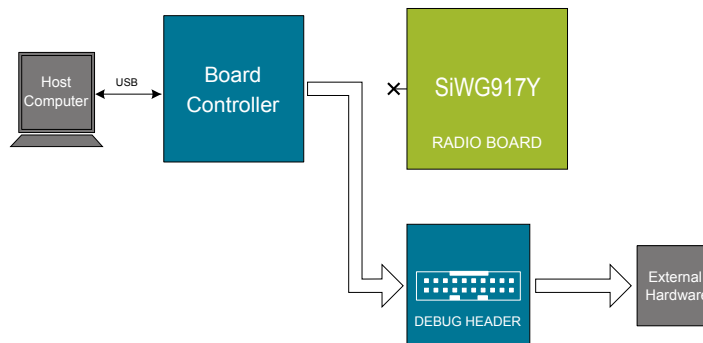


Figure 8.2. Debug OUT

Debug IN: In this mode, the on-board debugger is disconnected and an external debugger can be used to debug the SiWG917Y on the kit over the debug connector. To use this mode, set the debug mode to **[In]**.

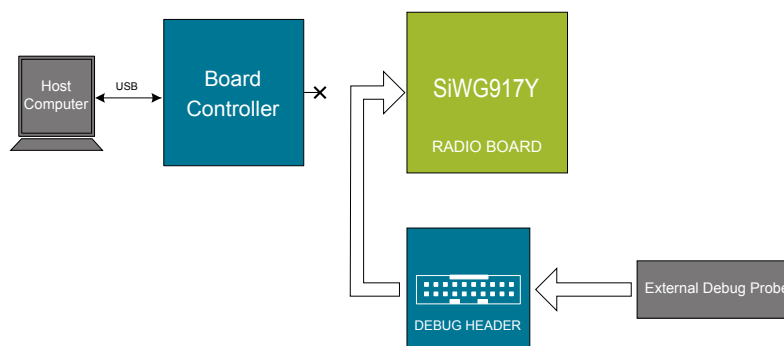


Figure 8.3. Debug IN

Note: For "Debug IN" to work, the kit board controller must be powered through the Debug USB connector.

Debug MINI: The Wireless Pro Kit mainboard features a dedicated Mini Simplicity Connector on the board. In this mode, the on-board debugger can be used to debug a supported Silicon Labs device mounted on a custom board over Serial Wire Debug. Virtual COM port is also available in this mode. To use this mode, set the debug mode to **[Mini]**.

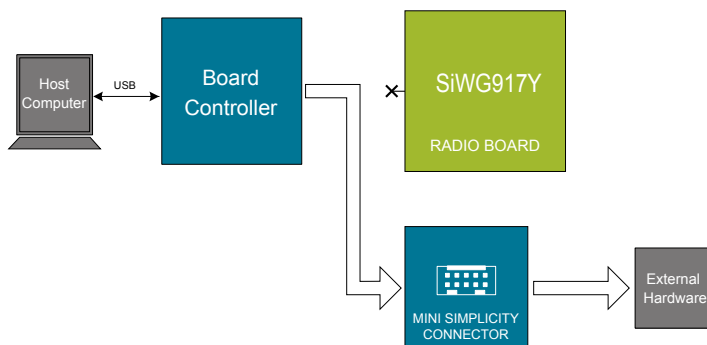


Figure 8.4. Mini Out

8.3 Debugging During Battery Operation

When the SiWG917Y is battery-powered and the J-Link USB is still connected, the on-board debug functionality is available. If the USB power is disconnected, the Debug IN mode will stop working.

If debug access is required when the target is running off another energy source, such as a battery, and the board controller is powered down, make direct connections to the GPIOs used for debugging, which are exposed on the breakout pads.

9. Kit Configuration and Upgrades

The kit configuration dialog in Simplicity Studio allows you to change the J-Link adapter debug mode, upgrade its firmware, and change other configuration settings. To download Simplicity Studio, go to silabs.com/simplicity.

In the main window of the Simplicity Studio's Launcher perspective, the debug mode and firmware version of the selected J-Link adapter are shown. Click the [**Change**] link next to any of these settings to open the kit configuration dialog.

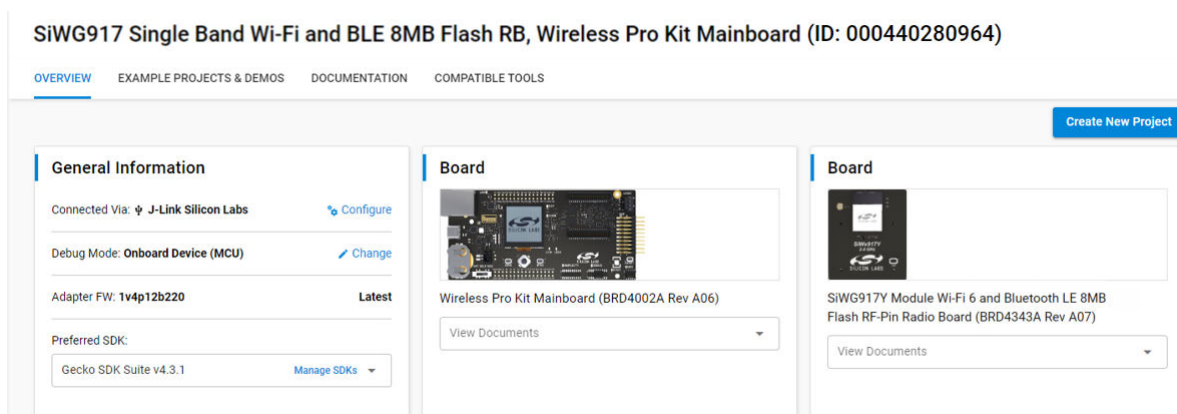


Figure 9.1. Simplicity Studio Kit Information

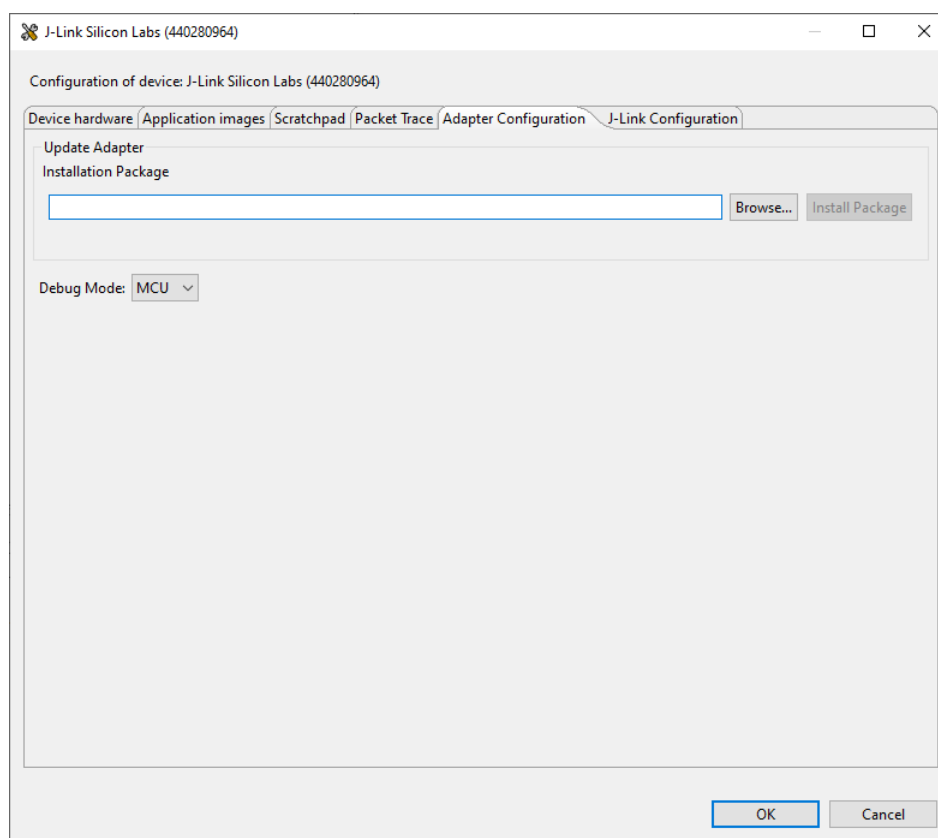


Figure 9.2. Kit Configuration Dialog

9.1 Firmware Upgrades

You can upgrade the kit firmware through Simplicity Studio. Simplicity Studio will automatically check for new updates on startup.

You can also use the kit configuration dialog for manual upgrades. Click the [**Browse**] button in the [**Update Adapter**] section to select the correct file ending in `.emz`. Then, click the [**Install Package**] button.

10. Schematics, Assembly Drawings, and BOM

Schematics, assembly drawings, and Bill of Materials (BOM) are available through Simplicity Studio when the kit documentation package has been installed. They are also available from the kit page on the Silicon Labs website: silabs.com.

11. Kit Revision History

The kit revision can be found printed on the kit packaging label, as outlined in the figure below. The revision history given in this section may not list every kit revision. Revisions with minor changes may be omitted.

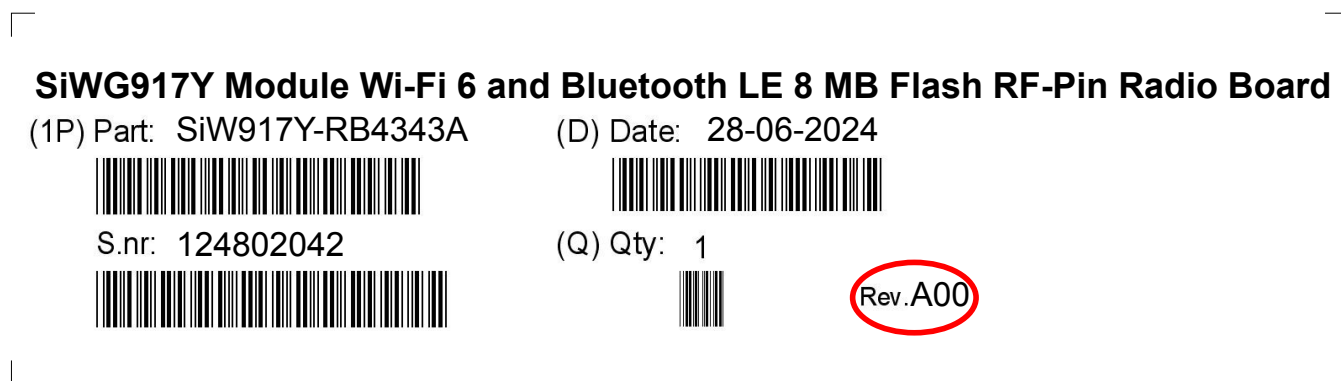


Figure 11.1. Kit Label

11.1 SiW917Y-PK6140A Revision History

Kit Revision	Released	Description
A00	29 March 2024	Initial kit release.

11.2 SiW917Y-RB4343A Revision History

Kit Revision	Released	Description
A02	23 May 2024	Updated packaging and added a UFL antenna.
A01	16 May 2024	Kit revised due to BRD4343A updated to A06.
A00	29 March 2024	Initial kit release.

12. Document Revision History

Revision 1.00

September 2024

- Initial document release.

Simplicity Studio

One-click access to MCU and wireless tools, documentation, software, source code libraries & more. Available for Windows, Mac and Linux!



IoT Portfolio
www.silabs.com/IoT



SW/HW
www.silabs.com/simplicity



Quality
www.silabs.com/quality



Support & Community
www.silabs.com/community

Disclaimer

Silicon Labs intends to provide customers with the latest, accurate, and in-depth documentation of all peripherals and modules available for system and software implementers using or intending to use the Silicon Labs products. Characterization data, available modules and peripherals, memory sizes and memory addresses refer to each specific device, and "Typical" parameters provided can and do vary in different applications. Application examples described herein are for illustrative purposes only. Silicon Labs reserves the right to make changes without further notice to the product information, specifications, and descriptions herein, and does not give warranties as to the accuracy or completeness of the included information. Without prior notification, Silicon Labs may update product firmware during the manufacturing process for security or reliability reasons. Such changes will not alter the specifications or the performance of the product. Silicon Labs shall have no liability for the consequences of use of the information supplied in this document. This document does not imply or expressly grant any license to design or fabricate any integrated circuits. The products are not designed or authorized to be used within any FDA Class III devices, applications for which FDA premarket approval is required or Life Support Systems without the specific written consent of Silicon Labs. A "Life Support System" is any product or system intended to support or sustain life and/or health, which, if it fails, can be reasonably expected to result in significant personal injury or death. Silicon Labs products are not designed or authorized for military applications. Silicon Labs products shall under no circumstances be used in weapons of mass destruction including (but not limited to) nuclear, biological or chemical weapons, or missiles capable of delivering such weapons. Silicon Labs disclaims all express and implied warranties and shall not be responsible or liable for any injuries or damages related to use of a Silicon Labs product in such unauthorized applications.

Trademark Information

Silicon Laboratories Inc.[®], Silicon Laboratories[®], Silicon Labs[®], SiLabs[®] and the Silicon Labs logo[®], Bluegiga[®], Bluegiga Logo[®], EFM[®], EFM32[®], EFR, Ember[®], Energy Micro, Energy Micro logo and combinations thereof, "the world's most energy friendly microcontrollers", Redpine Signals[®], WiSeConnect, n-Link, EZLink[®], EZRadio[®], EZRadioPRO[®], Gecko[®], Gecko OS, Gecko OS Studio, Precision32[®], Simplicity Studio[®], Telegesis, the Telegesis Logo[®], USBXpress[®], Zentri, the Zentri logo and Zentri DMS, Z-Wave[®], and others are trademarks or registered trademarks of Silicon Labs. ARM, CORTEX, Cortex-M3 and THUMB are trademarks or registered trademarks of ARM Holdings. Keil is a registered trademark of ARM Limited. Wi-Fi is a registered trademark of the Wi-Fi Alliance. All other products or brand names mentioned herein are trademarks of their respective holders.



Silicon Laboratories Inc.
400 West Cesar Chavez
Austin, TX 78701
USA

www.silabs.com